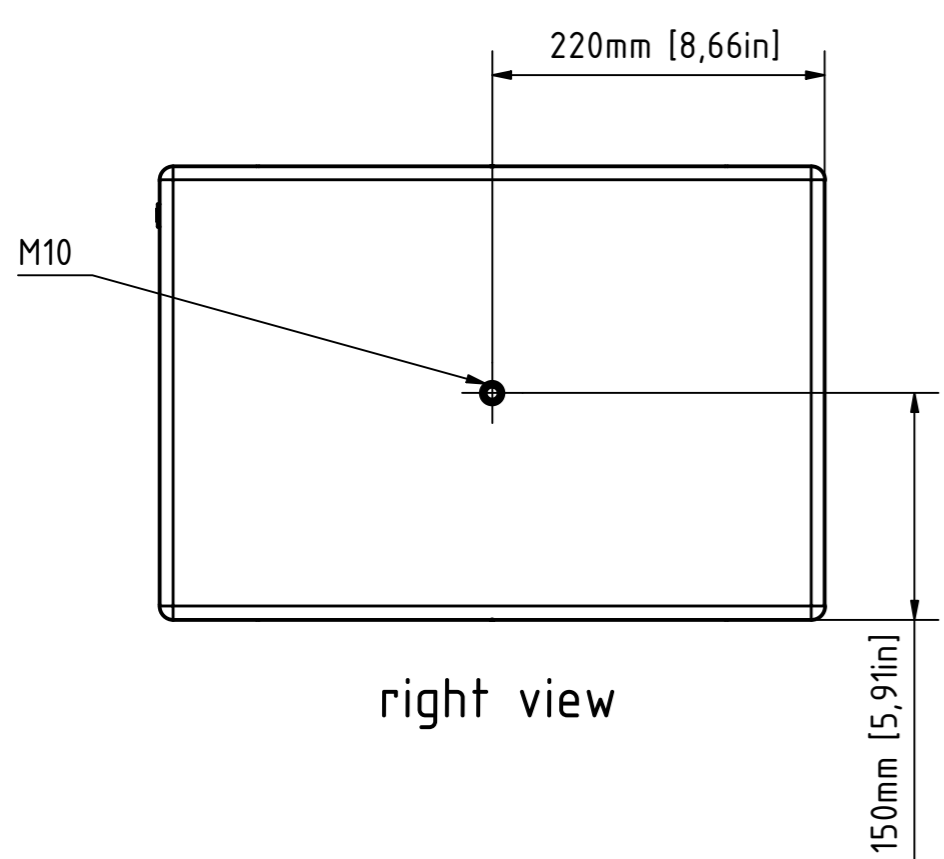


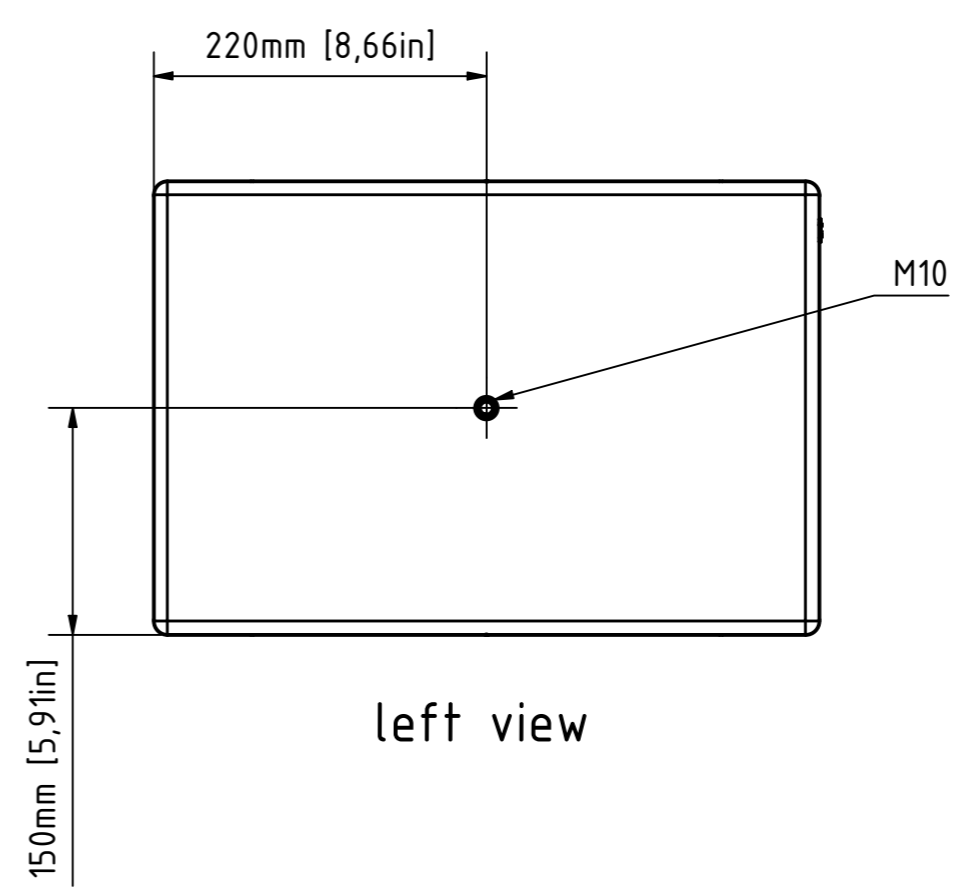
bottom view



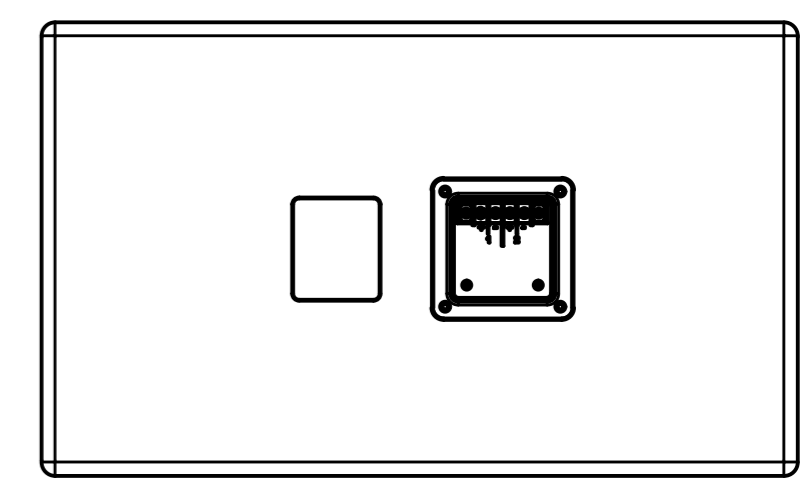
right view



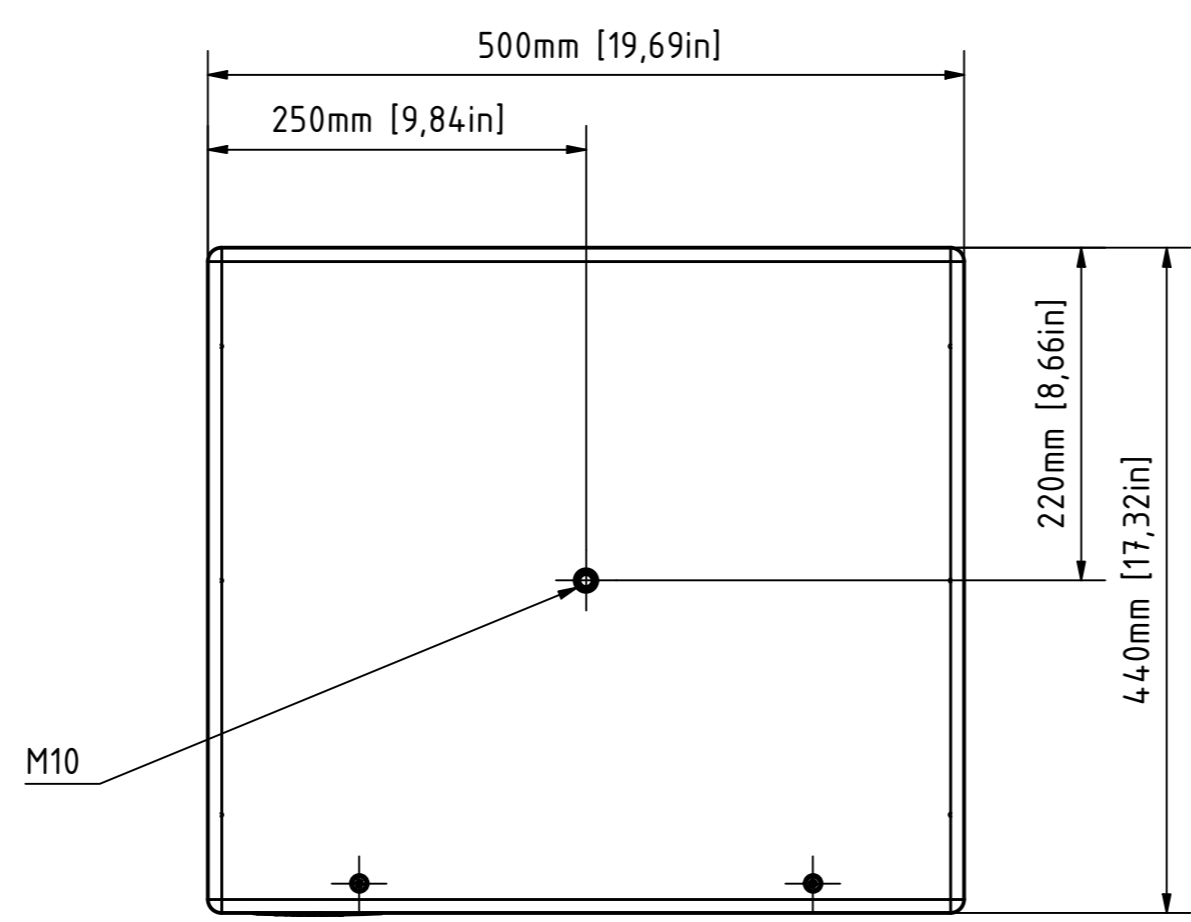
front view



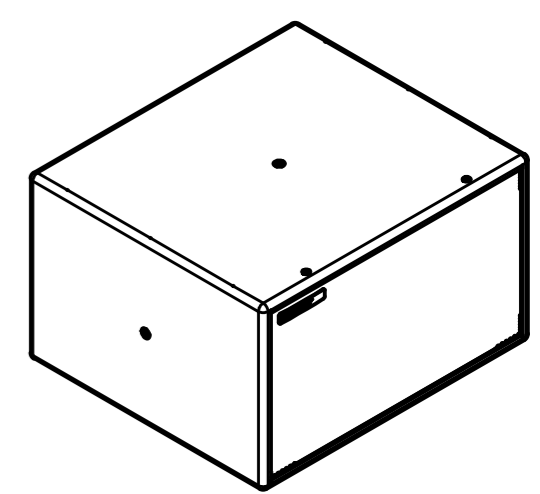
left view



rear view



top view



1	Address modified	08.12.2021	Heike Konrad
rev. no.	description	date	modified by
<b>revision process</b>			
<b>TWAUDIO</b> Karl-Hofer-Str. 42 14163 Berlin www.twaudio.de		scale: 1:5 (1:10)	
All rights to this drawing reserved in accordance with ISO 16016. Copying and distribution by manufacturer's permission only.		weight: 16.1 kg [36 lbs]	
general tolerance ISO 2768-mK ISO 13920-BF ISO 9013-IIA/K according to ISO 8015		document type: overview drawing	order number: 4565
edges according to ISO 13715 surfaces (Ra) array 2 array 3 DIN ISO 1302		status type: released	type: B10i
		drawn: 02.05.2017 Heike Konrad	
		checked: 08.12.2021 Heike Konrad	revision no: 1
		approved: 08.12.2021 Heike Konrad	sheet: 1/1
		drawing number: TWA-B10i-0001	Az