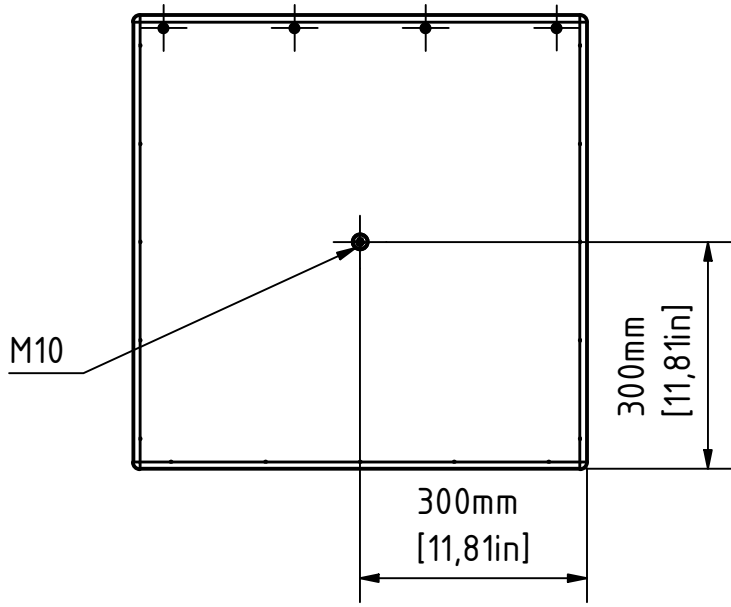
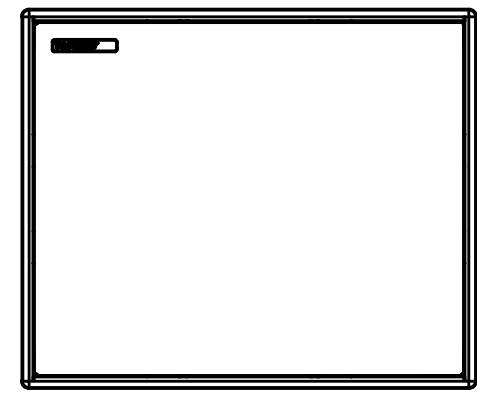


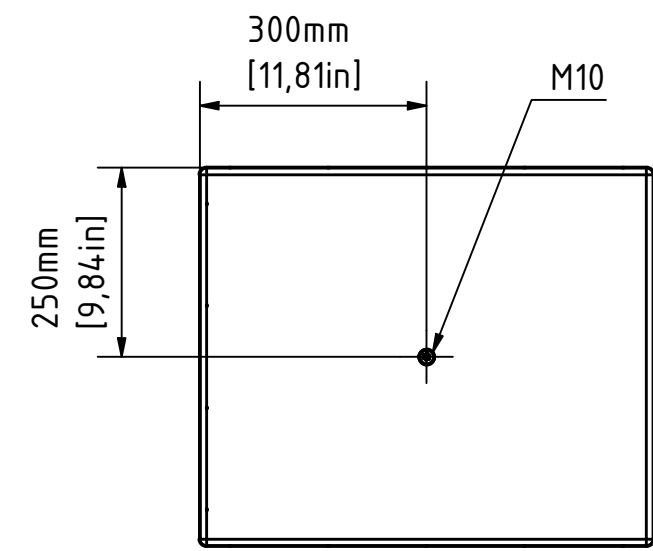
right view



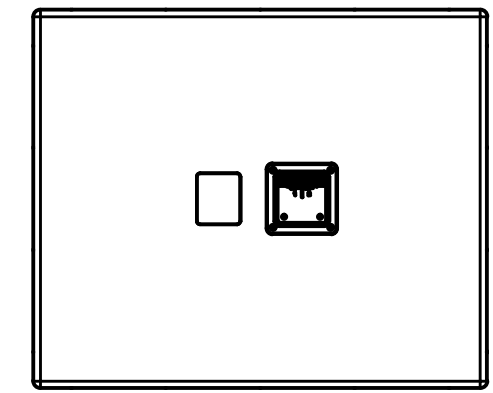
bottom view



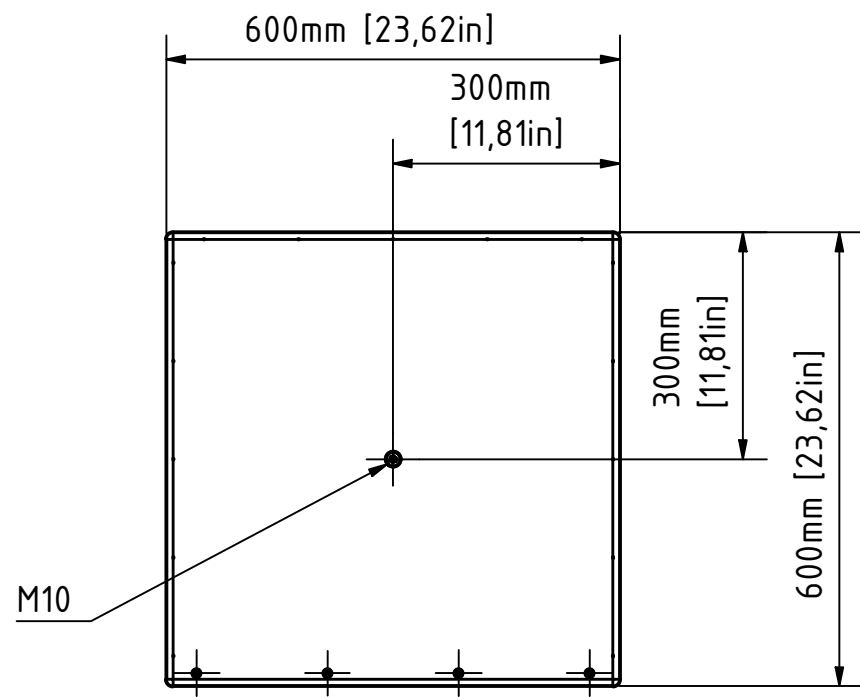
front view



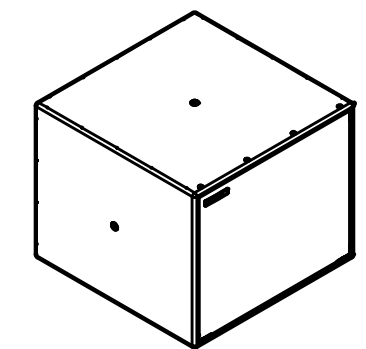
left view



rear view



top view



1	Adress modified	08.12.2021	Heike Konrad
rev. no.	description	date	modified by
<b>revision process</b>			
<b>TWAUDIO®</b> Karl-Hofer-Str. 42 14163 Berlin www.twaudio.de		scale:	
		weight:	34,0 kg [75 lbs]
All rights to this drawing reserved in accordance with ISO 16016. Copying and distribution by manufacturer's permission only.		document type:	overview drawing
		order number:	4826
general tolerance ISO 2768-mK ISO 13920-BF ISO 9013-IIA/K according to ISO 8015		status type:	released
		type:	B17i
edges according to ISO 13715 surfaces (Ra) array 2 array 3 DIN ISO 1302		constructed:	12.04.2017 B. Letzgas
		drawn:	22.11.2017 Heike Konrad
C:\CAD_TW_AUDIO\CAD-Daten\Produkte\B17\B17_kpl.tam		checked:	
		approved:	08.12.2021 Heike Konrad
		drawing number:	<b>TWA-B17i-0001</b>
		revision no.:	<b>1</b>
		sheet:	<b>1   1</b> A3