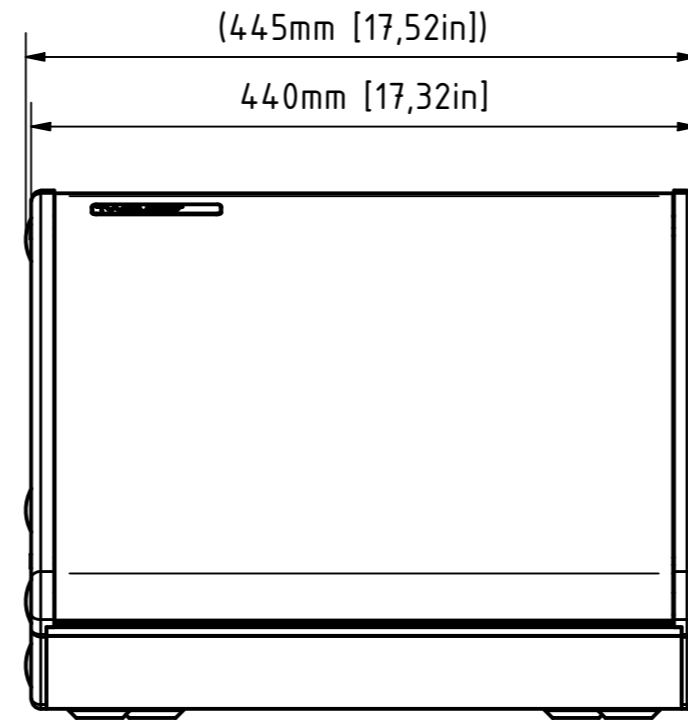
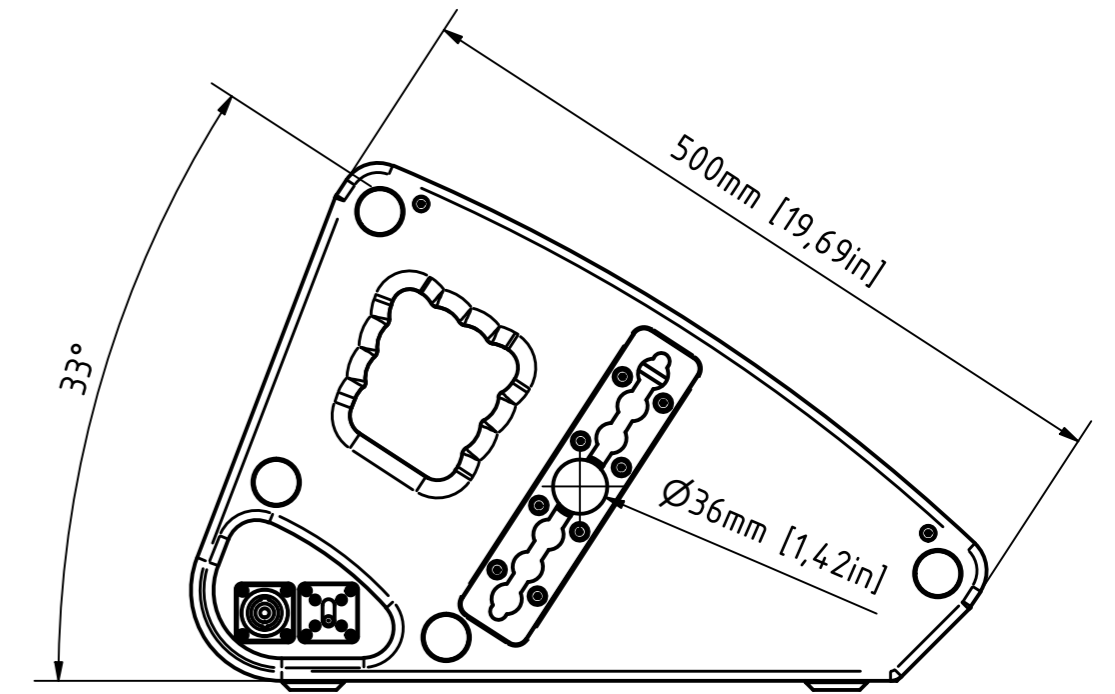


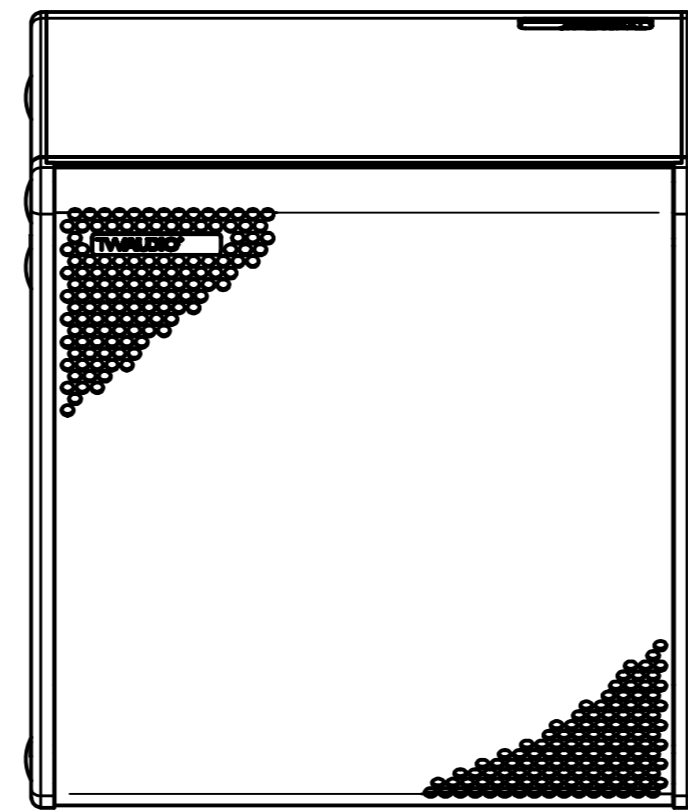
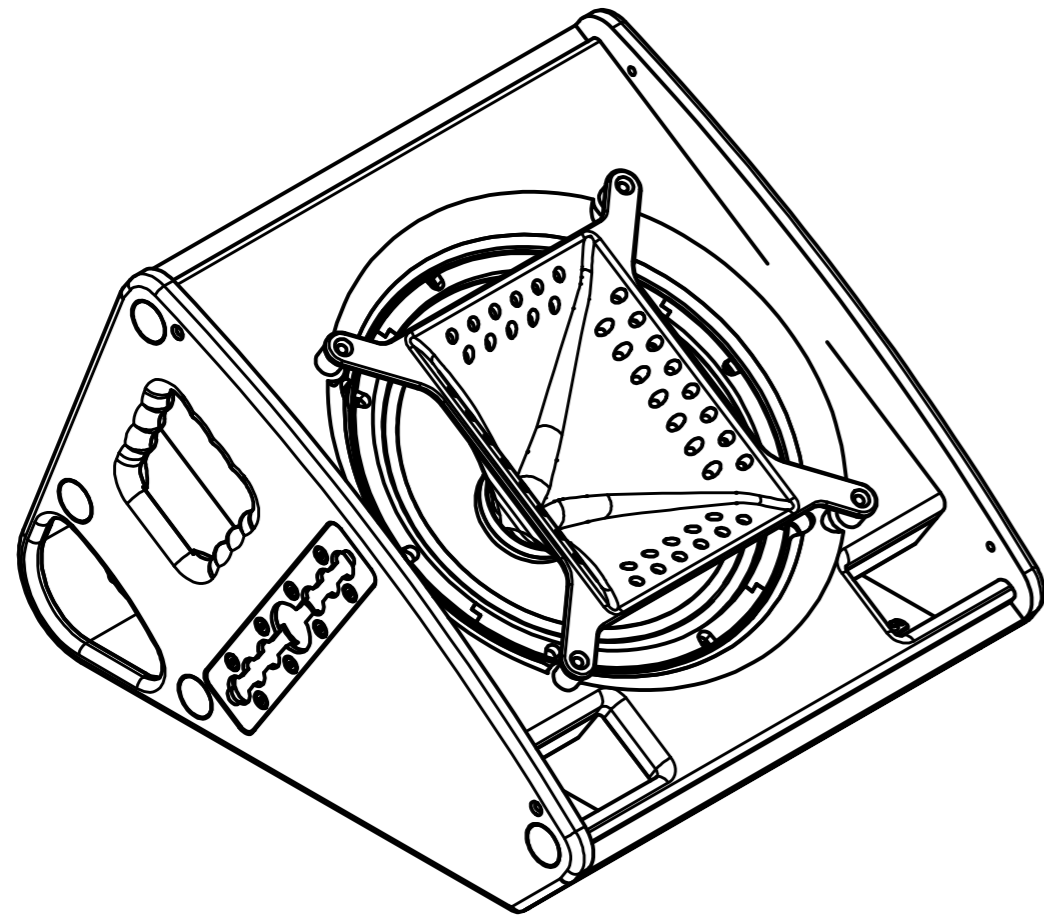
right view



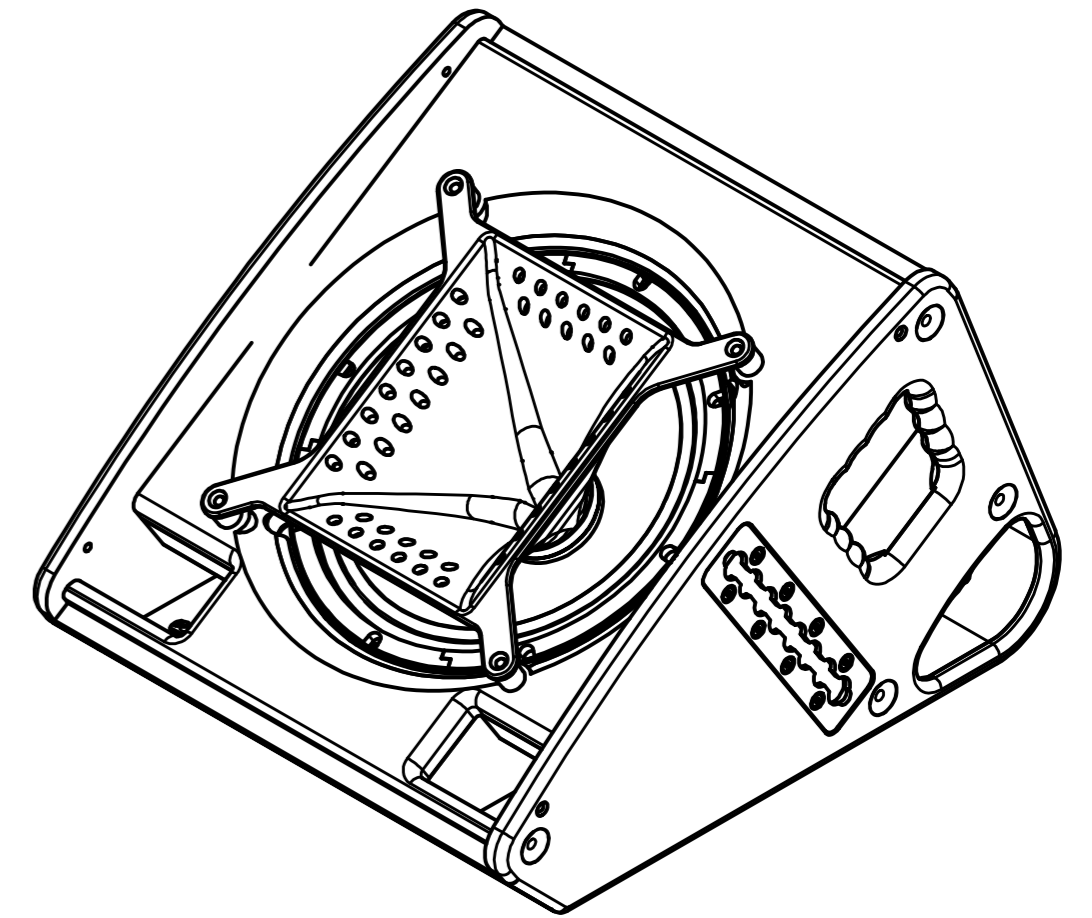
front view



left view



top view



1	Address modified		08.12.2021	Heike Konrad
rev. no.		description	date	modified by
<b>revision process</b>				
<b>TWAUDIO®</b>		scale:		
Karl-Hofer-Str. 42 14163 Berlin www.twaudio.de		weight:	21 kg [47 lbs]	
All rights to this drawing reserved in accordance with ISO 16016. Copying and distribution by manufacturer's permission only.		document type:	overview drawing	
general tolerance ISO 2768-mK ISO 13920-BF ISO 9013-IIA/K according to ISO 8015		status type:	released	
edges according to ISO 13715 surfaces (Ra) array 2 array 3 DIN ISO 1302		date	C12	
		name	C12	
		constructed	27.02.2013 Stefan Ullrich	
		drawn	09.12.2013 Stefan Ullrich	
		checked:		
		approved	08.12.2021 Heike Konrad	
		drawing number:	TWA-C12-0001	
			revision no:	1
			sheet:	1   1
			Az	