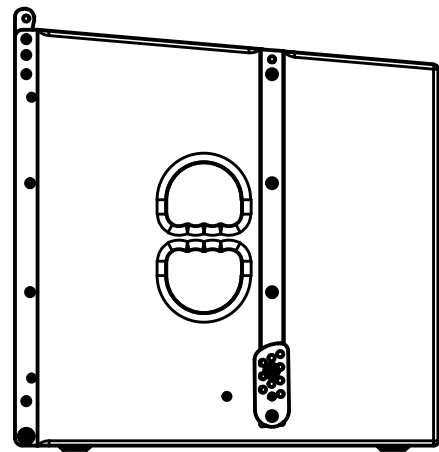
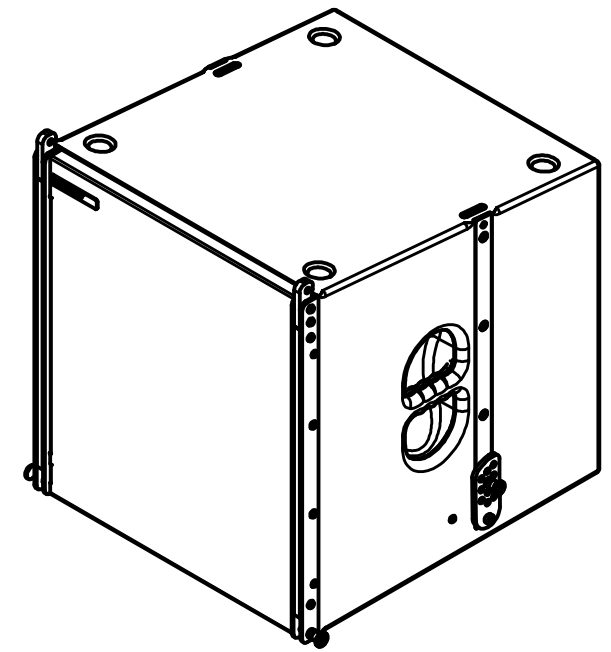
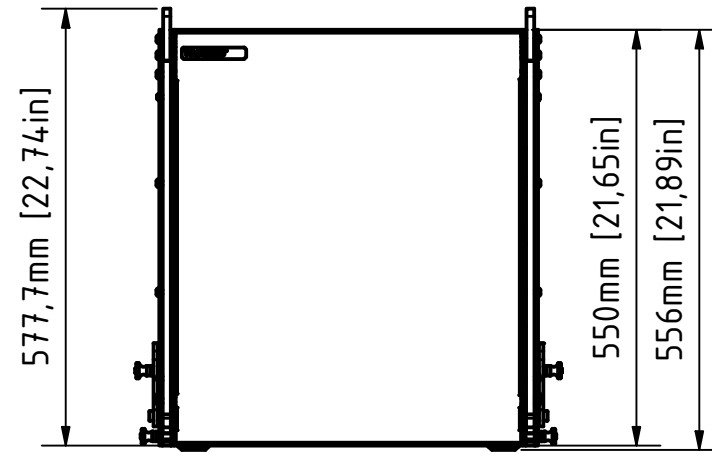


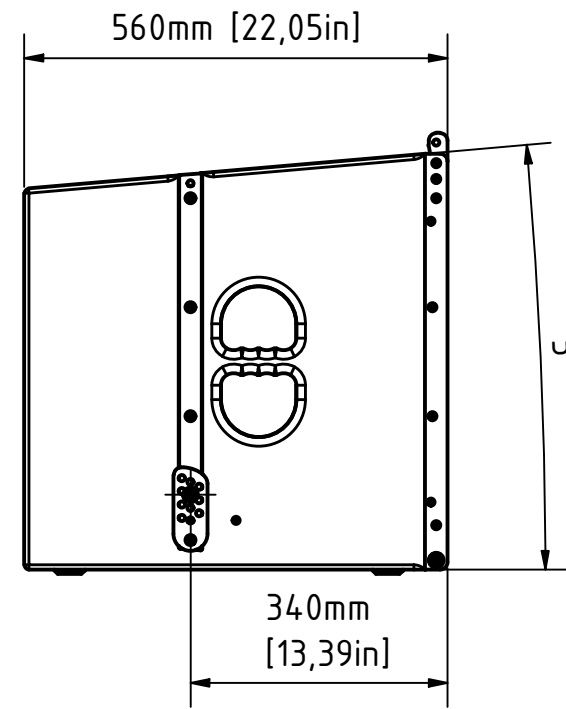
bottom view



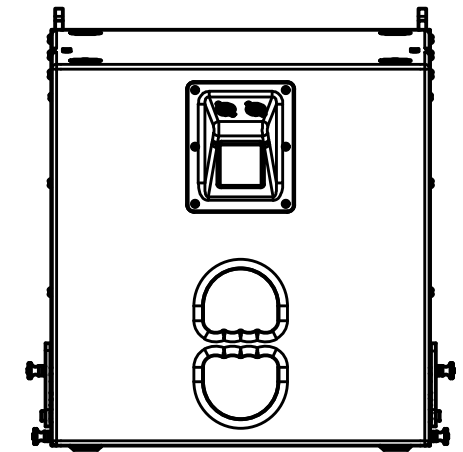
right view



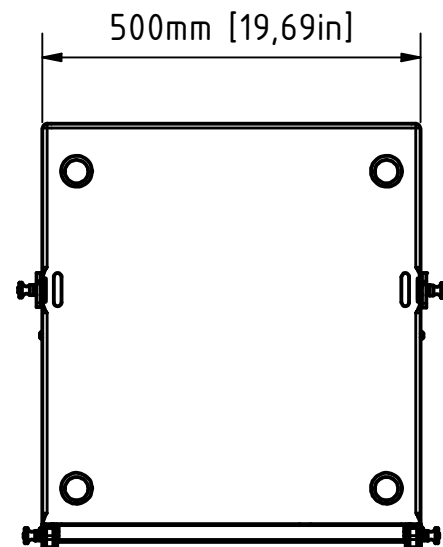
front view



left view



rear view



top view

1	Adress modified;	21.03.2022	Heike Konrad
Rev.	Beschreibung	Datum	Geändert von
REVISIONSVERLAUF			
TWAUDIO Karl-Hofer-Str. 42 14163 Berlin www.twaudio.de	scale: 1:10		
	weight: 33,6 kg [75 lbs]		
All rights to this drawing reserved in accordance with ISO 16016. Copying and distribution by manufacturer's permission only.	document type: overview drawing	order number:	
	status type: released	L24	
general tolerance: ISO 2768-mK	edges according to ISO 13715	date	name
ISO 13920-BF	surfaces (Ra)	constructed: 25.09.2009	Stefan Ullrich
ISO 9013-IIA/K	array 2	drawn: 16.04.2010	Stefan Ullrich
according to ISO 8015	array 3	checked:	
	DIN ISO 1302	approved: 21.03.2022	Heike Konrad
drawing number: TWA-L24-0001		revision no.:	sheet:
		1	1
			A3