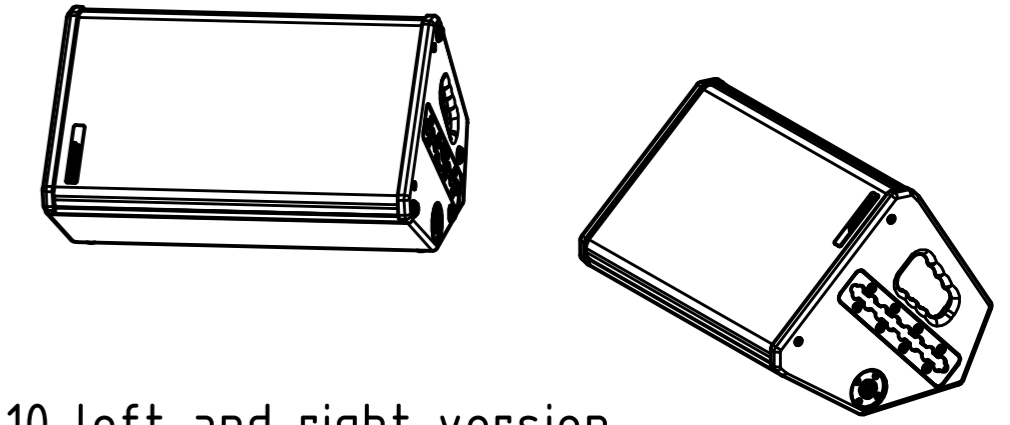
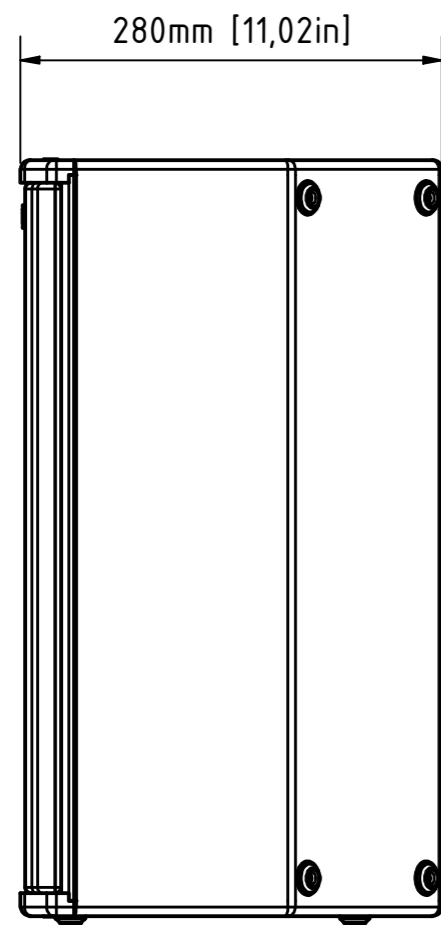


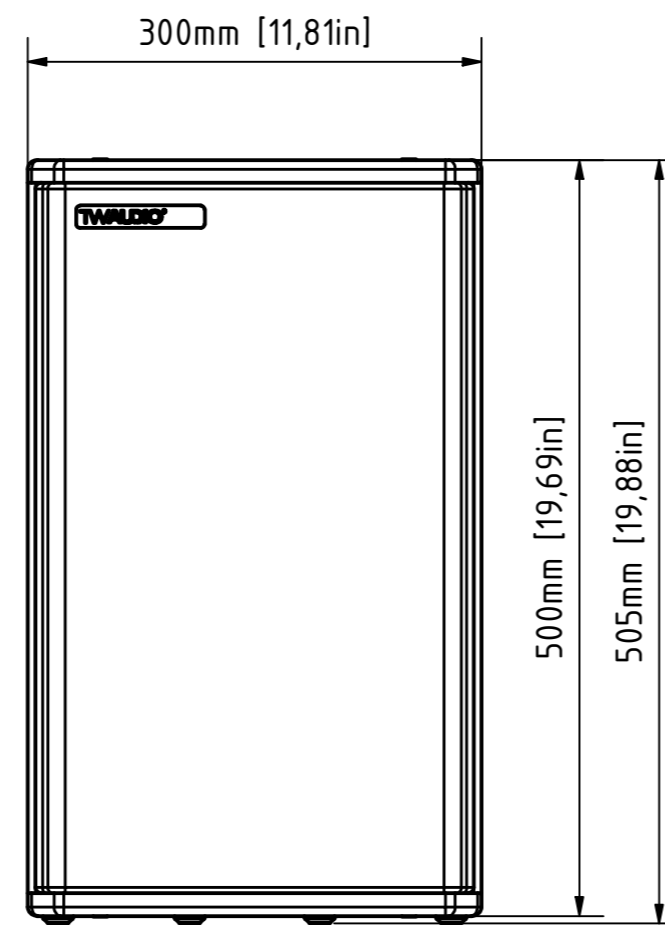
bottom view



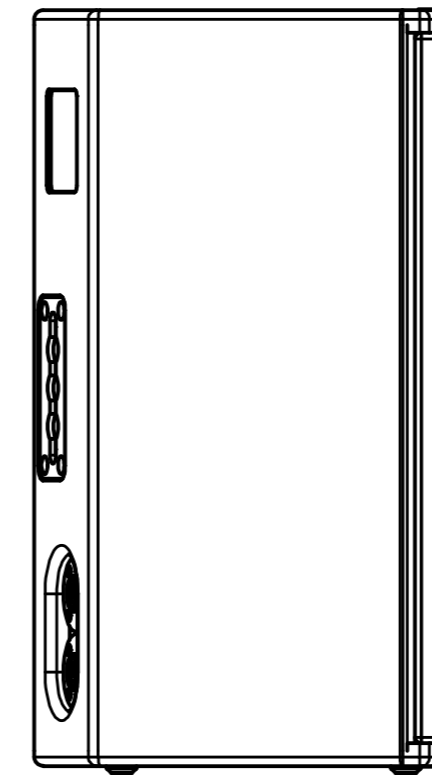
M10 left and right version shown in monitor use.



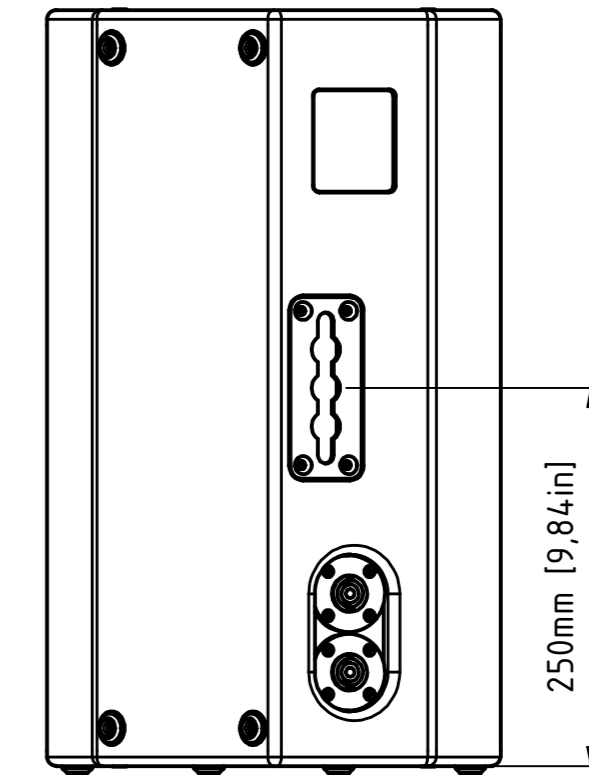
right view



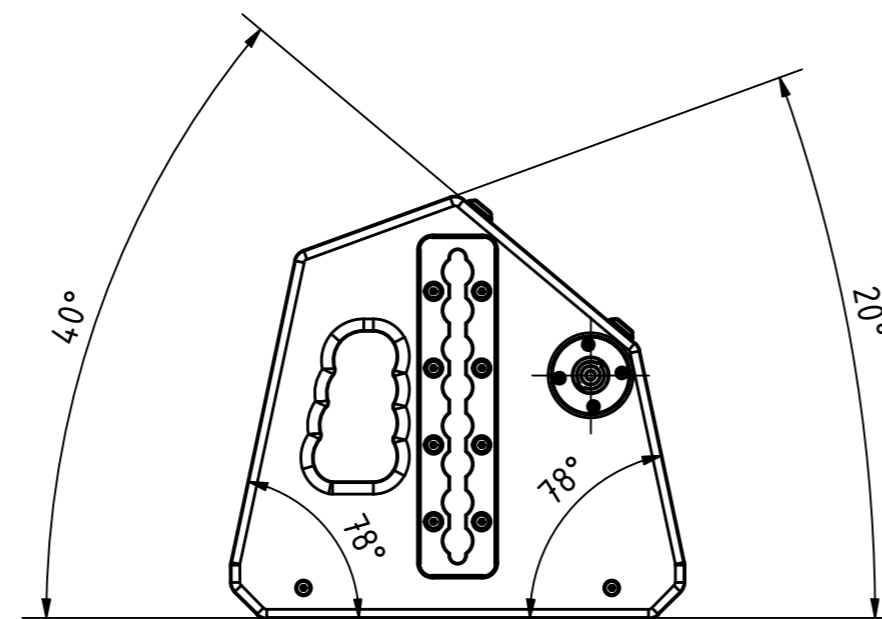
front view



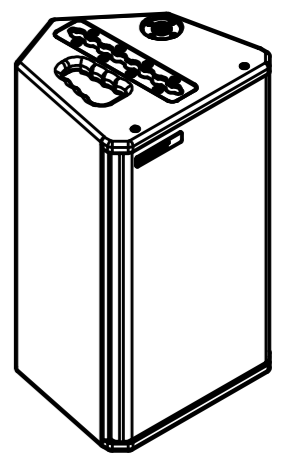
left view



rear view



top view



1	Address modified		08.12.2021	Heike Konrad
rev. no.		description	date	modified by
revision process				
TWAUDIO Karl-Hofer-Str. 42 14163 Berlin www.twaudio.de		scale:		
All rights to this drawing reserved in accordance with ISO 16016. Copying and distribution by manufacturer's permission only.		weight:	15,2 kg [34 lbs]	
general tolerance ISO 2768-mK ISO 13920-BF ISO 9013-IIA/K according to ISO 8015		document type:	overview drawing	
edges according to ISO 13715 surfaces (Ra) array 2 array 3 DIN ISO 1302		status type:	released	
		drawn:	date	name
		checked:	17.03.2011	Stefan Ullrich
		approved:	29.07.2013	Tim Reisinger
		approved:	08.12.2021	Heike Konrad
		drawing number:	TWA-M10-0001	
		revision no.:	1	sheet: 1 1
				Az