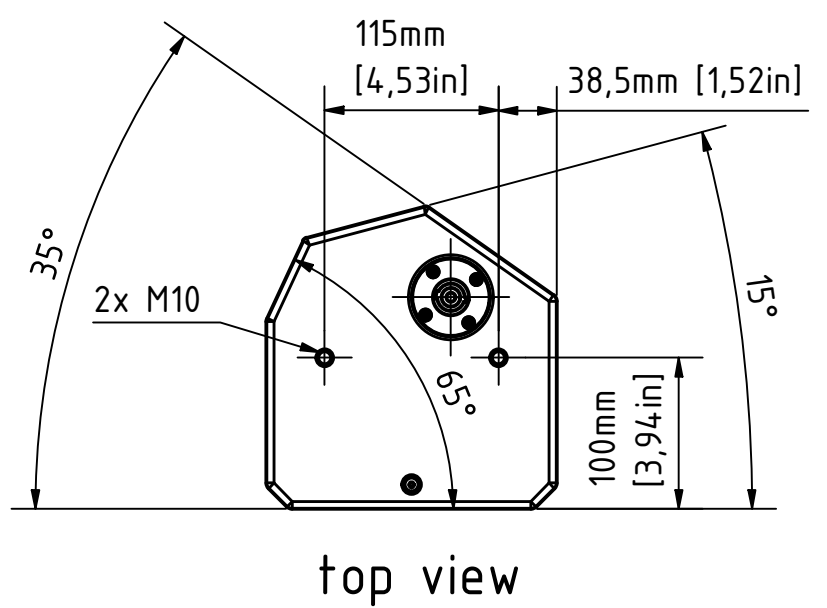
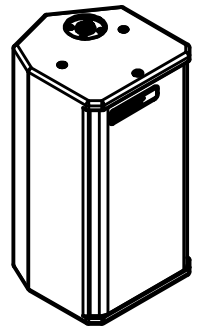
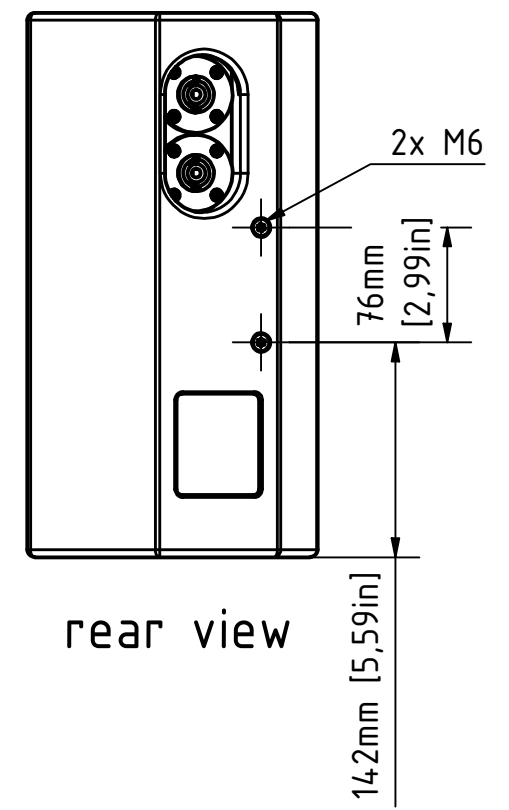
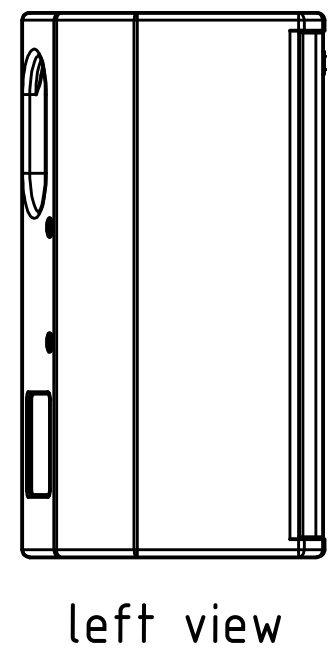
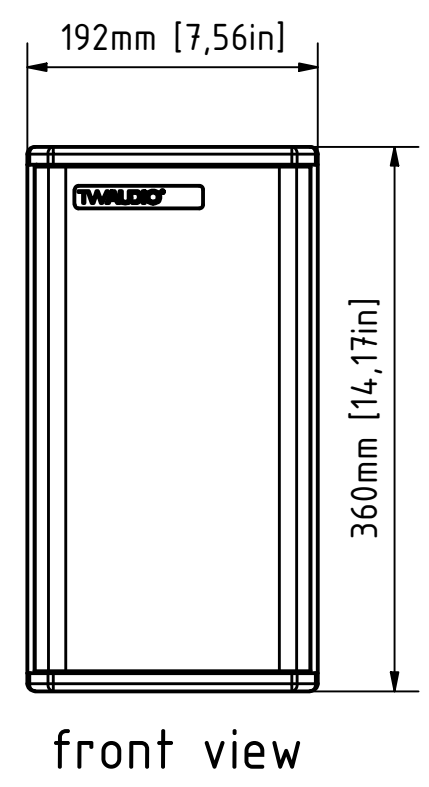
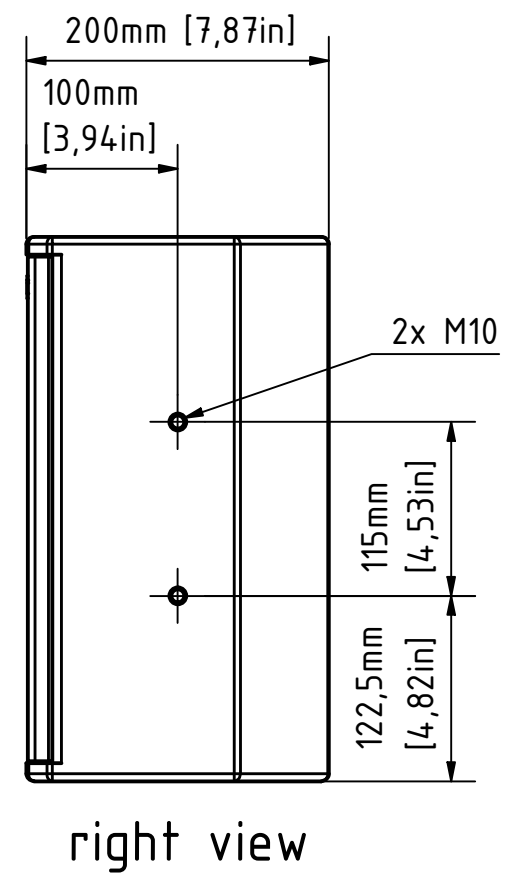


M6 left and right version shown in monitor use.



1	Adress modified	08.12.2021	Heike Konrad
rev. no.	description	date	modified by
revision process			
TWAUDIO Karl-Hofer-Str. 42 14163 Berlin www.twaudio.de		scale:	
		weight: 5,8 kg [13 lbs]	
All rights to this drawing reserved in accordance with ISO 16016. Copying and distribution by manufacturer's permission only.		document type: overview drawing	order number:
		status type: released	type: M6
general tolerance ISO 2768-mK ISO 13920-BF ISO 9013-IIA/K according to ISO 8015		constructed: 22.01.2010	Stefan Ullrich
		drawn: 02.03.2010	Stefan Ullrich
edges according to ISO 13715 surfaces (Ra) array 2 array 3 DIN ISO 1302		checked:	
		approved: 08.12.2021	Heike Konrad
		drawing number: TWA-M6-0001	revision no.: 1
			sheet: 1 1
			A3