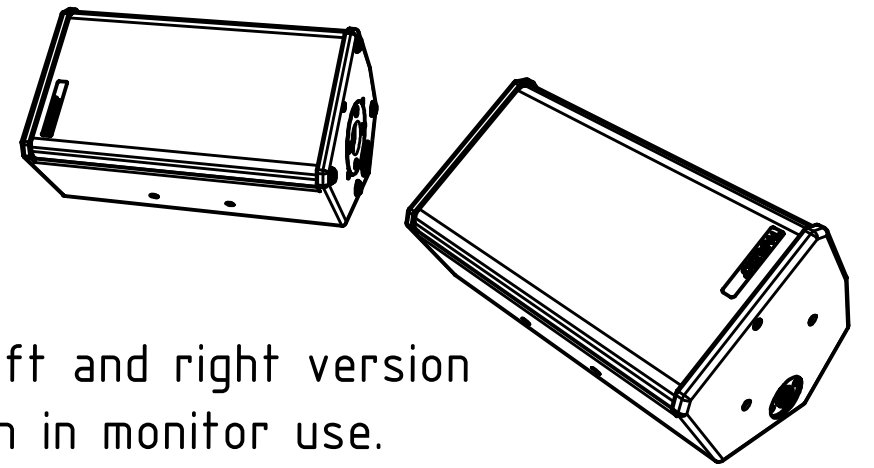
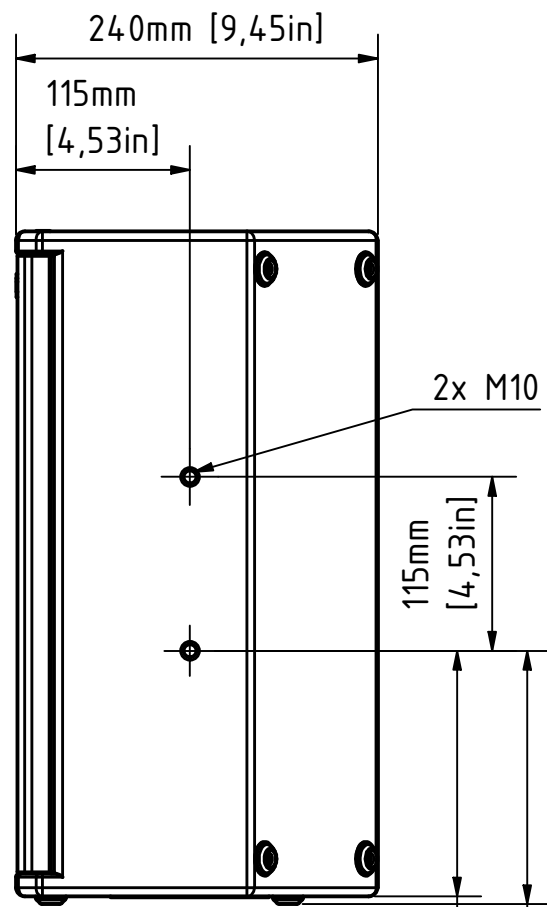


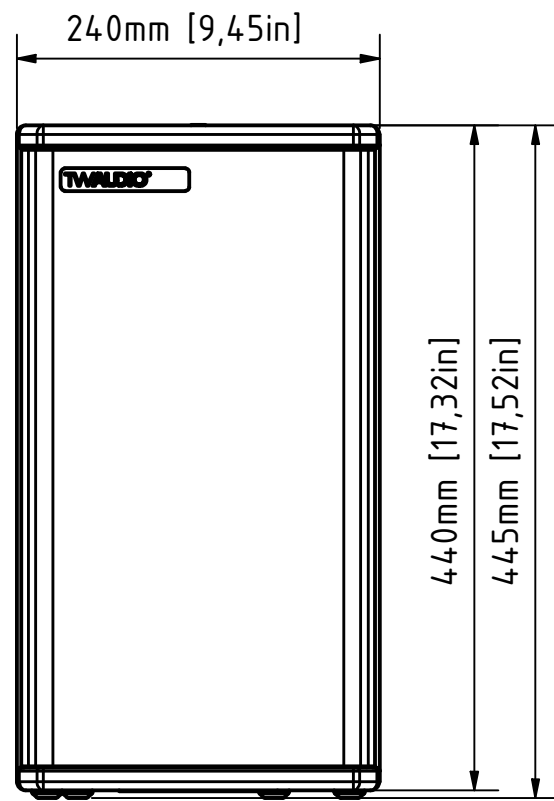
bottom view



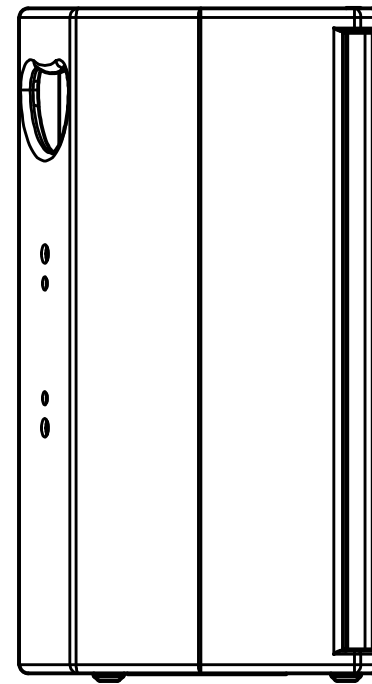
M8 left and right version shown in monitor use.



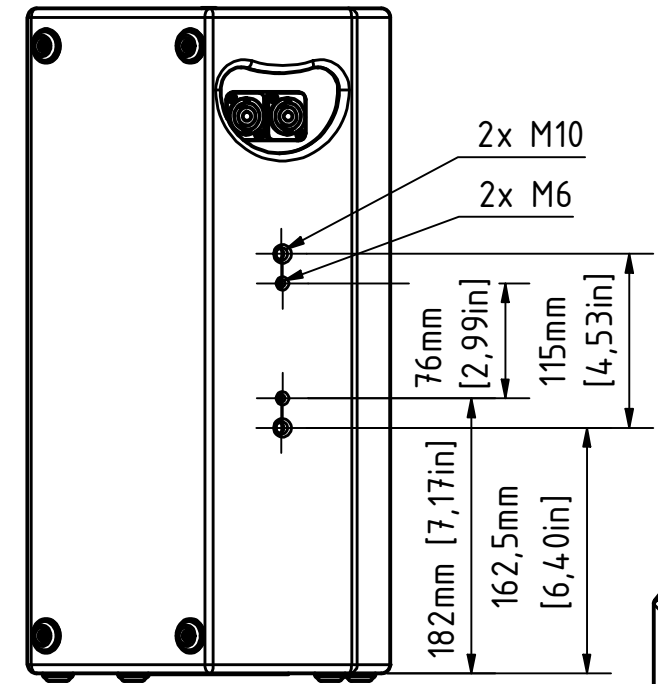
right view



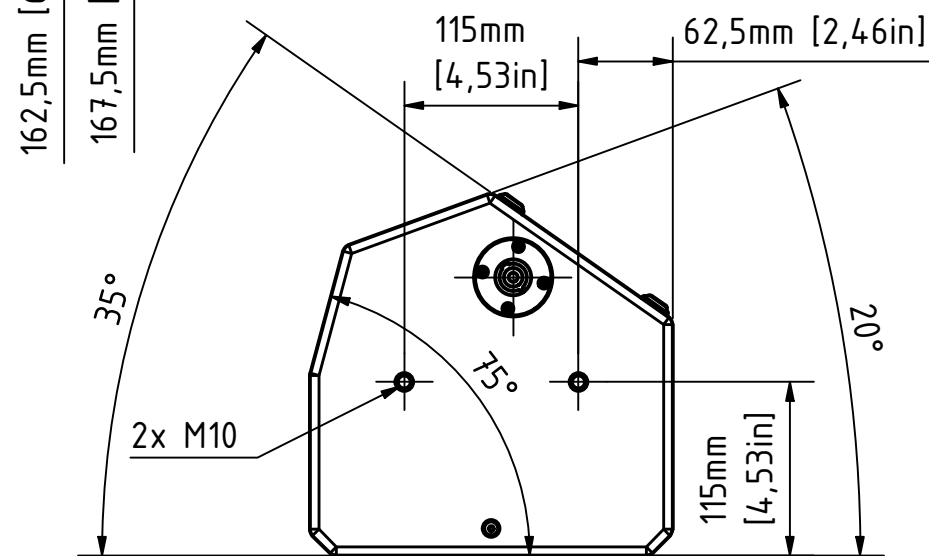
front view



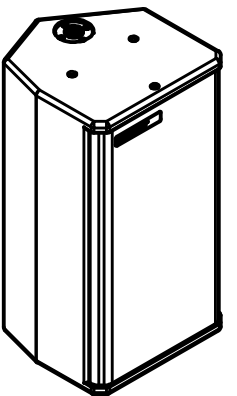
left view



rear view



top view



1	Adress modified	08.12.2021	Heike Konrad
rev. no.	description	date	modified by
<b>revision process</b>			
<b>TWAUDIO</b> Karl-Hofer-Str. 42 14163 Berlin www.twaudio.de		scale:	
		weight: 10,0 kg [22 lbs]	
All rights to this drawing reserved in accordance with ISO 16016. Copying and distribution by manufacturer's permission only.		document type: overview drawing	order number:
		status type: released	type: M8
general tolerance ISO 2768-mK ISO 13920-BF ISO 9013-IIA/K according to ISO 8015		constructed: 18.11.2009 Stefan Ullrich	drawing number: TWA-M8-0001
		drawn: 18.11.2009 Stefan Ullrich	
edges according to ISO 13715 surfaces (Ra) array 2 array 3 DIN ISO 1302		checked:	revision no.: 1
		approved: 08.12.2021 Heike Konrad	sheet: 1/1
C:\CAD_TW_AUDIO\CAD-Daten\Produkte\M8\M8_alt\M8_Anordnung.iam			