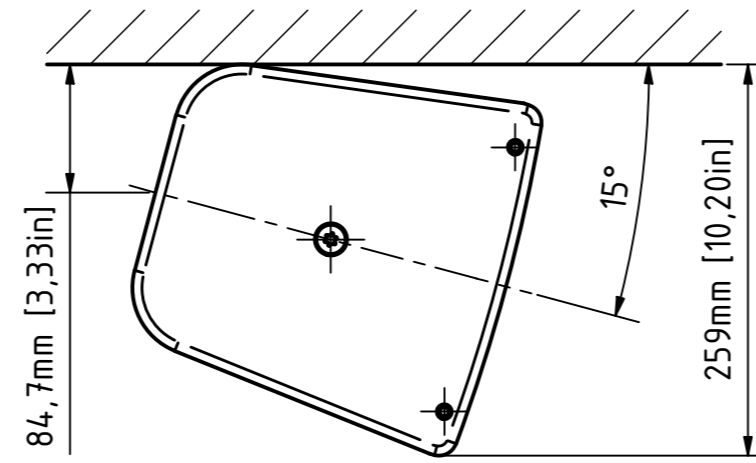
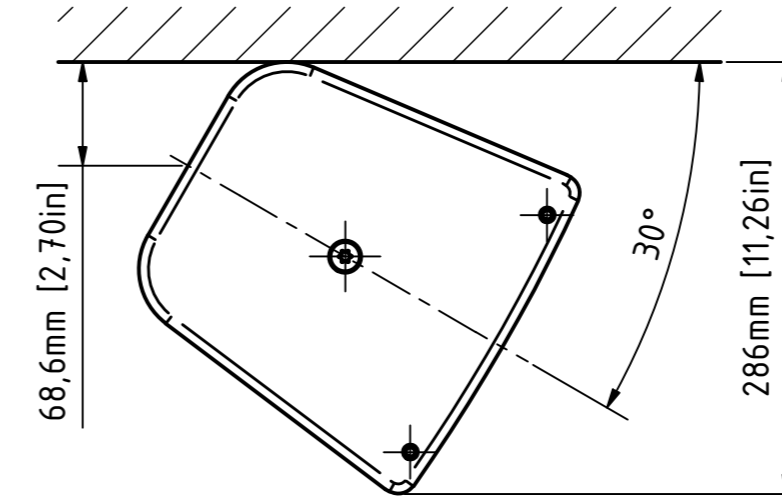


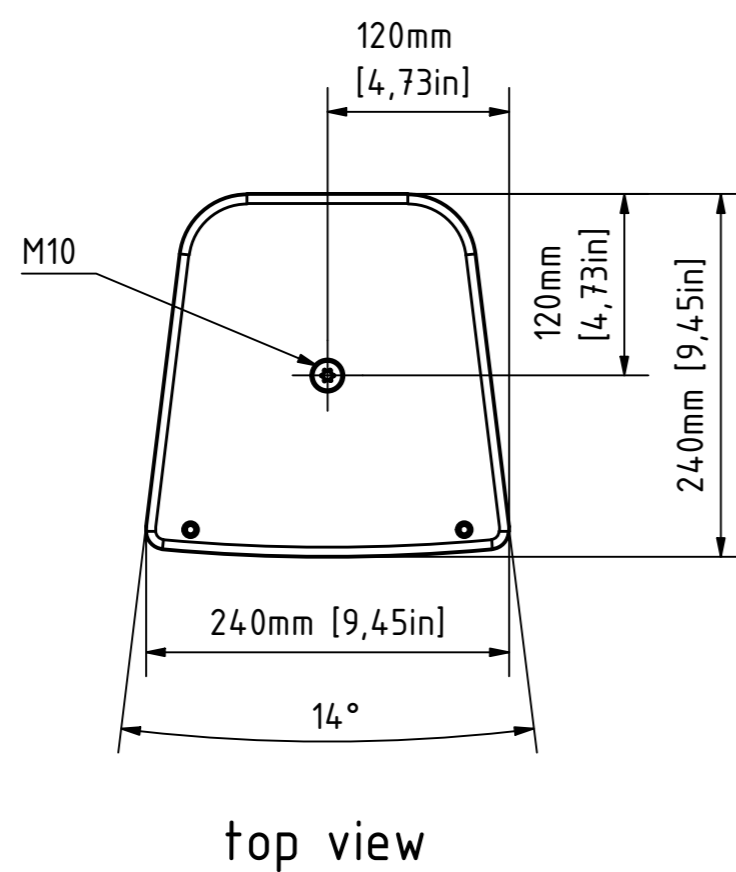
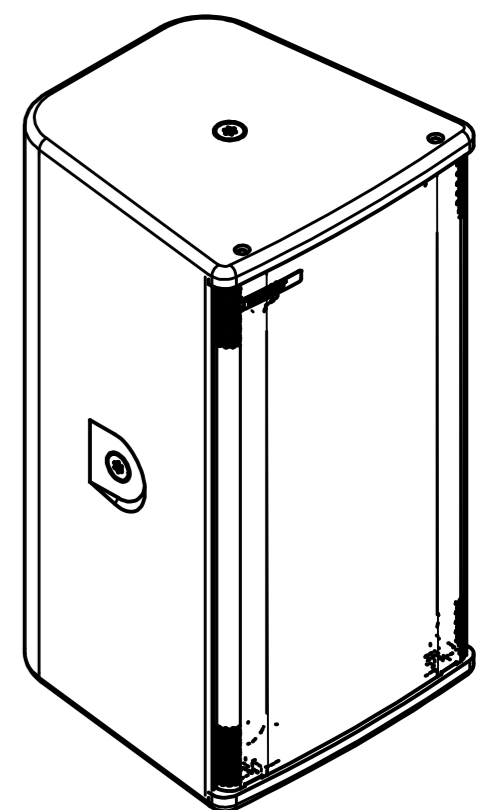
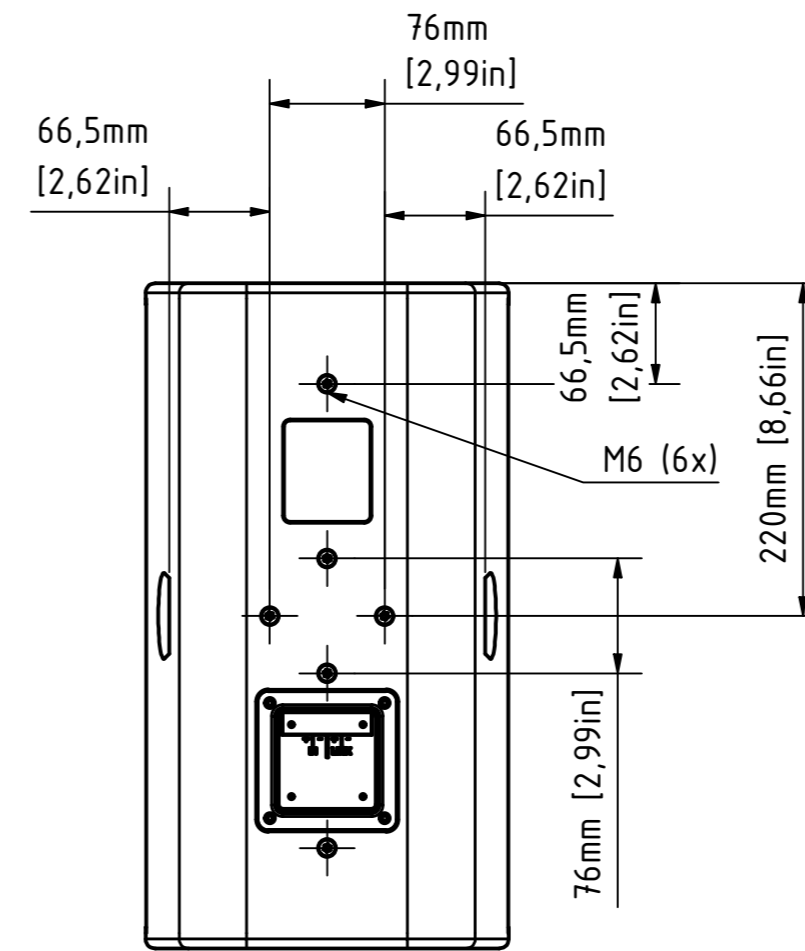
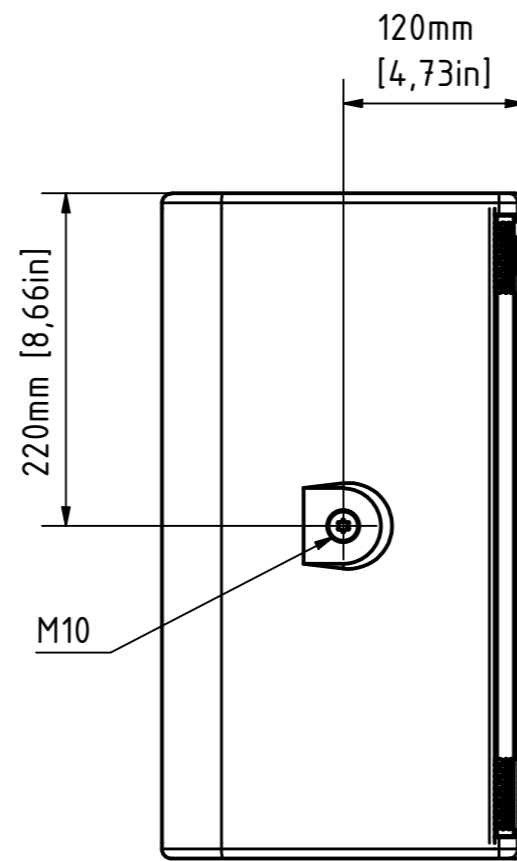
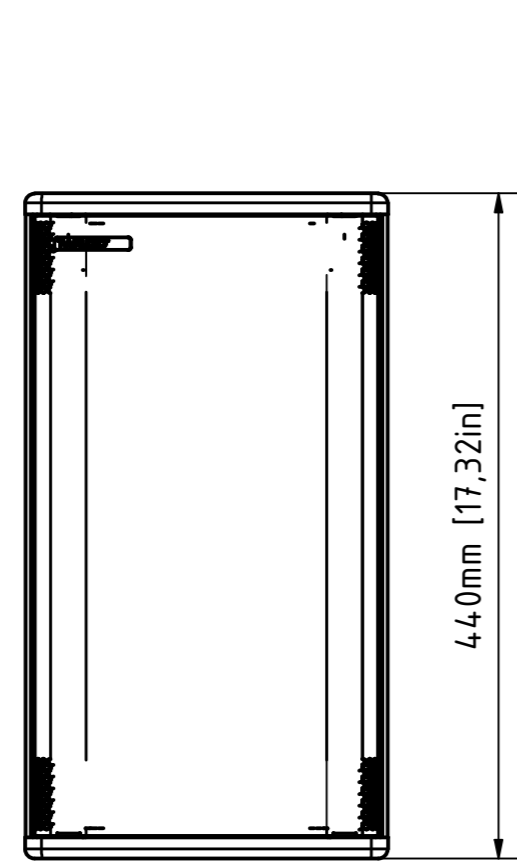
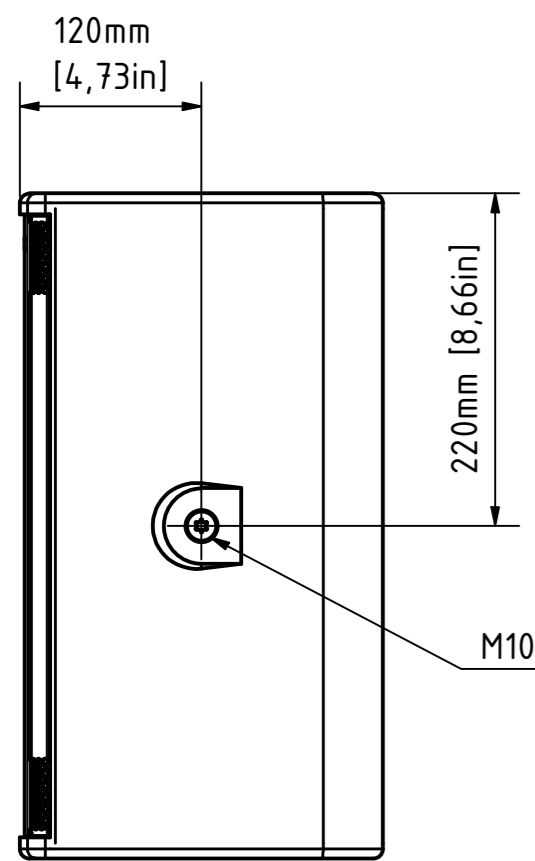
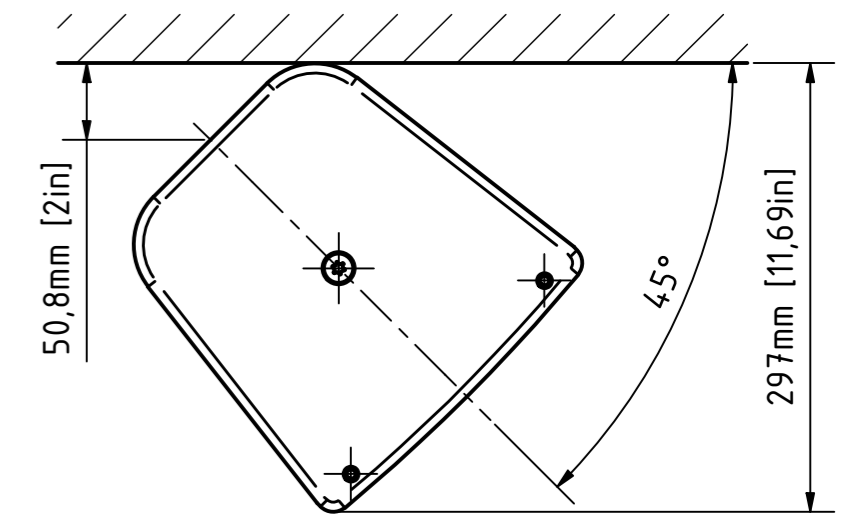
Limit dimensions at 15° downtilt



Limit dimensions at 30° downtilt



Limit dimensions at 45° downtilt



rev. no.	description	date	modified by
1	Address modified	08.12.2021	Heike Konrad
<b>revision process</b>			
<b>TWAUDIO</b> Karl-Hofer-Str. 42 14163 Berlin www.twaudio.de		scale: 1:5 (1:10) weight: 10,3 kg [23 lbs]	order number: 5235
All rights to this drawing reserved in accordance with ISO 16016. Copying and distribution by manufacturer's permission only.		document type: overview drawing status type: released	type: M8i Multifunctional speaker
general tolerance ISO 2768-mK ISO 13920-BF ISO 9013-IIA/K according to ISO 8015	edges according to ISO 13715 surfaces (Ra) array 2 array 3 according to ISO 1302	date: 22.01.2018 name: Stefan Ullrich date: 06.03.2018 name: Stefan Ullrich	drawing number: TWA-M8i-0001 revision no.: 1 sheet: 1   1 Az
<small>C:\CAD_TWAUDIO\CAD-Daten\Produkt\TWA\M8i_spliam</small>			