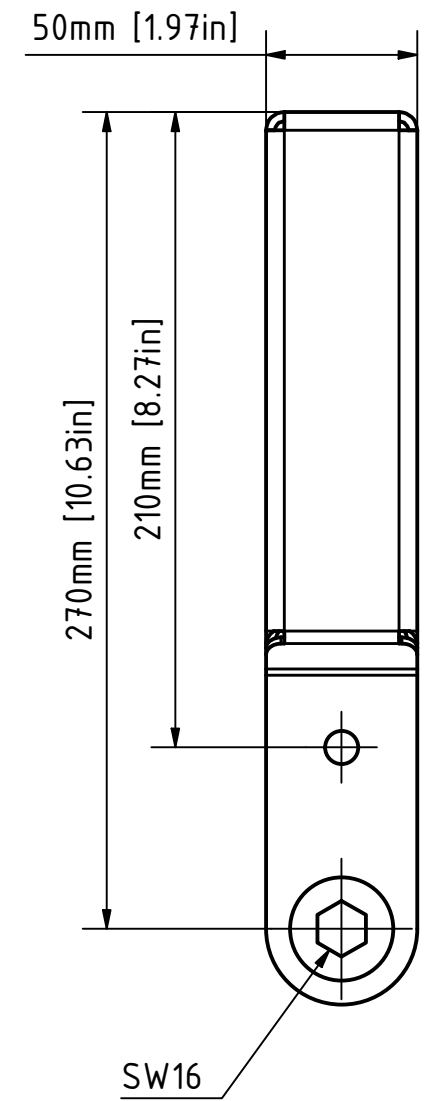
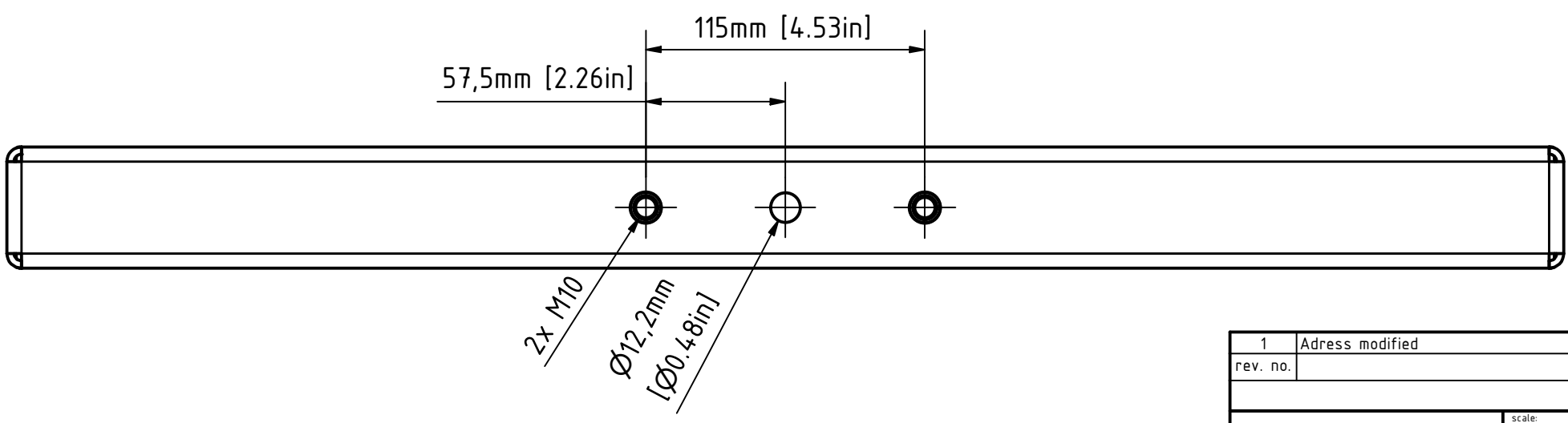


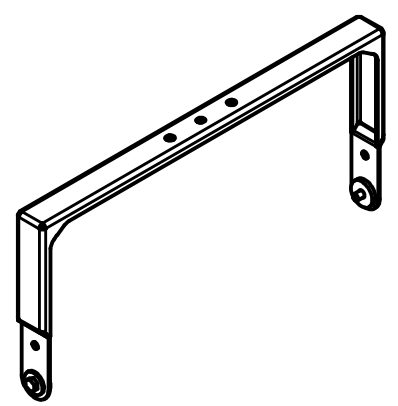
front view



side view



top view



1	Adress modified	10.12.2021	Heike Konrad										
rev. no.	description	date	modified by										
revision process													
TWAUDIO Karl-Hofer-Str. 42 14163 Berlin www.twaudio.de	scale: 1:2,5 (1:10)												
	weight: 2,3 kg [5.1lbs]												
All rights to this drawing reserved in accordance with ISO 16016. Copying and distribution by manufacturer's permission only.	document type: overview drawing	order number: QBT20											
	released												
	status type:	type: Installation Swivel Bracket											
general tolerance ISO 2768-mK ISO 13920-BF ISO 9013-IIA/K according to ISO 8015	edges according to ISO 13715 surfaces (Ra) array 2 array 3 DIN ISO 1302	<table border="1"> <thead> <tr> <th>date</th> <th>name</th> </tr> </thead> <tbody> <tr> <td>23.03.2015</td> <td>Stefan Ullrich</td> </tr> <tr> <td>12.04.2017</td> <td>Heike Konrad</td> </tr> </tbody> </table>	date	name	23.03.2015	Stefan Ullrich	12.04.2017	Heike Konrad	<table border="1"> <thead> <tr> <th>date</th> <th>name</th> </tr> </thead> <tbody> <tr> <td>10.12.2021</td> <td>Heike Konrad</td> </tr> </tbody> </table>	date	name	10.12.2021	Heike Konrad
date	name												
23.03.2015	Stefan Ullrich												
12.04.2017	Heike Konrad												
date	name												
10.12.2021	Heike Konrad												
drawing number: TWA-QBT20-0001		revision no.: 1	sheet: 1/1 A3										
<small>C:\CAD_TW_AUDIO\CAD-Daten\Zubehör\Querbuegel\QBT20\QBT20.iam</small>													