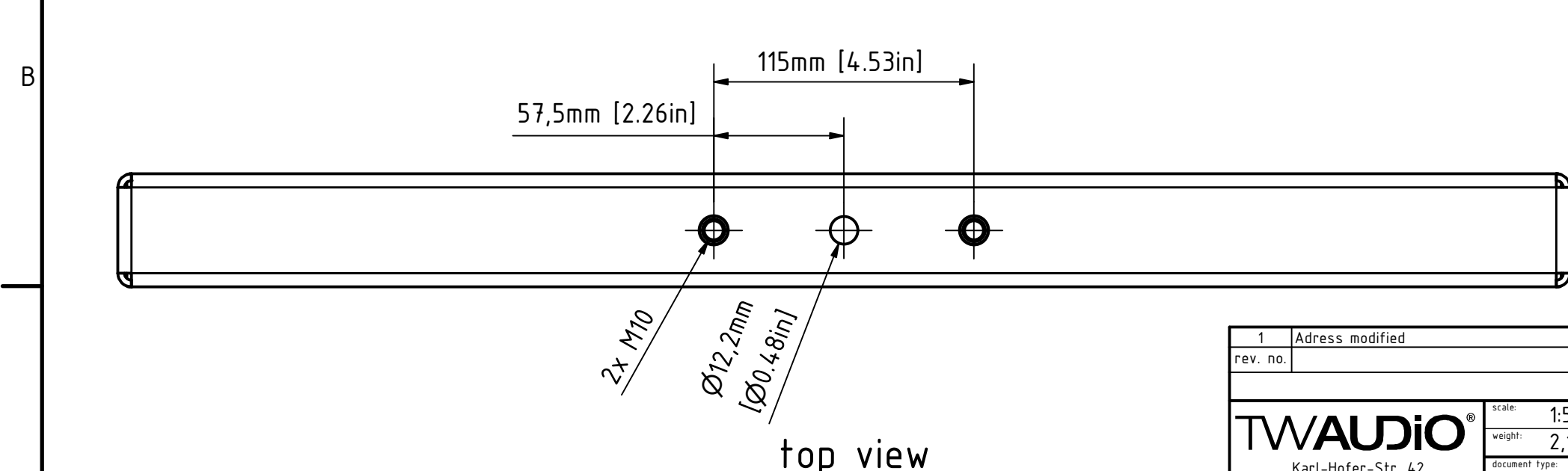
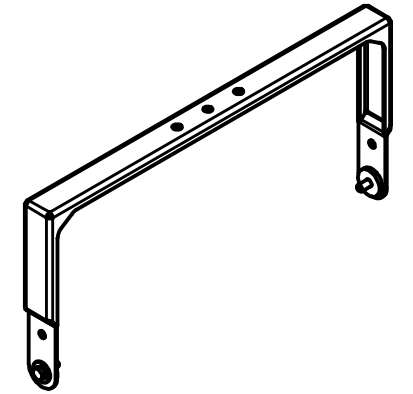


602mm [23.7in]
front view

side view



top view



1	Adress modified	10.12.2021	Heike Konrad
rev. no.	description	date	modified by
revision process			
TWAUDIO® Karl-Hofer-Str. 42 14163 Berlin www.twaudio.de		scale:	1:5 (1:10)
		weight:	2,1 kg [4.6lbs]
All rights to this drawing reserved in accordance with ISO 16016. Copying and distribution by manufacturer's permission only.		document type:	overview drawing
		status type:	released
general tolerance ISO 2768-mK ISO 13920-BF ISO 9013-IIA/K according to ISO 8015		edges according to ISO 13715	
		surfaces (Ra)	array 2 array 3 DIN ISO 1302
constructed: 25.09.2019 drawn: 25.09.2019 checked: approved: 10.12.2021		name	Stefan Ullrich
		name	Heike Konrad
C:\CAD_TW_AUDIO\CAD-Daten\Zubehör\Querbuegel\QBT20i\QBT20i.iam		order number:	QBT20i
		type:	Installation swivel bracket
drawing number:		TWA-QBT20i-0001	
revision no.:		1	
sheet:		1 3 A3	