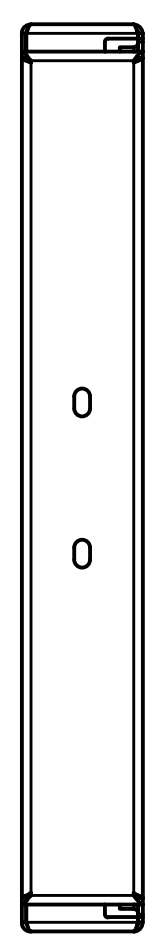
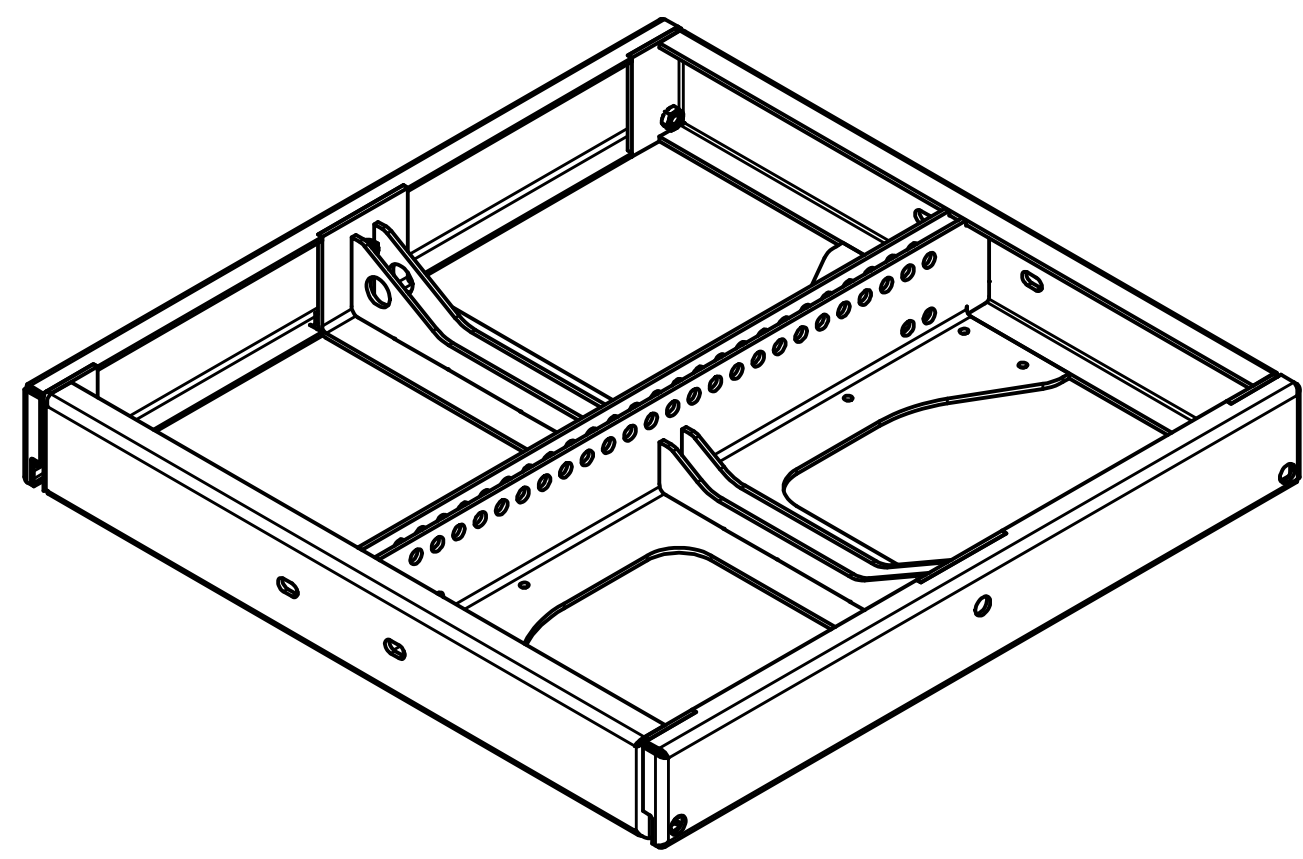
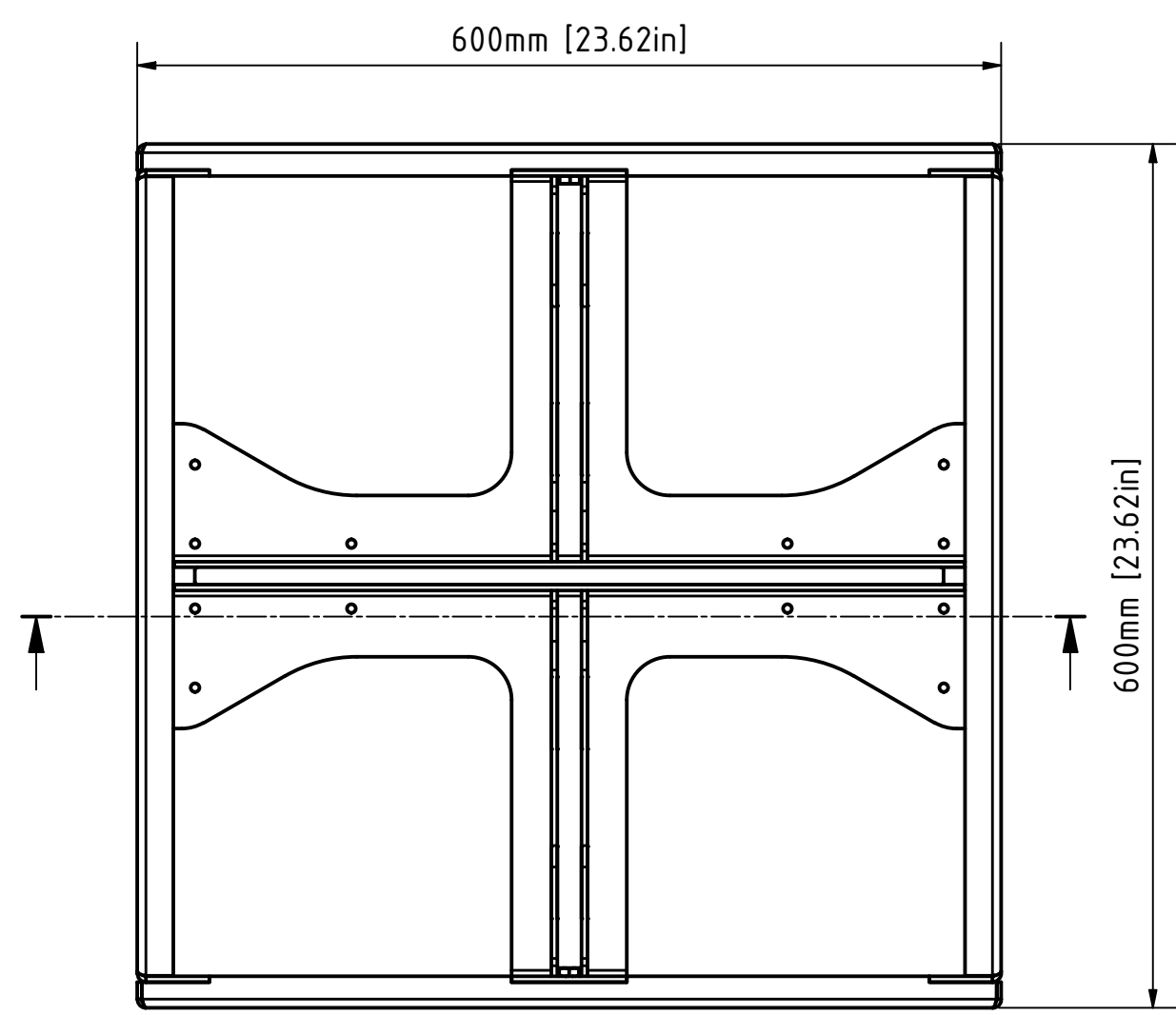


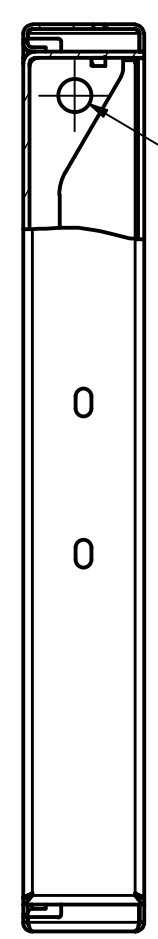
right view



rear view

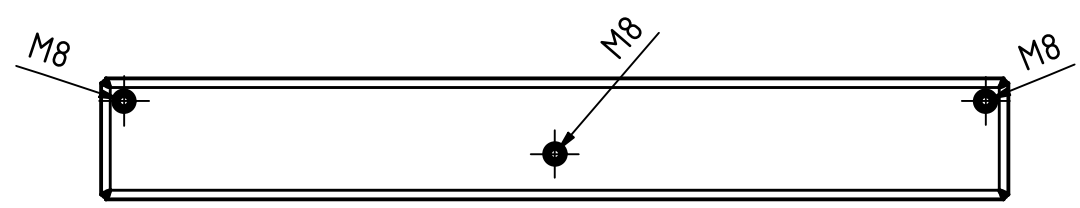


top view



front view

$\varnothing 22\text{mm}$  [ $\varnothing 0.87\text{in}$ ]  
(2x for safety wire)



left view

1	Address modified	09.12.2021	Heike Konrad
rev. no.	description	date	modified by
<b>revision process</b>			
<b>TWAUDIO</b> Karl-Hofer-Str. 42 14163 Berlin www.twaudio.de		scale: 1:5	weight: 16,7 kg [36.8lbs]
All rights to this drawing reserved in accordance with ISO 16016. Copying and distribution by manufacturer's permission only.		document type: overview drawing	order number:
general tolerance: ISO 2768-mK ISO 13920-BF ISO 9013-IIA/K according to ISO 8015		status type: released	type: VERA RF600i
edges according to ISO 13715 surfaces (Ra) array 2 array 3 DIN ISO 1302		drawn: 06.11.2018 Heike Konrad	drawing number: TWA-RF600i-0001
		checked: 09.12.2021 Heike Konrad	revision no: 1
		approved: 09.12.2021 Heike Konrad	sheet: 1/1
<small>C:\CAD-TW_AUDIO\CAD-Daten\Zubehor\RF600i\RF600i-ST.dwg</small>			