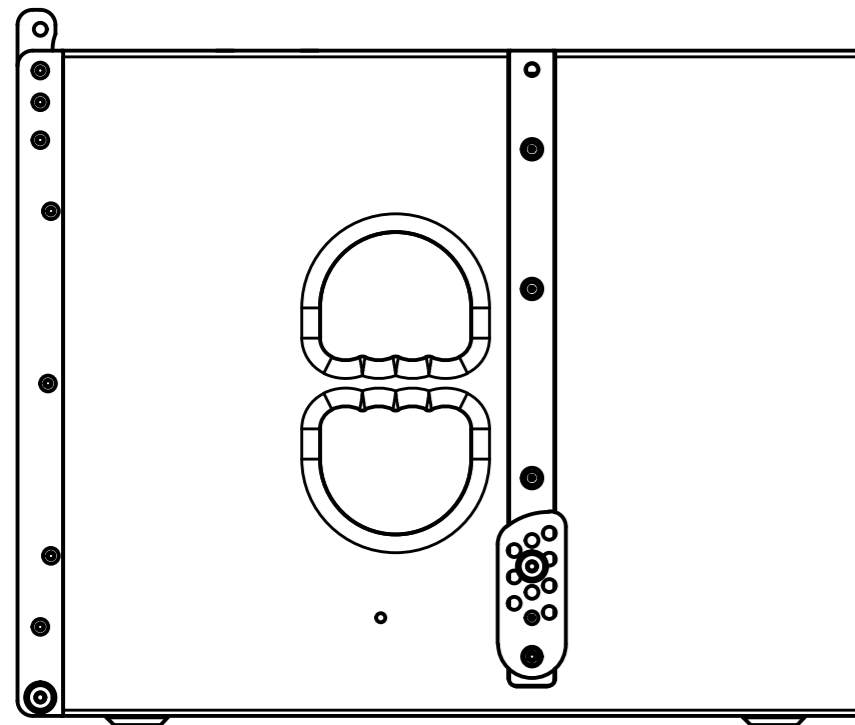
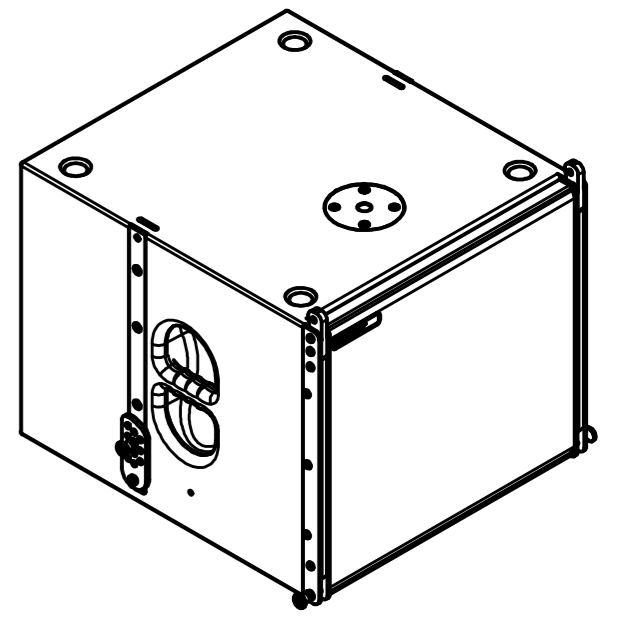
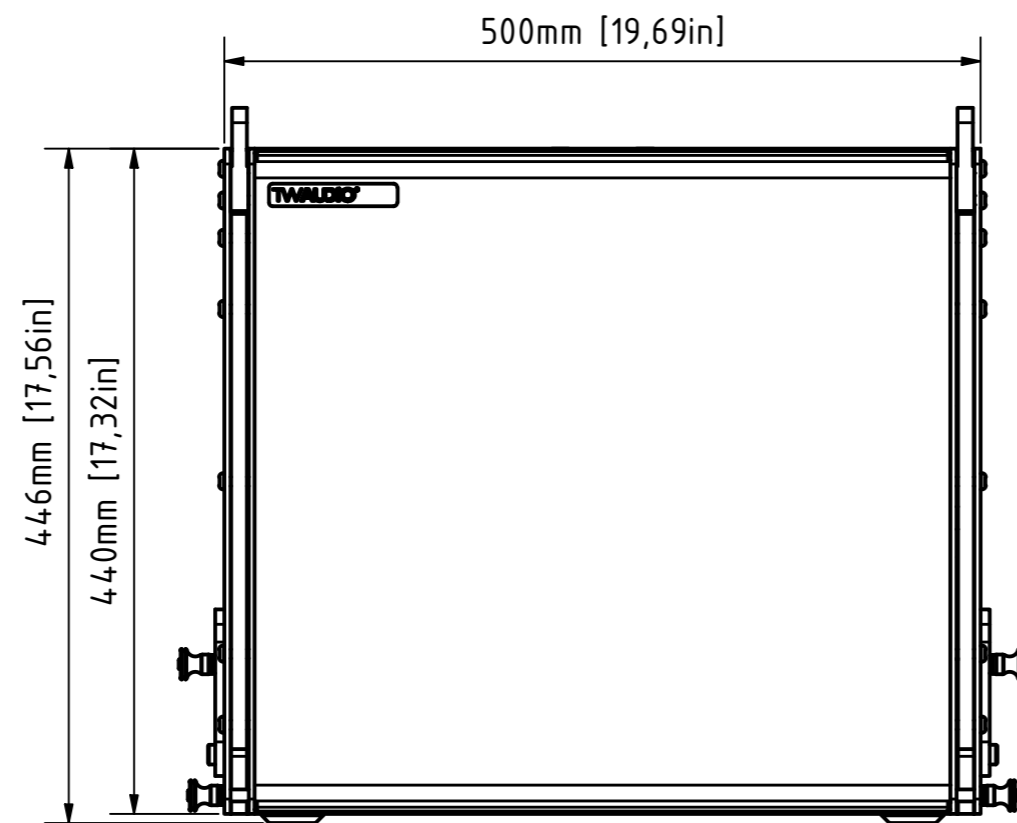


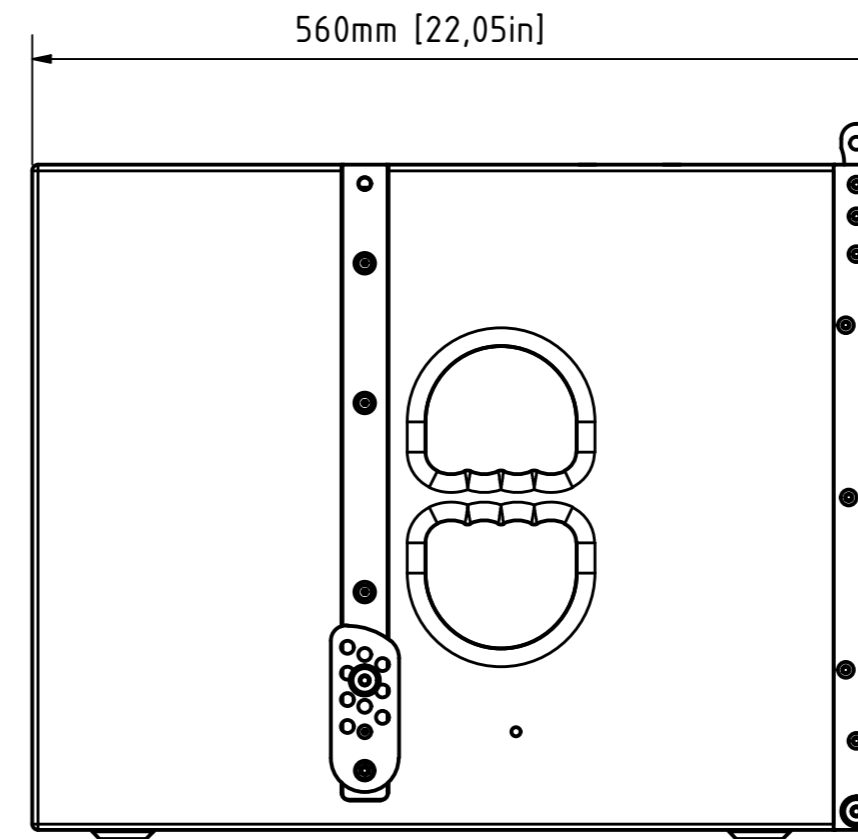
bottom view



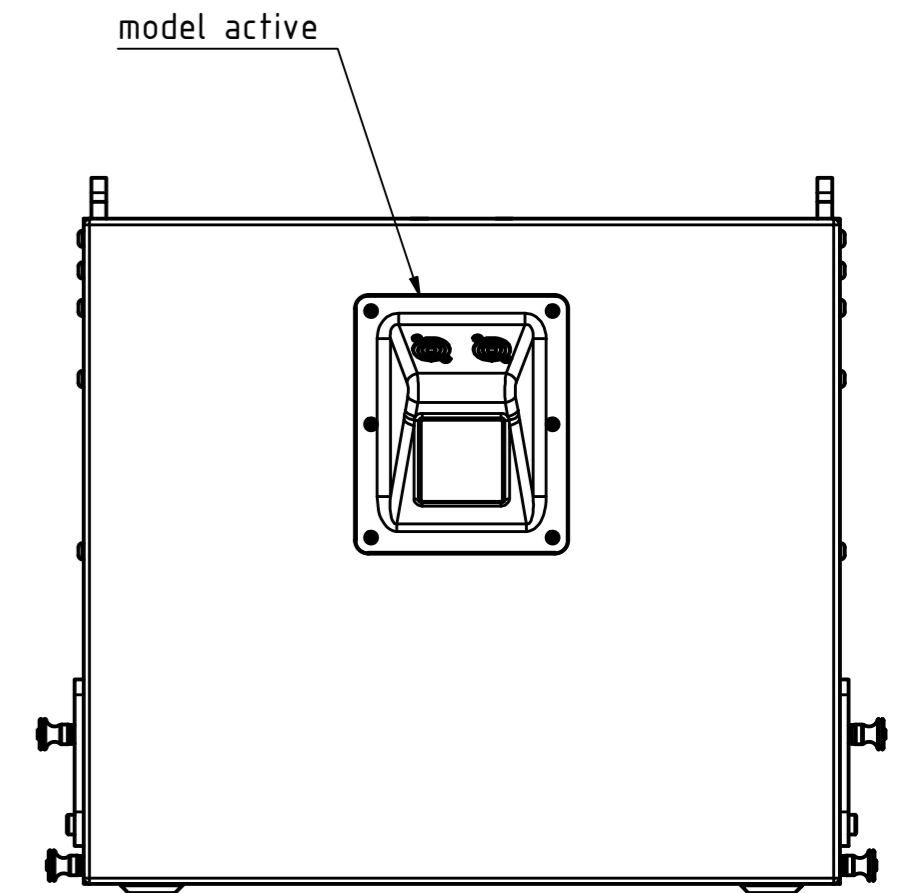
right view



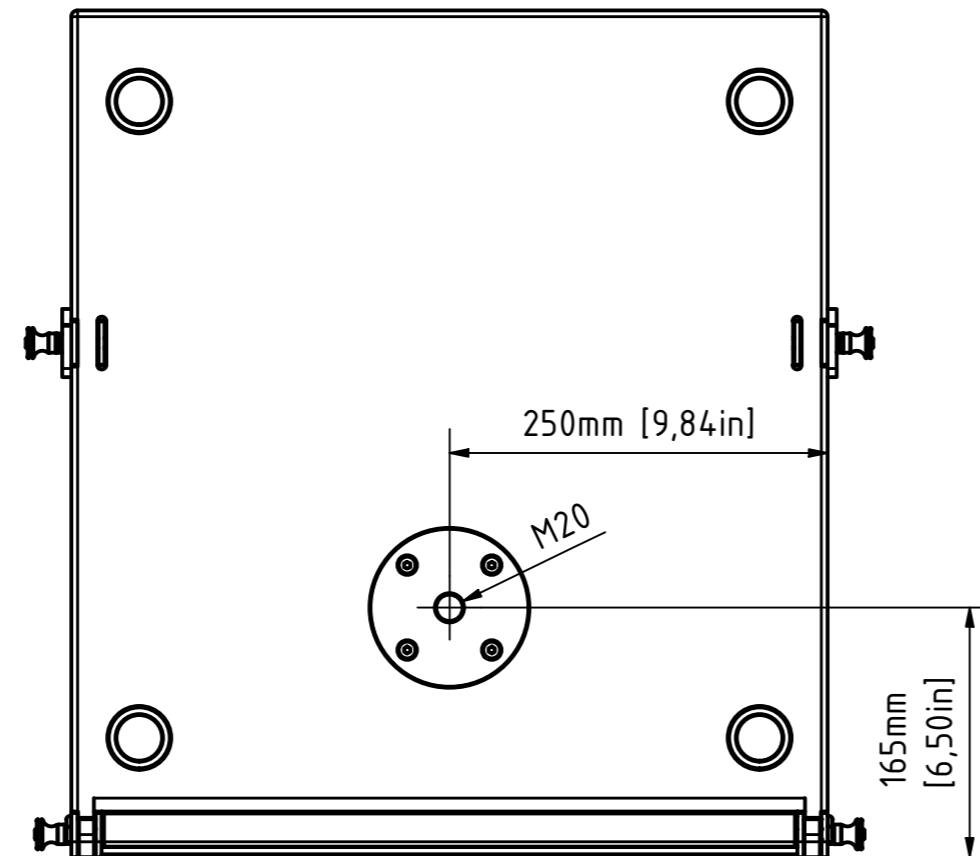
front view



left view



rear view



top view

table	
model	weight
active	23 kg [51 lbs]
passive	25,3 kg [56 lbs]

1	Address modified	09.12.2021	Heike Konrad
Rev.	Beschreibung	Datum	Geändert von
<b>REVISIONSVERLAUF</b>			
<b>TWAUDIO</b> Karl-Hofer-Str. 42 14163 Berlin www.twaudio.de		scale: weight: <b>weight see table</b>	order number:
All rights to this drawing reserved in accordance with ISO 16016. Copying and distribution by manufacturer's permission only.		document type: <b>overview drawing</b>	type: <b>VERA S15</b>
general tolerance ISO 2768-mK ISO 13920-BF ISO 9013-IIA/K according to ISO 8015		status type: <b>released</b>	drawing number: <b>TWA-S15-0001</b>
edges according to ISO 13715 surfaces (Ra) array 2 array 3 according to ISO 1302		date <b>24.07.2009</b>	name <b>Stefan Ullrich</b>
checked: <b>09.12.2021</b>		name <b>Heike Konrad</b>	revision no: <b>1</b> sheet: <b>1</b> of <b>1</b>
<small>©T/CAD: TW_AUDIO\CAD-Daten\Produkt\YeraS15\ST5_kpl.dwg</small>			