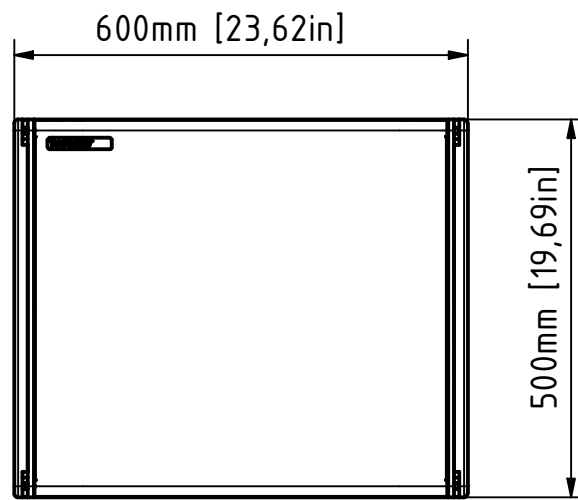
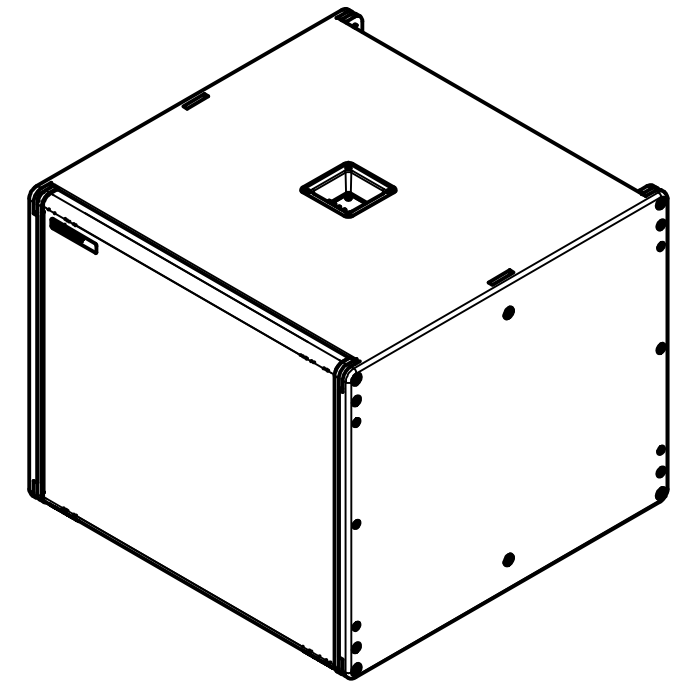
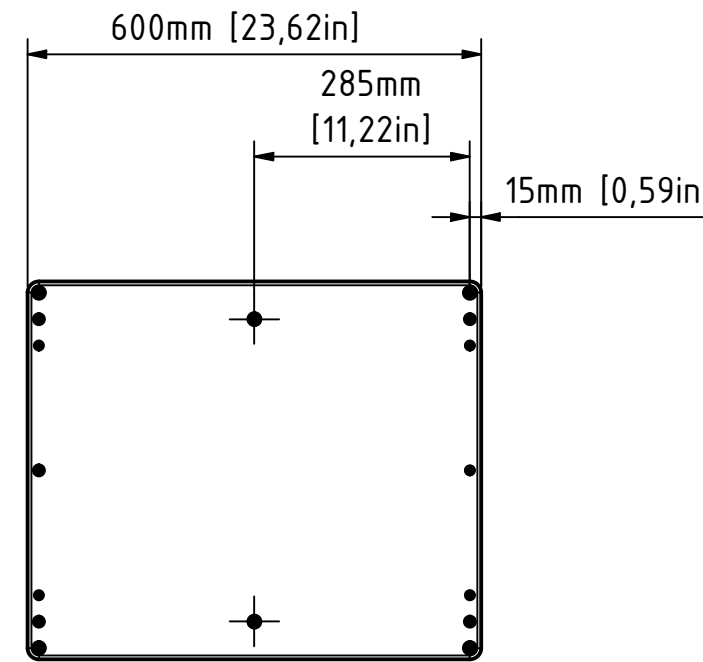


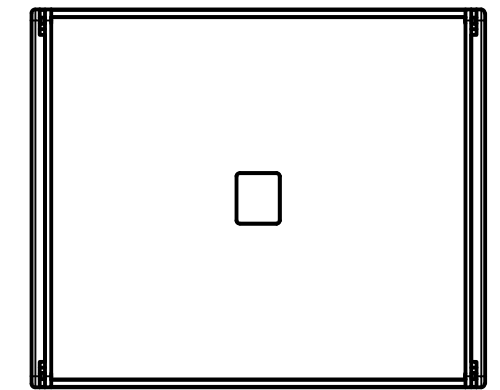
bottom view



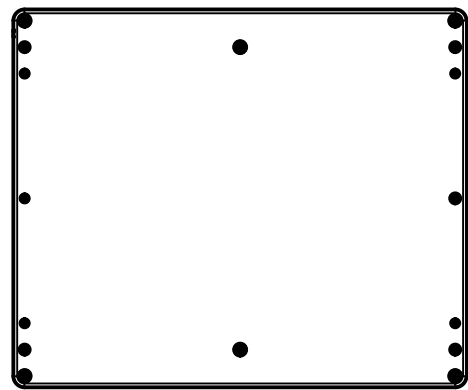
front view



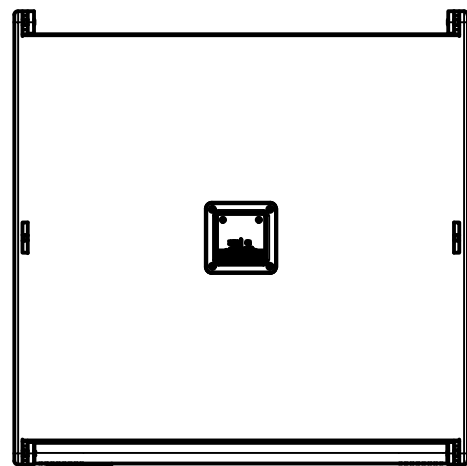
left view



rear view



right view



top view

1	Adress modified		09.12.2021	Heike Konrad
rev. no.		description	date	modified by
revision process				
TWAUDIO® Karl-Hofer-Str. 42 14163 Berlin www.twaudio.de		scale:	1:10	
		weight:	39,7 kg [88 lbs]	
All rights to this drawing reserved in accordance with ISO 16016. Copying and distribution by manufacturer's permission only.		document type:	overview drawing	
		status type:	released	
general tolerance ISO 2768-mK ISO 13920-BF ISO 9013-IIA/K according to ISO 8015		edges according to ISO 13715		
		surfaces (Ra) array 2 array 3 DIN ISO 1302		
C:\CAD_TW_AUDIO\CAD-Daten\Produkte\VERA S17i\S17i_kpl.iam		constructed:	18.01.2016	B. Letzgus
		drawn:	08.01.2019	Heike Konrad
		checked:		
		approved:	09.12.2021	Heike Konrad
		order number:		
		type:	VERA S17i	
		drawing number:	TWA-S17i-0001	
		revision no.:	1	sheet: 1 1
				A3