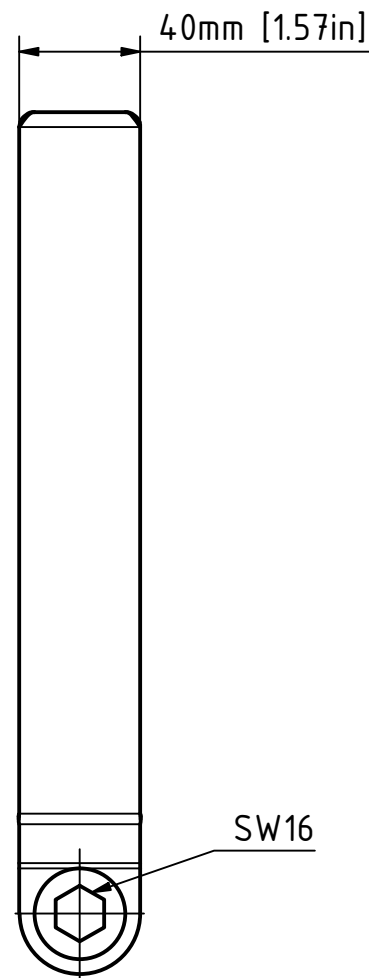
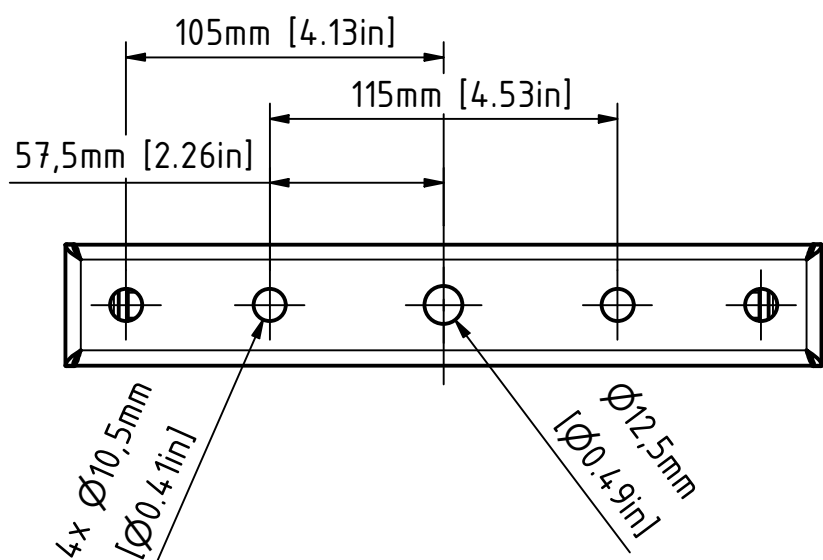
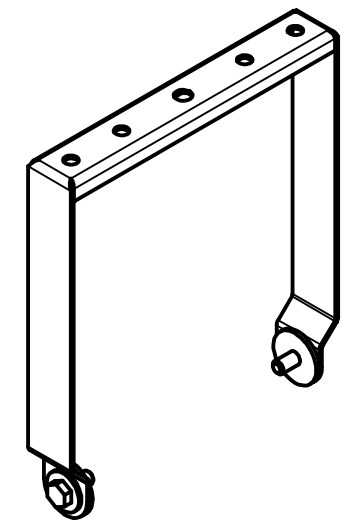


front view



side view



top view

1	Adress modified	09.12.2021	Heike Konrad
rev. no.	description	date	modified by
<b>revision process</b>			
<b>TWAUDIO®</b> Karl-Hofer-Str. 42 14163 Berlin www.twaudio.de	scale: 1:2,5 (1:5)		
	weight: 0,8 kg [1.76lbs]		
All rights to this drawing reserved in accordance with ISO 16016. Copying and distribution by manufacturer's permission only.	document type: overview drawing	order number: SBM8i	
	status type: released	type: Installation swivel bracket	
general tolerance: ISO 2768-mK, ISO 13920-BF, ISO 9013-IIA/K according to ISO 8015	edges according to ISO 13715	date	name
surfaces (Ra): array 2, array 3, DIN ISO 1302	constructed: 26.09.2018	Stefan Ullrich	
	drawn: 25.09.2019	Heike Konrad	
	checked:		
	approved: 09.12.2021	Heike Konrad	
C:\CAD_TW_AUDIO\CAD-Daten\Zubehör\Schwenkbruegel\SBM8i\SBM8i-kpl.iam		drawing number: TWA-SBM8i-0001	revision no.: 1
		sheet: 1	2
		A3	