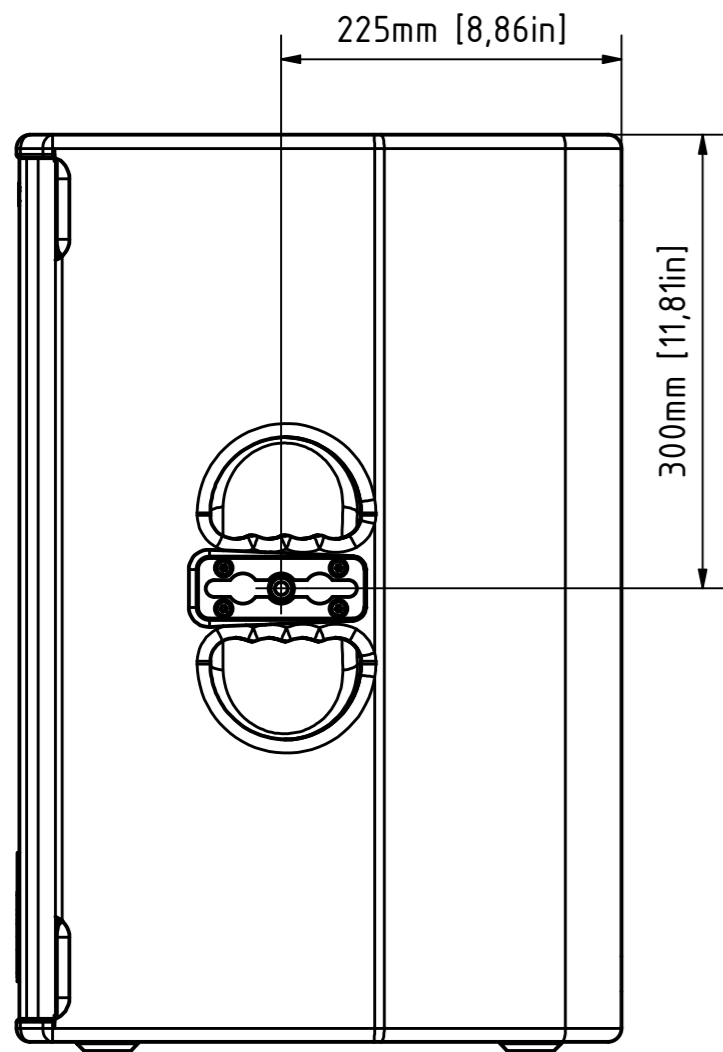
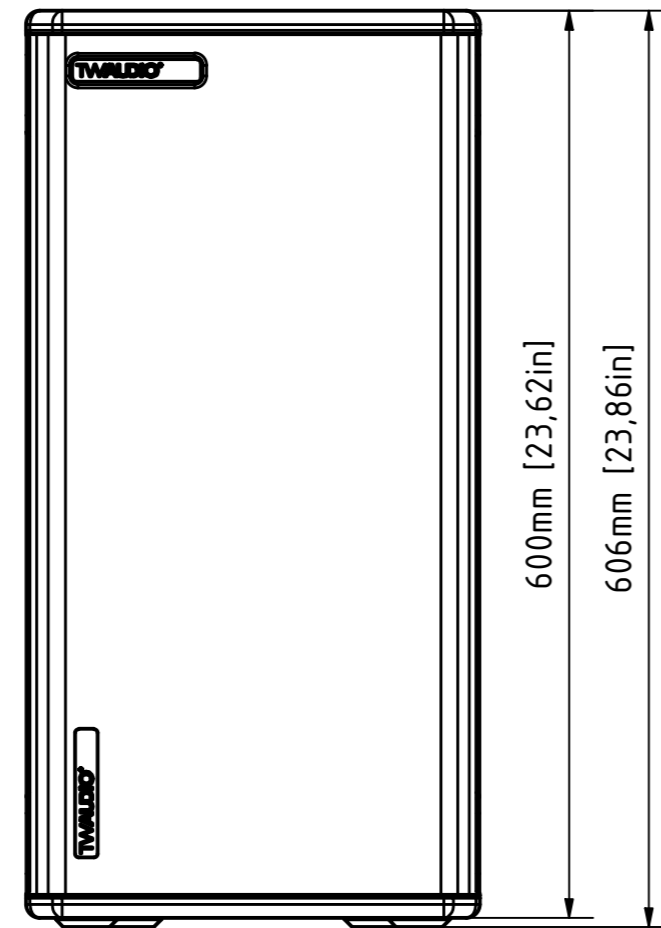


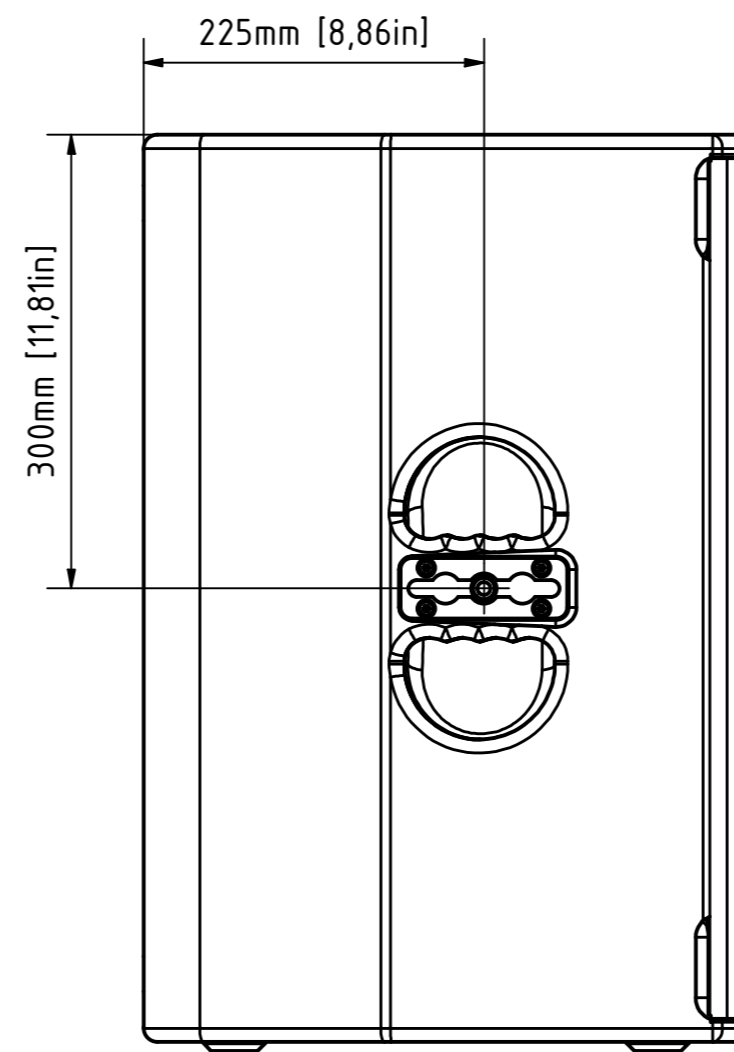
bottom view



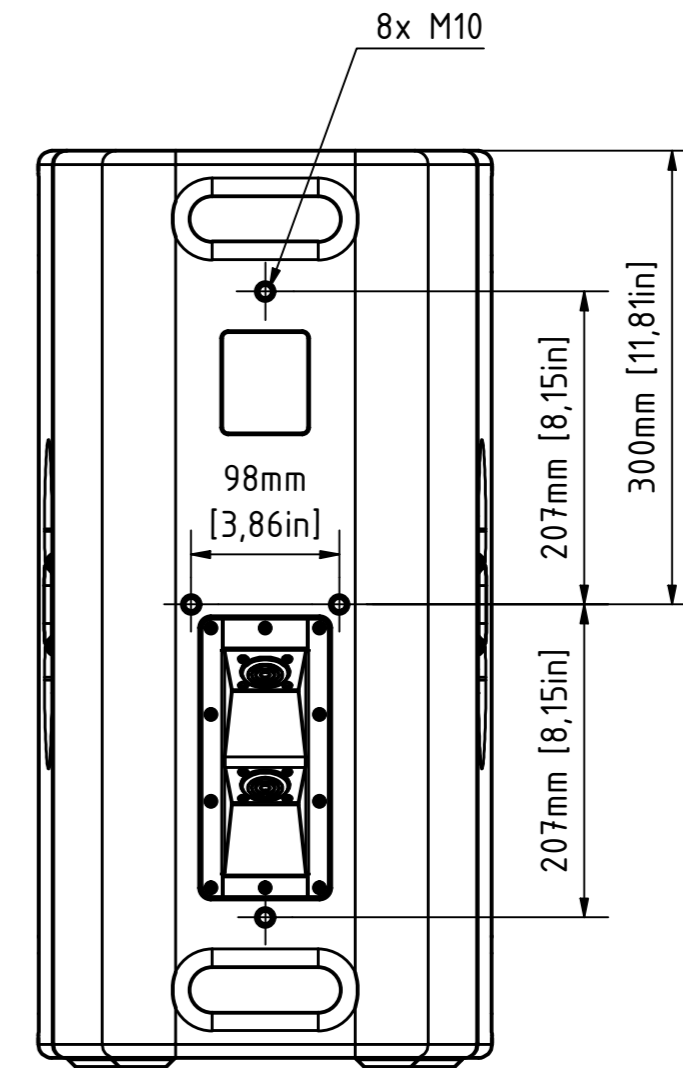
right view



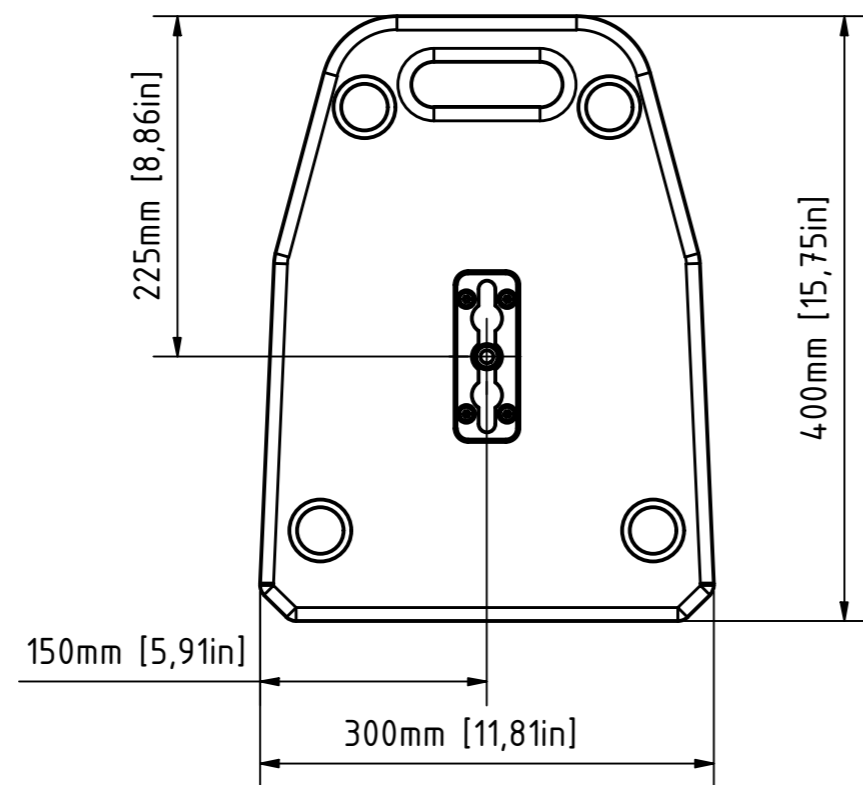
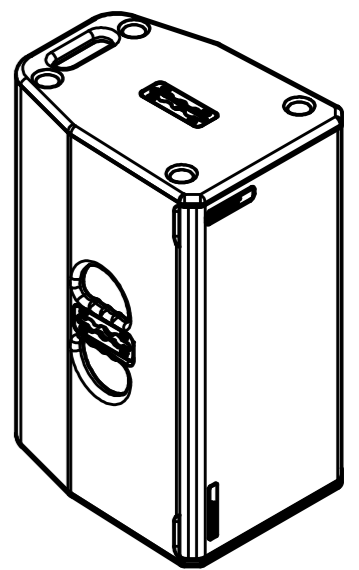
front view



left view



rear view



top view

| | | | | |
|---|------------------|-----------------|---------------------------|--------------|
| 1 | Address modified | | 08.12.2021 | Heike Konrad |
| rev. no. | | description | date | modified by |
| revision process | | | | |
| TWAUDIO Karl-Hofer-Str. 42 14163 Berlin www.twaudio.de | | scale: | | |
| All rights to this drawing reserved in accordance with ISO 16016. Copying and distribution by manufacturer's permission only. | | weight: | 22 kg [49 lbs] | |
| general tolerance ISO 2768-mK ISO 13920-BF ISO 9013-IIA/K according to ISO 8015 | | document type: | overview drawing | |
| edges according to ISO 13715 surfaces (Ra) array 2 array 3 DIN ISO 1302 | | status type: | released | |
| | | order number: | 2925 | |
| | | type: | T20 | |
| | | date | name | |
| | | constructed | 14.12.2015 B. Letzgus | |
| | | drawn: | 11.03.2015 Stefan Ullrich | |
| | | checked: | | |
| | | approved: | 08.12.2021 Heike Konrad | |
| | | drawing number: | TWA-T20-0001 | |
| | | revision no.: | 1 | |
| | | sheet: | 1 / 1 | |
| | | | Az | |