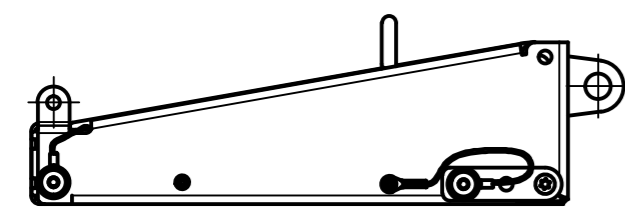
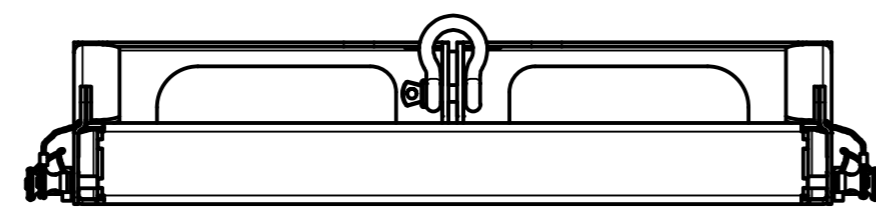


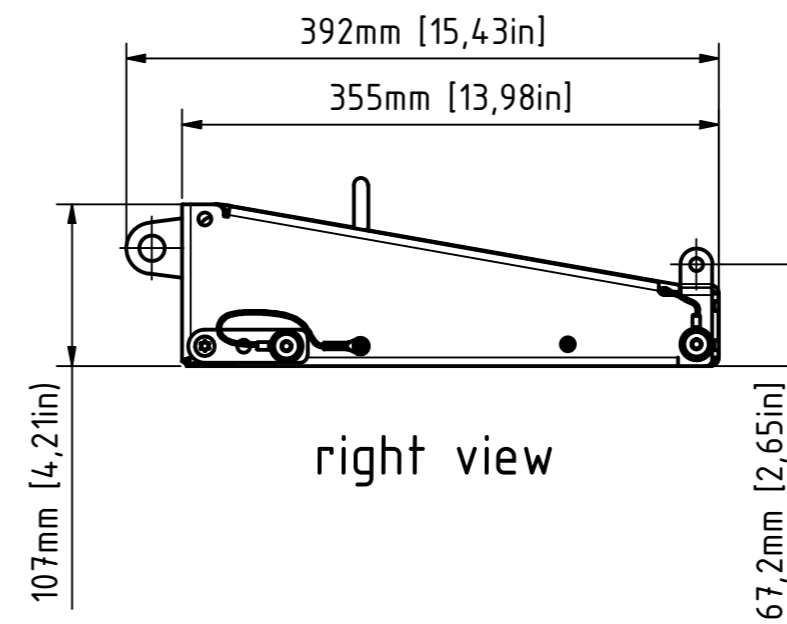
bottom view



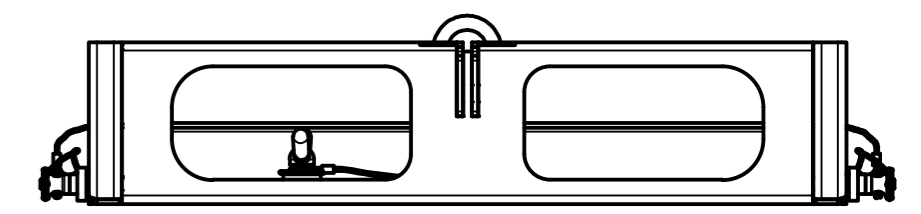
left view



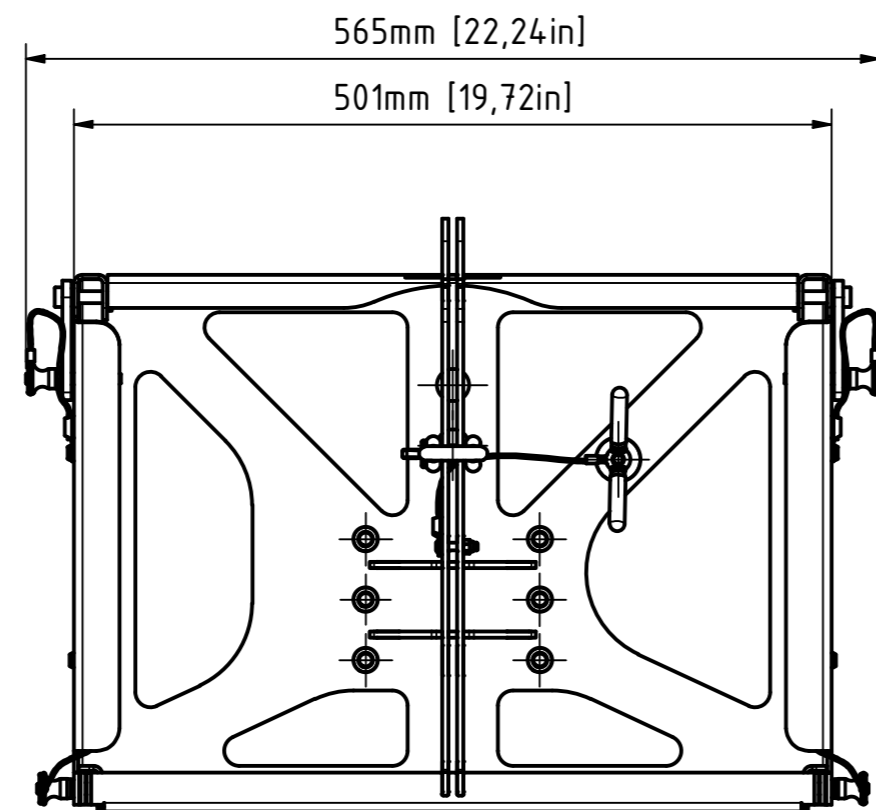
front view



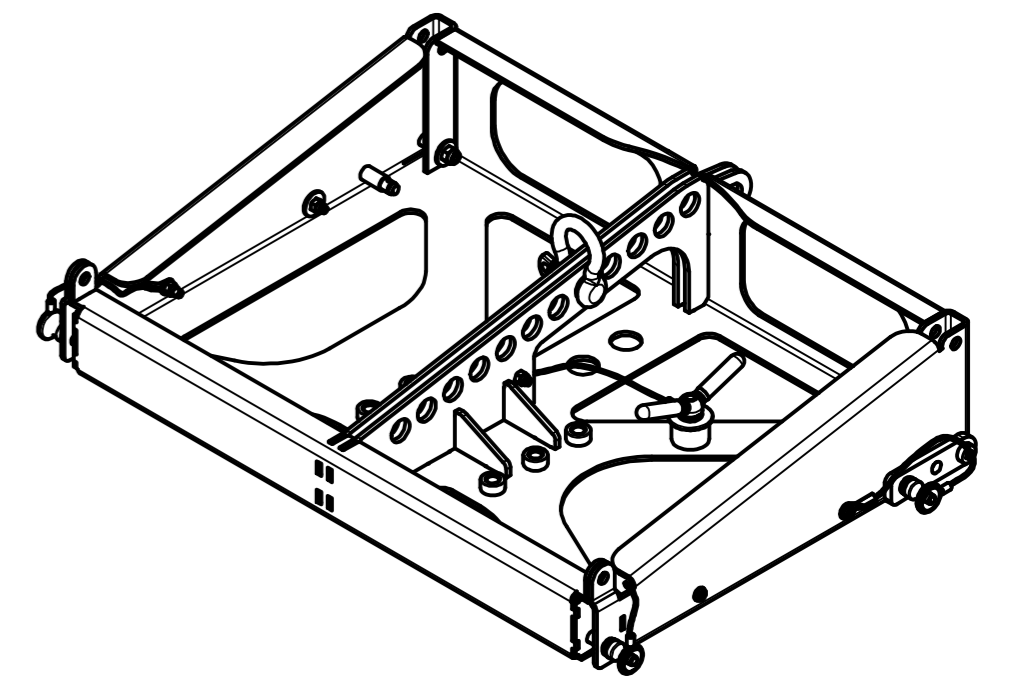
right view



rear view



top view



1	Address modified		09.12.2021	Heike Konrad
rev. no.		description	date	modified by
revision process				
TWAUDIO Karl-Hofer-Str. 42 14163 Berlin www.twaudio.de		scale: 1:5 weight: 6,4 kg/ 14,1 lbs document type: overview drawing status type: released	order number: type: Universalframe VERA UF10	
All rights to this drawing reserved in accordance with ISO 16016. Copying and distribution by manufacturer's permission only.				
general tolerance ISO 2768-mK ISO 13920-BF ISO 9013-IIA/K according to ISO 8015	edges according to ISO 13715 surfaces (Ra) array 2 array 3 DIN ISO 1302	drawn: 31.07.2019 checked: approved: 09.12.2021	date: 26.03.2015 name: Stefan Ullrich Heike Konrad	revision no: 1 sheet: 1/1 Az
drawing number: TWA-UF10-0001			drawing number: TWA-UF10-0001	
C:\CAD-TW-AUDIO\CAD-Daten\Zubehor\VerstUF10_komplett1.dwg				