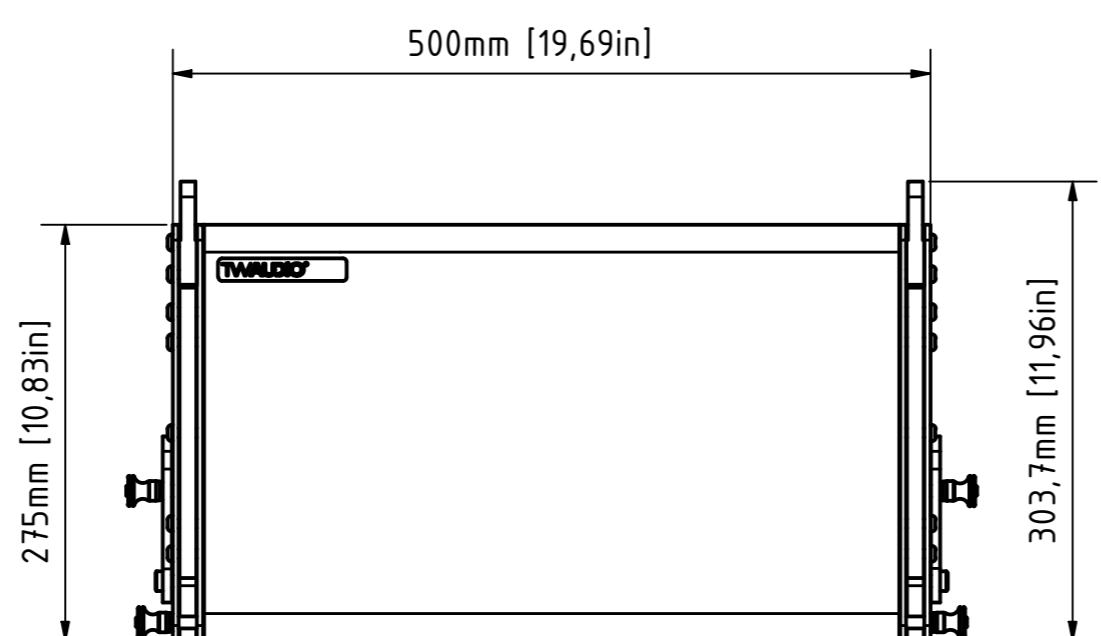
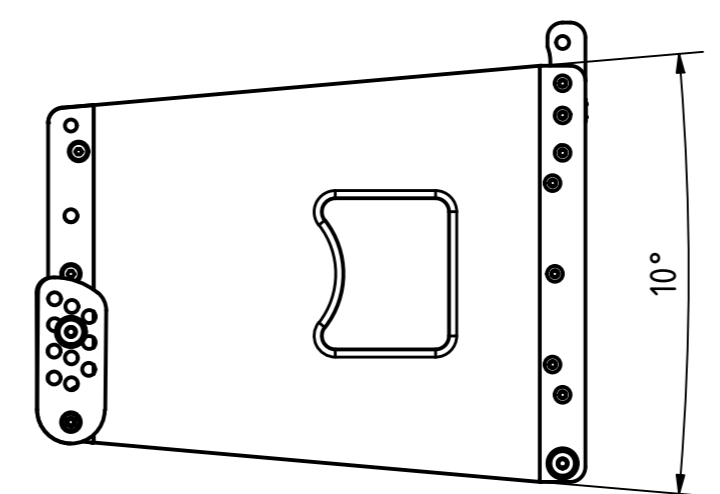


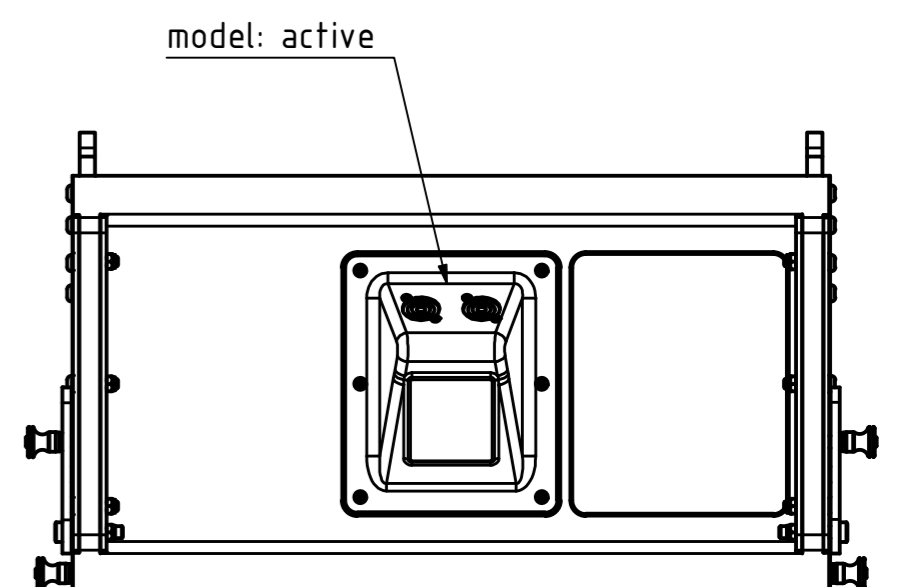
bottom view



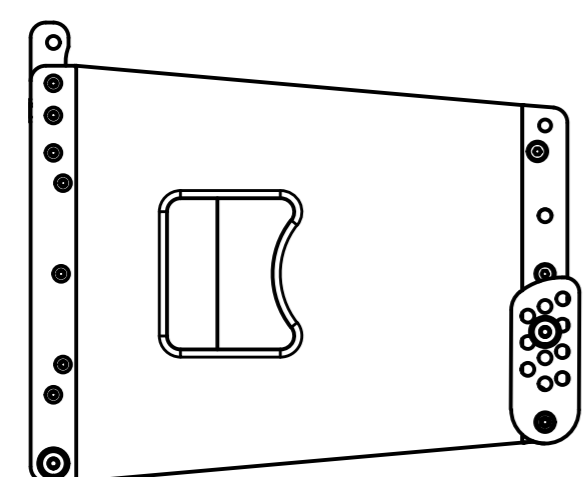
front view



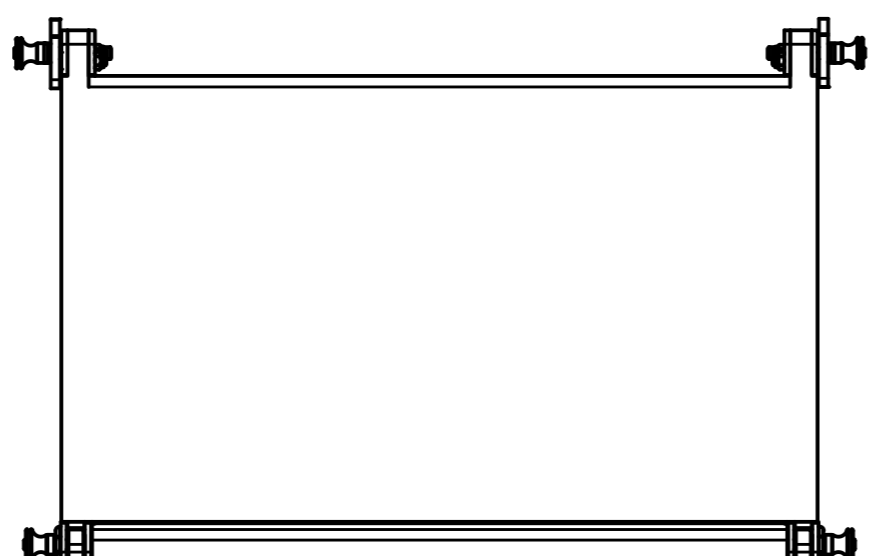
left view



rear view



right view



top view

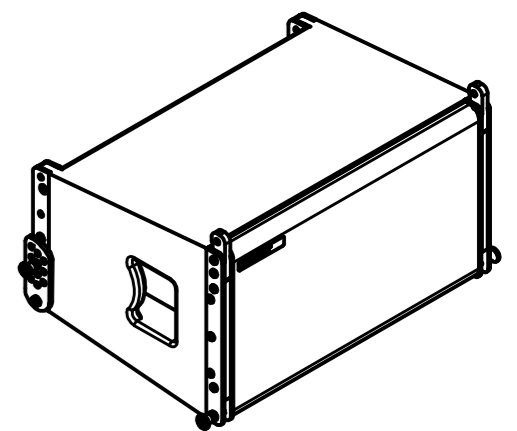


table	
model	weight
active	16 kg [36 lbs]
passive	18 kg [40 lbs]

1	Adress modified	08.12.2021	Heike Konrad
Rev.	Beschreibung	Datum	Geändert von
REVISIONSVERLAUF			
TWAUDIO Karl-Hofer-Str. 42 14163 Berlin www.twaudio.de		scale: weight: weight see table document type: overview drawing status type: released	order number: type: VERA10
All rights to this drawing reserved in accordance with ISO 16016. Copying and distribution by manufacturer's permission only.			
general tolerance ISO 2768-mK ISO 13920-BF ISO 9013-IIA/K according to ISO 8015	edges according to ISO 13715 surfaces (Ra) array 2 array 3 according to ISO 1302	date 22.09.2009 19.11.2009 08.12.2021	name Stefan Ullrich Stefan Ullrich Heike Konrad
drawing number: TWA-VERA10-0001		revision no: 1	sheet: 1 / 1 Az
<small>C:\CAD-TW-AUDIO\CAD-Daten\Produkte\VERA10\VERA10.dwg</small>			