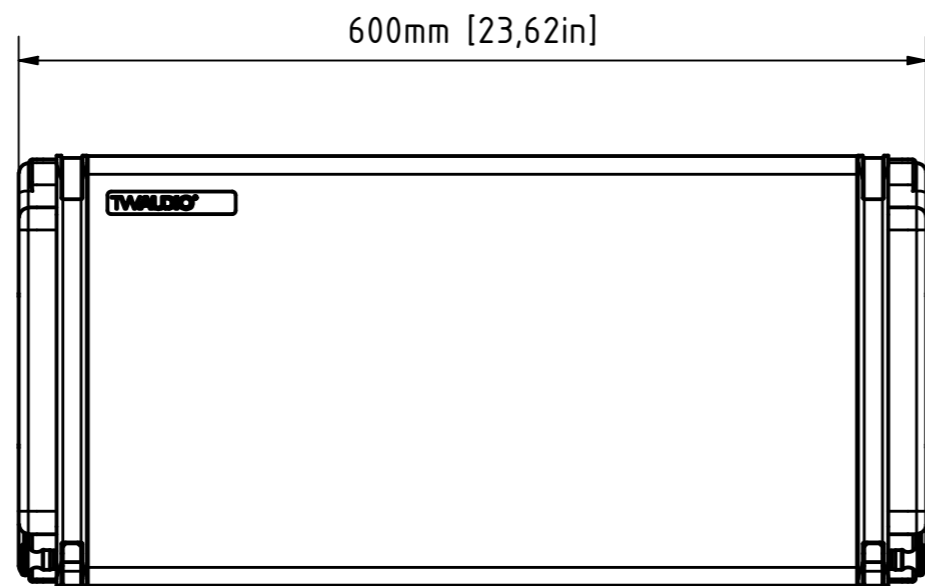
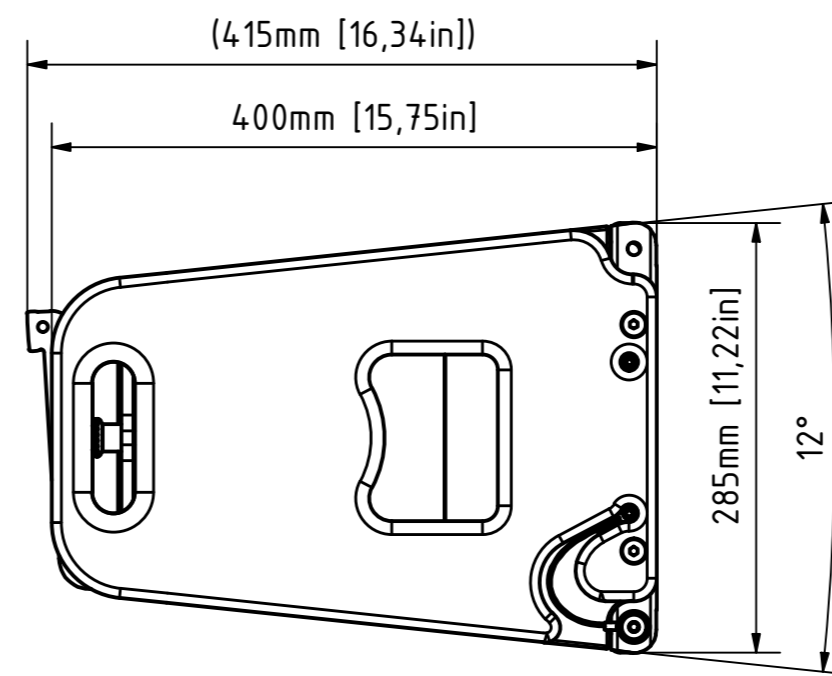


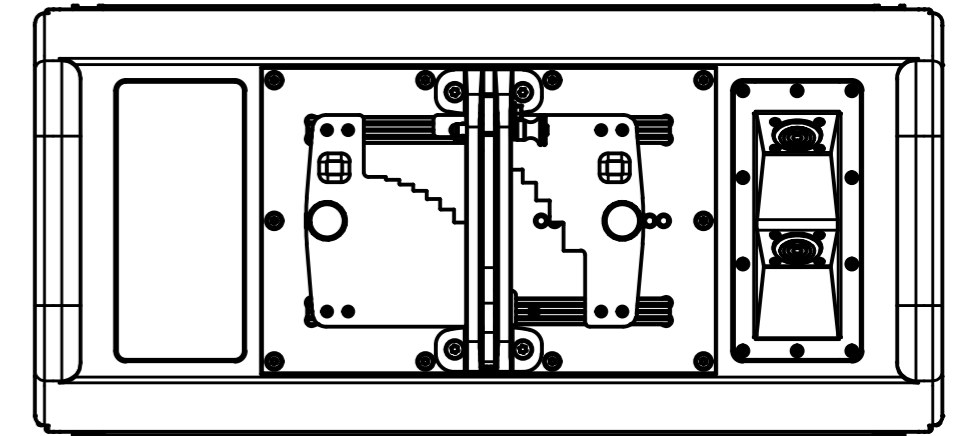
bottom view



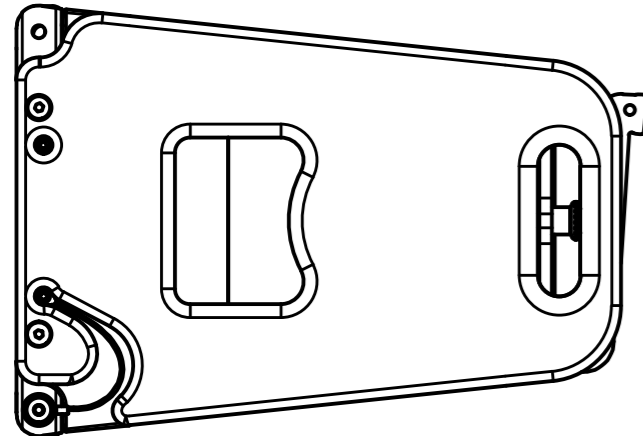
front view



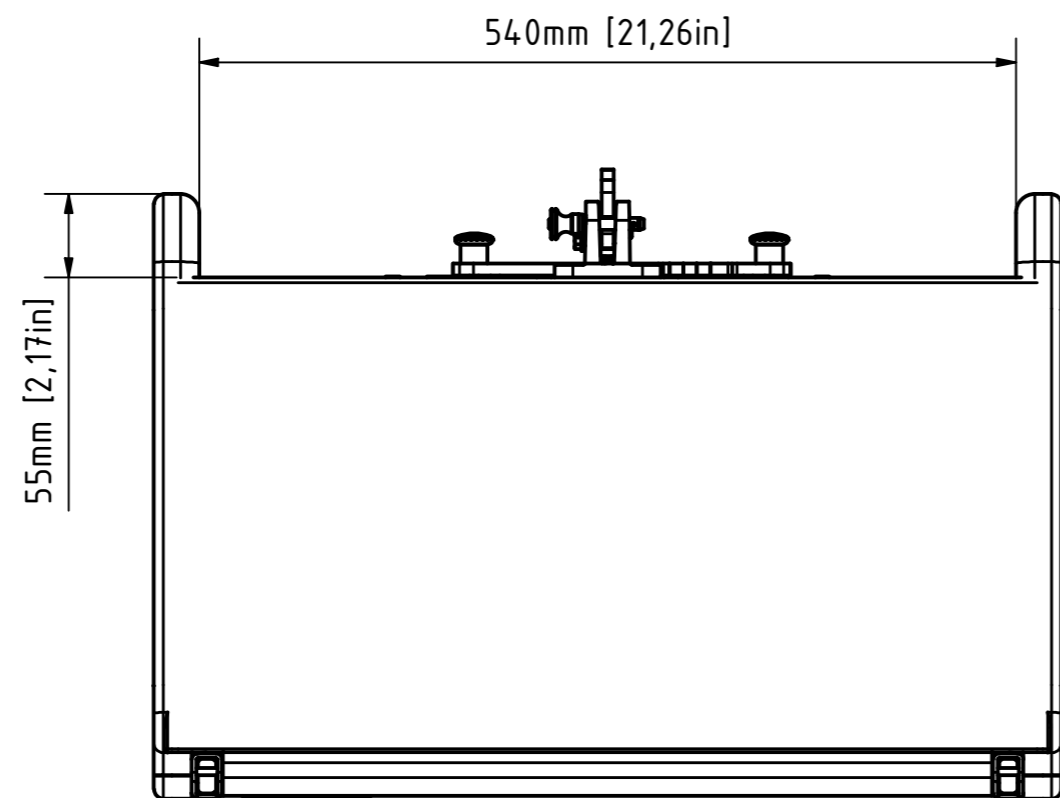
left view



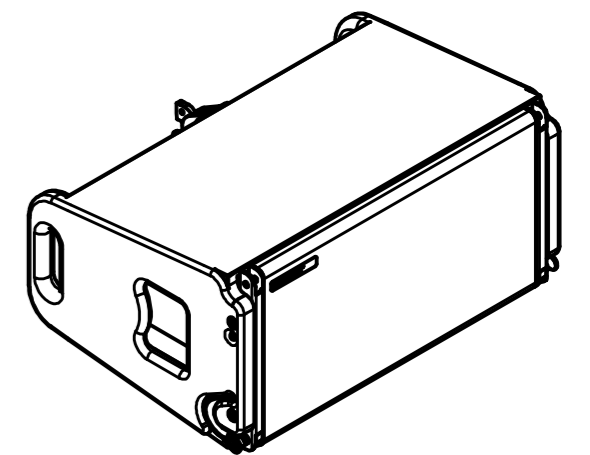
rear view



right view



top view



1	Address modified		08.12.2021	Heike Konrad
rev. no.	description		date	modified by
<b>revision process</b>				
<b>TWAUDIO</b> Karl-Hofer-Str. 42 14163 Berlin www.twaudio.de		scale: 1:5 (1:10)		
All rights to this drawing reserved in accordance with ISO 16016. Copying and distribution by manufacturer's permission only.		weight: 24 kg [53 lbs]		
general tolerance ISO 2768-mK ISO 13920-BF ISO 9013-IIA/K according to ISO 8015		document type: overview drawing	order number:	
edges according to ISO 13715 surfaces (Ra) array 2 array 3 DIN ISO 1302		status type: released	type: VERA20	
		date: 28.08.2017	name: Stefan Ullrich	
		checked: 08.12.2021	name: Heike Konrad	
		approved: 08.12.2021	name: Heike Konrad	
		drawing number: TWA-VERA20-0001		revision no: 1
				sheet: 1/1
				Az