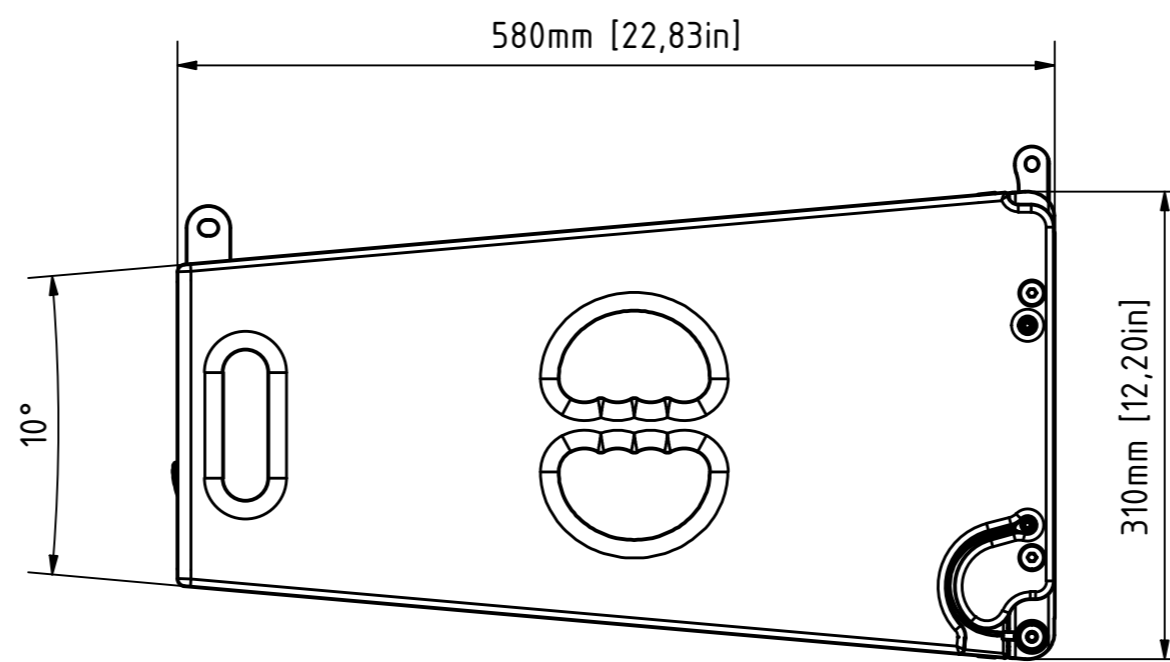
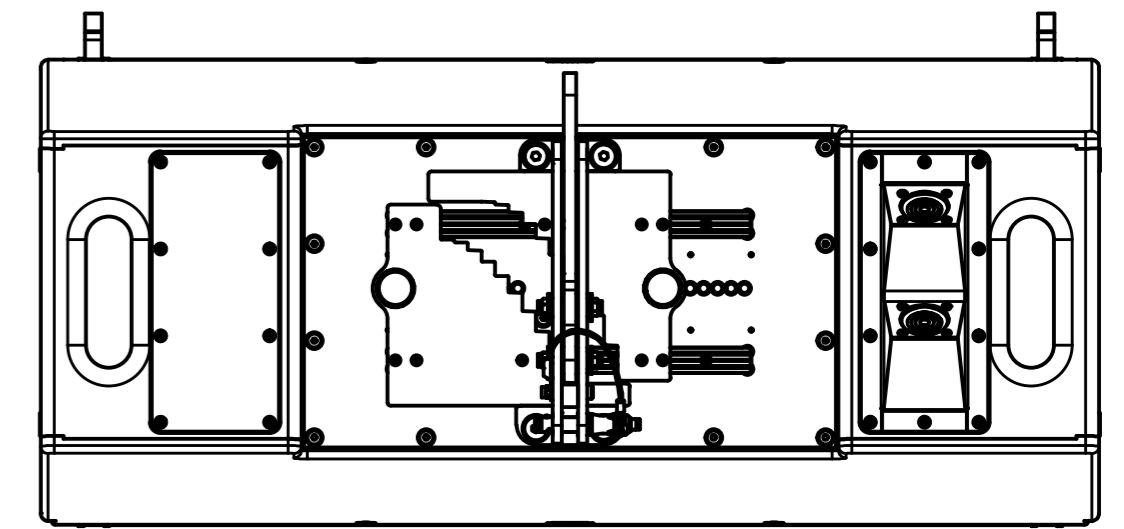


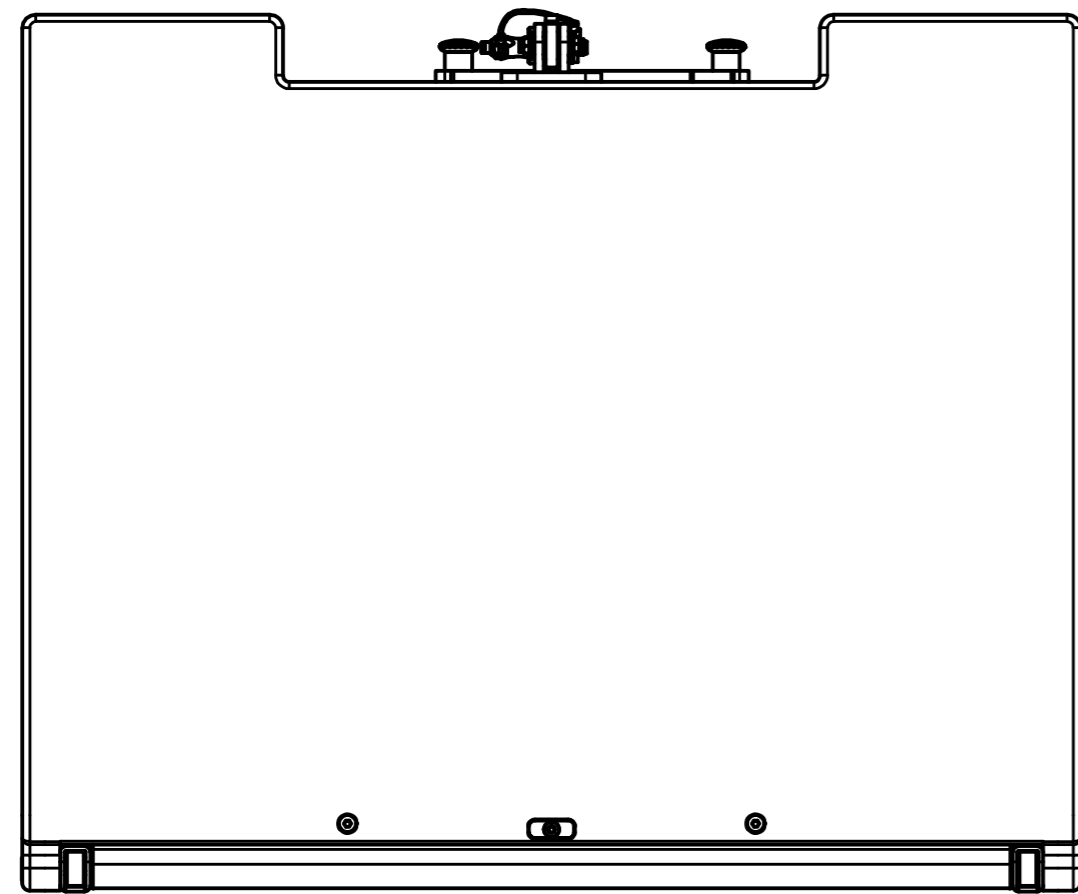
front view



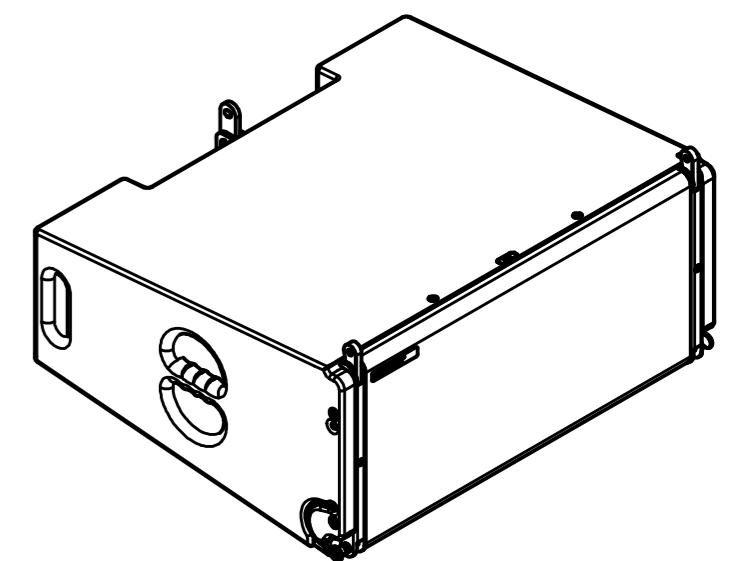
side view



back view



top view



1	Address modified		08.12.2021	Heike Konrad
rev. no.		description	date	modified by
revision process				
TWAUDIO Karl-Hofer-Str. 42 14163 Berlin www.twaudio.de	scale:	1:5 (1:10)		
	weight:	4,6 kg [92 lbs]		
	document type:	overview drawing		
All rights to this drawing reserved in accordance with ISO 16016. Copying and distribution by manufacturer's permission only.	status type:	released		
	order number:	2117		
	type:	VERA36-80		
general tolerance ISO 2768-mK ISO 13920-BF ISO 9013-IIA/K according to ISO 8015	edges according to ISO 13715	date	name	
	surfaces (Ra)	constructed	13.02.2013 Stefan Ullrich	
	array 2 array 3 DIN ISO 1302	checked:	13.05.2013 Stefan Ullrich	
	approved:	08.12.2021	Heike Konrad	
drawing number:		TWA-VERA36-0001		revision no. sheet: 1 2
C:\CAD_TW_AUDIO\CAD-Daten\Produkt\Twa\vera36\VERA36_kpl.dwg				