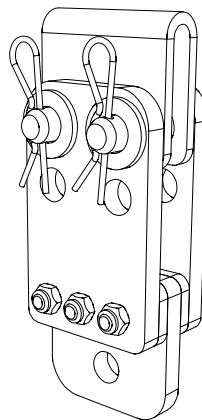


BAT24

Assembly Instructions



Introduction

Thank you for choosing a high-quality product “MADE IN GERMANY” from the brand TWAUDIÖ.

The adapter BAT24 is an accessory for the T24(N) loudspeaker.

It is characterized by a subtle look, a remarkable size to weight ratio and ease of use.

If you lend your product to another party, inform that party of the safety-related operating procedures and hand over this assembly guide. If you require additional copies of this manual, you can obtain them free of charge from TWAUDIÖ or download them from www.twaudio.de

Instructions in this user manual

Strictly adhere to the instructions contained in this operating manual that are marked as follows:



This symbol in combination with the signal word “Warning” identifies a potentially hazardous situation. Failure to comply with this safety instruction can lead to serious injury or even death.



This symbol in combination with the signal word “Caution” identifies a potentially hazardous situation. Failure to comply with this safety instruction can lead to light or moderate injury.



This symbol in combination with the signal word “Note” identifies a potentially hazardous situation. Failure to comply with this safety instruction can lead to product damage.



This symbol in combination with the signal word “Tip” identifies additional information or notes that will simplify working with TWAUDIÖ products on the basis of practical experience.

Notes on the products

**Read manual
before use!**

Before using the device, carefully read the assembly instructions and keep it with the BAT24 adapter.

General information

Assembly instructions: OM-BAT24
Version 2.0 en, 08/2022
© by TWAMBO 2023; all rights reserved.

All information contained in this operating manual was correct to the best of our knowledge at the time of printing.

Quality warranties or assurance of suitability for a certain type of use based on the technical specifications, dimensions and weights are not granted by TWAMBO.

TWAMBO also shall not assume liability for any secondary damage (property damage and/or personal injury) nor for the failure to comply with this operating manual!

TWAMBO reserves the right to update this document based on recent developments.

TWAMBO GmbH
Karl-Hofer-Str. 42
14163 Berlin
Germany

Phone : + 49 (0) 71 41-48 89 89 0
Fax: + 49 (0) 71 41-48 89 89 99
E-Mail: info@twaudio.de
WWW: www.twaudio.de

Content

1. Safety | Intended use 5

2. Overview 7

 2.1 Components 7

3. Technical data 8

 3.1 Data sheet 8

4. Commissioning 9

 4.1 Setup 9

 4.2 Usage 9

 4.3 Wind load 9

 4.4 Preparing BAT24 adapter 10

 4.5 Preparing T24(N) loudspeaker 11

 4.6 Mounting step 1 - BAT24 adapter to MCT24 main-cradle-frame 12

 4.7 Mounting step 2 - BAT24 adapter to MCT24 main-cradle-frame 12

 4.8 Mounting step 3 - BAT24 adapter to MCT24 main-cradle-frame 13

 4.9 Mounting step 4 - BAT24 adapter to MCT24 main-cradle-frame 13

 4.10 General safety instructions for setting up the following rigging variants 14

 4.11 Mounting BAT24 adapter with BBT24, CBT24 and T24(N) loudspeaker 14

 4.12 Standard as well as maximum Variant 15

5. Transport and storage 16

6. CE Conformity Declaration 17

7. Disposal 17

1. Safety | Intended use

Please adhere to the following safety instructions to avoid risks when using accessories.

The BAT24 adapter was developed for use in professional sound systems. The adapter may only be used by trained and qualified personnel.

Note the operating modes described in this assembly instructions. Other uses are not permissible.

Damage caused by improper use is not covered by TWAMBO.



Before every operation, check the scope of delivery of the BAT24 adapter for its completeness and ensure that all parts are in perfect condition.

The scope of delivery includes specified components. Only use the recommended and certified components.



The BAT24 adapter may only used with the T24(N) loudspeaker.

This rigging manual describes how to use the BAT24 adapter correctly. Any other use shall be deemed improper and may result in damage or even injury.

Modifications or alterations to individual parts of the BAT24 adapter are not permitted! Danger to life!



The BAT24 adapter is designed both for indoor and outdoor use.



The BAT24 adapter may only be used by trained and qualified personnel. Personnel must check the BAT24 adapter for suitability before each use.



The BAT24 adapter must be taken out of operation immediately as soon as visible damage to the parts can be seen.



Please keep all elements of the BAT24 adapter away from children! The small parts can easily be swallowed and lead to suffocation!



When working with heavy loads exceeding 20 kg (44 lbs.), use suitable aids (dollies, hoisting slings, etc.). Multiple persons may be required depending on the situation.



The payload of the BAT24 adapter is designed for not more than six T24(N) loudspeaker. The following additional components are required for this: MCT24 main-cradle-frame, CBT24 cradle bar for flying, BCT24 rigging adapter and BLT24 Boxlink connecting cables on both sides of the T24(N) loudspeaker. Do not exceed this payload.



All screw connections should be checked when the BAT24 adapter is installed. If there are loose screws, tighten them. If this is no longer possible, the screws and nuts must be replaced.



Before mounting the BAT24 adapter check that e.g. trusses or ceilings are capable of carrying the payload of the components.



Make sure that no water pipes, electrical lines or any other lines are behind the intended place of mounting.



Only use wall plugs and screws which are suitable for the intended mounting and structural fabric. All screws must be set and tightened properly. Ensure that the fixing holes have the correct depth and diameter. Always use all fixing holes.



When moving (assembling, dismantling, maintaining) the BAT24 adapter with T24(N) loudspeaker, ensure sufficient space to prevent collisions with other objects.



Do not squeeze or twist the electrical cables of the T24(N) loudspeaker during the installation of the BAT24 adapter! The respective national electrotechnical rules and regulations are applicable.

2. Overview

2.1 Components

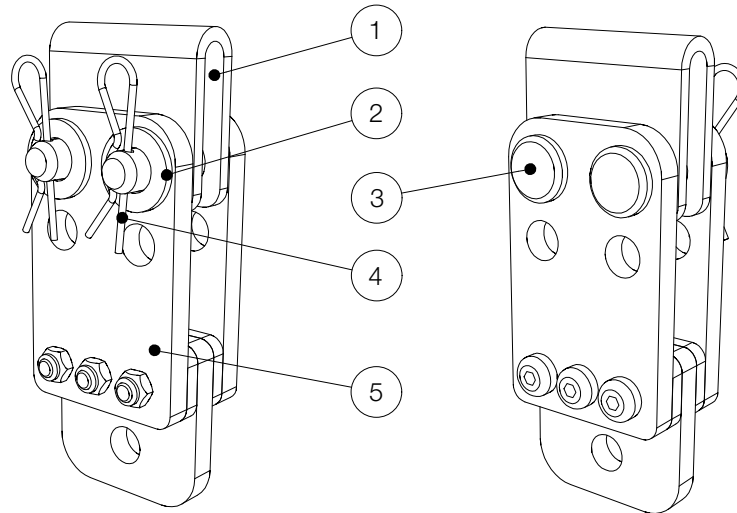


Figure 2.1 - Overview

- | | | |
|----|---------------------------------|----------|
| 1. | Distance plate | 1 piece |
| 2. | Washer (metal)..... | 2 pieces |
| 3. | Splint bolt 12x45/4,0 | 2 pieces |
| 4. | Safety locking splint 2x50..... | 2 pieces |
| 5. | Lower part, pre-mounted | 1 piece |

3. Technical data

3.1 Data sheet

<p>Standard variant:</p> <p>Maximum load capacity: for 1x BAT24 adapter</p> <p>in combination with: 1x MCT24 main-cradle-frame, 1x CBT24 cradle bar for flying, 2x BBT24 brackets and 2x BLT24 Boxlink-connecting cables on both sides of the T24(N) loudspeakers</p>	<p>2x T24N</p>
<p>Maximum variant:</p> <p>Maximum load capacity: for 1x BAT24 adapter</p> <p>in combination with: 1x MCT24 main-cradle-frame, 1x CBT24 cradle bar for flying, 6x BBT24 brackets and 10x BLT24 Boxlink-connecting cables on both sides of the T24(N) loudspeakers</p>	<p>6x T24N</p>
<p>Dimensions (h x w x d)</p>	<p>148 x 56 x 50,5 mm [5.83 x 2.2 x 1.99 in]</p>
<p>Weight</p>	<p>1,2 kg [2.6 lbs]</p>
<p>Surface</p>	<p>Powder-coated</p>

4. Commissioning

4.1 Setup

The BAT24 adapter is designed for hanging operation. TWAUDIÖ provides a wide range of accessories to securely attach the adapter.



Please note that setting up the BAT24 adapter always requires two persons!



TWAUDIÖ recommends using only the accessories specified by TWAUDIÖ for securing and mounting loudspeakers.

4.2 Usage



Note that the BAT24 adapter can only be used with the MCT24 main-cradle-frame in combination with the CBT24 cradle bar for flying as well as the BBT24 bracket for using T24(N) loudspeakers!

4.3 Wind load



Before setting up the system outdoors, consider unexpected wind conditions at the operation site!

Disassemble your system immediately when wind speeds exceed 8 bft (34 to 40 kn / 62 to 74 kph / 38.5 to 46 mph) and secure the system components!

Make sure that there are no persons in the immediate vicinity of the system structure!



Make sure that the system structures are not operated over the audience at wind speeds in excess of 6 bft (22 to 27 kn / 39 to 49 kph / 24.2 to 30.45 mph) and that there are no persons in the immediate vicinity of the system structure!

4.4 Preparing BAT24 adapter



Loosen positions 1 to 4 (see figure 2.1) as shown in figure 4.4. To do this, follow the sequence a to d.

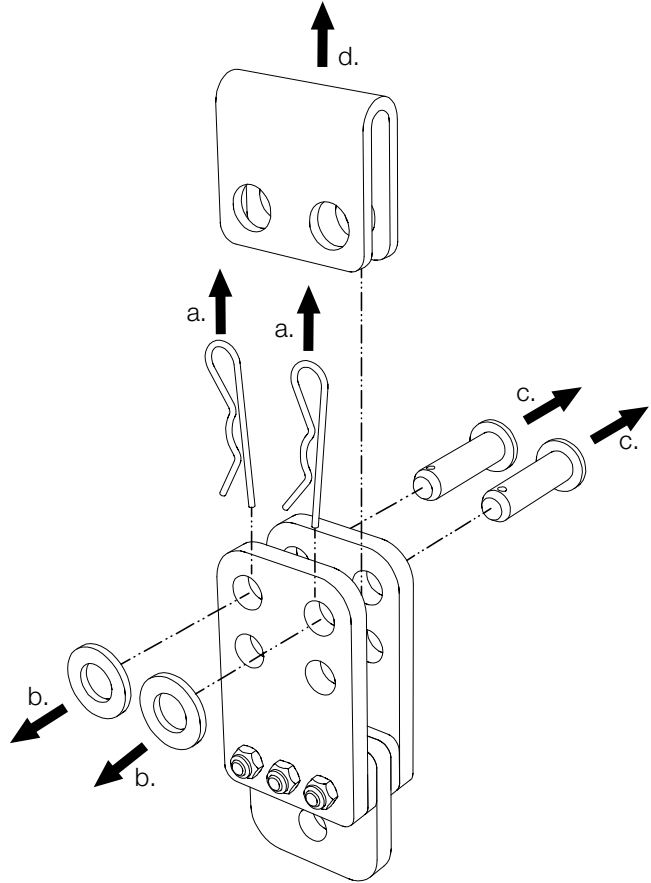


Figure 4.4 - Loosen positions 1 to 4

4.5 Preparing T24(N) loudspeaker



Attach the CBT24 cradle bar for flying to the T24(N) loudspeaker, or to the top T24(N) loudspeaker in an array application, as shown in figure 4.5.



Snap all Double Studs firmly into the flight panels of the T24N loudspeakers! Secure all Double Studs with the safety locking splints attached to safety wire ropes!



Check that all Double Studs are engaged and that they have been secured with safety locking splints!

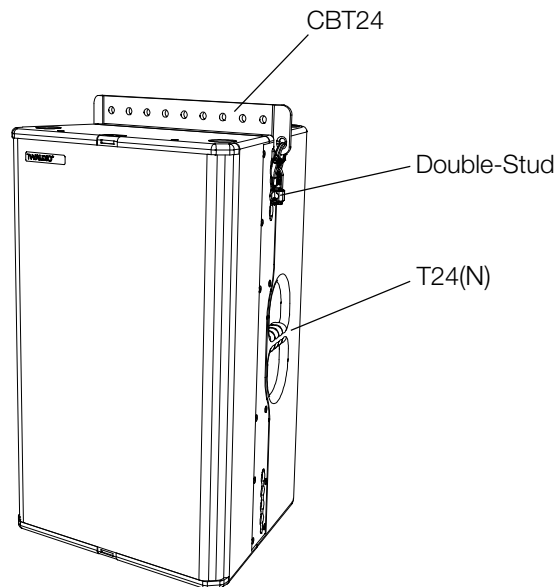


Figure 4.5 - Mounting CBT24 cradle bar for flying to T24(N) loudspeaker

4.6 Mounting step 1 - BAT24 adapter to MCT24 main-cradle-frame



Place the MCT24 main-cradle-frame on a non-slip surface. Then insert the pre-mounted lower part (see figure 2.1 - pos.5) of the BAT24 adapter from below to one of the side supports of the MCT24 main-cradle-frame as shown in figure 4.6.



Use the pin points of the MCT24 main-cradle-frame that are appropriate for your application.

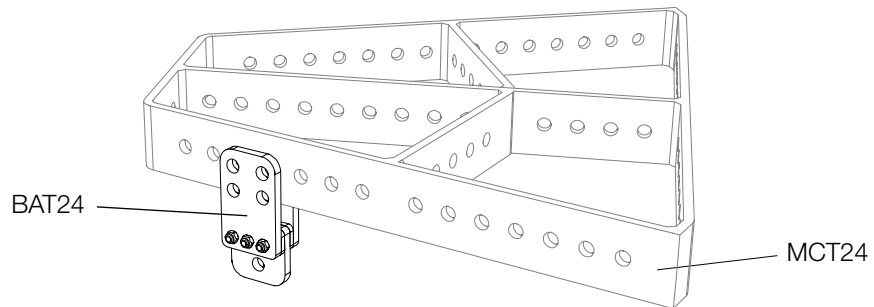


Figure 4.6 - Insertion of the BAT24 adapter

4.7 Mounting step 2 - BAT24 adapter to MCT24 main-cradle-frame



Then insert the distance plate (see figure 2.1 - Pos.1) of the BAT24 adapter from above onto the side support of the MCT24 main-cradle-frame as shown in figure 4.7.

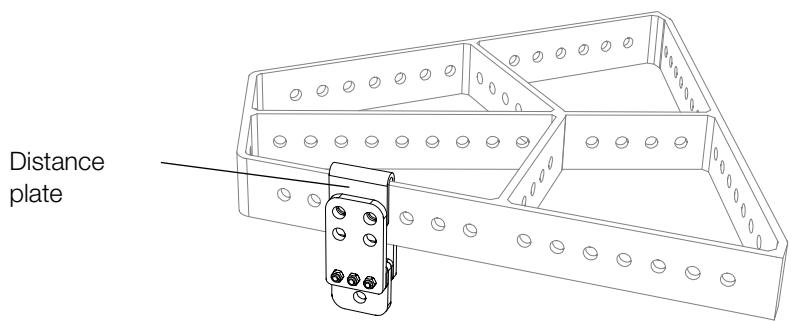


Figure 4.7 - Inserting the distance plate of the BAT24 adapter

4.8 Mounting step 3 - BAT24 adapter to MCT24 main-cradle-frame



Re-insert the splint bolts as well as washers (2x each, see figure 2.1 - Pos.2 and 3) into the BAT24 adapter as shown in figure 4.8.

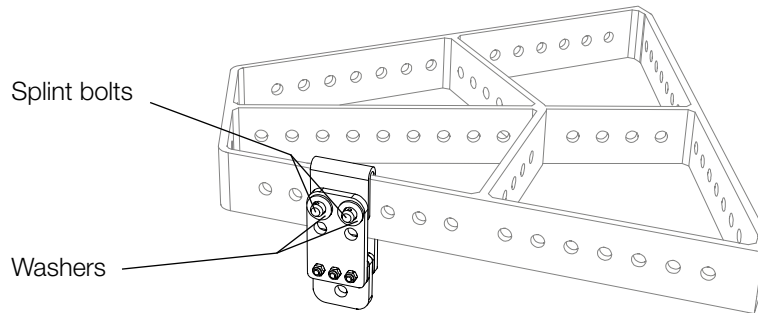


Figure 4.8 - Re-insert the splint bolts and washers

4.9 Mounting step 4 - BAT24 adapter to MCT24 main-cradle-frame



Then secure the splint bolts with the washers again using the safety locking splints (2x each, see figure 2.1 - Pos.4) as shown in figure 4.9.



Check that all splint bolts and washers are pushed through and that they have been secured with safety locking splints!

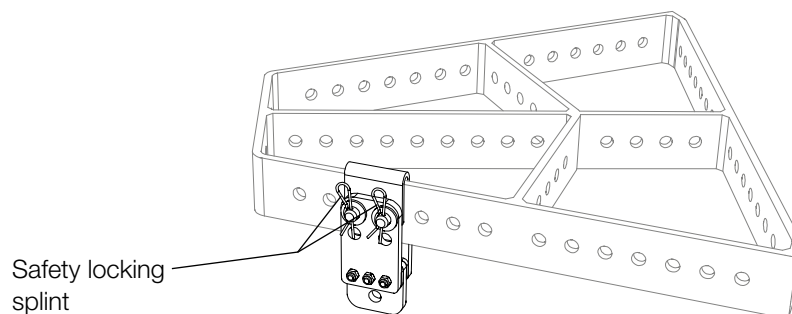


Figure 4.9 - Securing the splint bolts and washers with safety locking splints

4.10 General safety instructions for setting up the following rigging variants



Attach the ASK sling chain to four other pin points on the MCT24 main-cradle-frame for each system setup. Use a sling chain or chain hoist to hang the ASK sling chain with the system setup.



Use shackles that are designed according to the payload for each system setup.



For the secondary safety component, the respective national electrotechnical regulations apply.

4.11 Mounting BAT24 adapter with BBT24, CBT24 and T24(N) loudspeaker

After you have completed mounting step 4, the T24(N) loudspeaker can now be mounted to the BAT24 adapter as well as MCT24 main-cradle-frame.



1. Attach the shackle of the CBT24 cradle bar for flying to another pin point with another shackle designed according to the total weight.
2. Before mounting the BBT24 bracket, observe its assembly and safety instructions!
3. Now connect the BBT24 bracket with the BAT24 adapter via the upper locking pin of the BBT24 bracket!

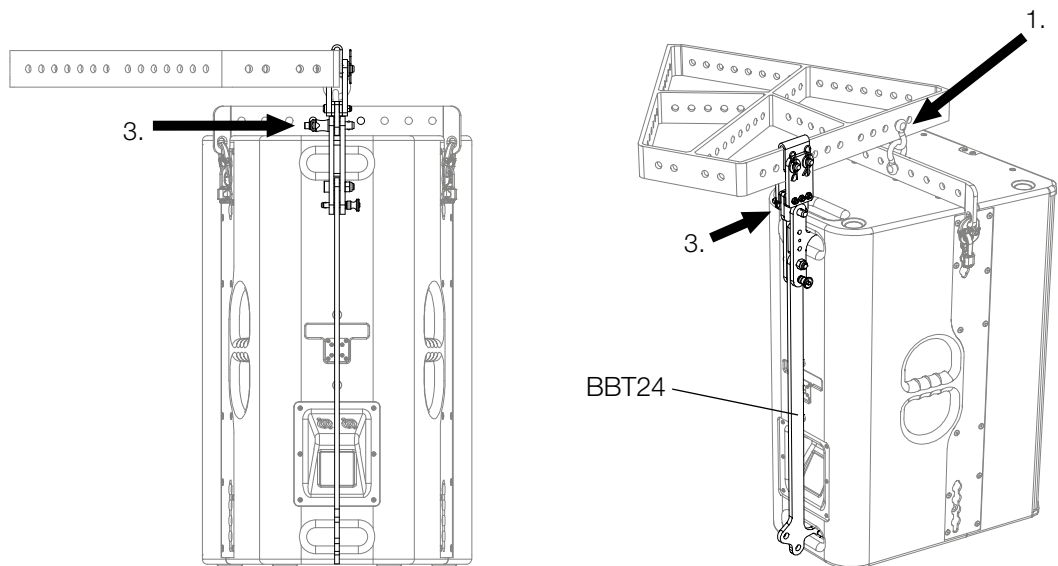


Figure 4.11 - Connecting BAT24 with BBT24 and MCT24



WARNING

Check that all quick-locking pins are always completely inserted!

4.12 Standard as well as maximum Variant



NOTE

The standard variant has established itself in which two T24(N) loudspeakers are used with two BBT24 brackets, a CBT24 cradle bar for flying and a BAT24 adapter. (See figure 4.12)

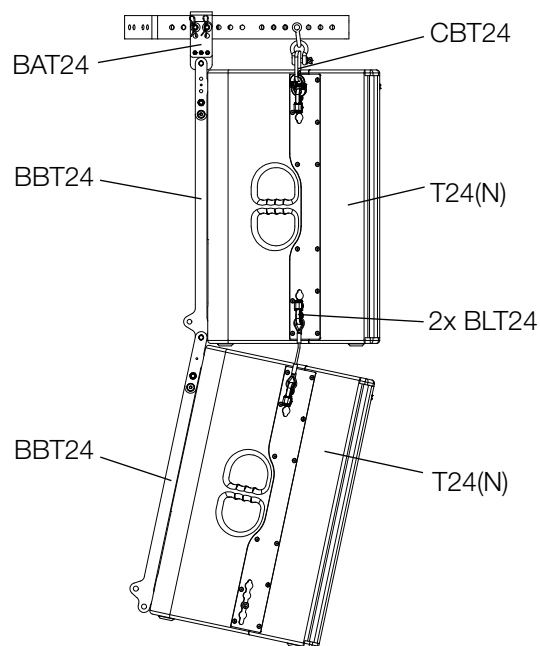


Figure 4.12 - Standard variant



WARNING

Connect a maximum of six T24(N) loudspeakers to each other using the BBT24 brackets (6 pieces) and the BLT24 Boxlink connector cables (10 pieces). The BLT24 Boxlink connector cables on both sides of the T24(N) loudspeakers.



WARNING

Any influences on your system setup, such as leaning against objects (or people) and flying objects around, be refrained from!

5. Transport and storage



NOTE

Ensure that the surface of the adapter is not damaged during transport and storage. Moisture may penetrate where steel surfaces are exposed by scratches and result in corrosion.

This is why the product should be transported in a safe, careful, dry and largely dust-free manner.

The following accessory parts for the adapter are available from TWAUDIÖ:

- Washer (metal)
- Splint bolt
- Safety locking splint

The original packaging is unsuitable as permanent storage and transport packaging.

6. CE Conformity Declaration

Copy and translation of the original CE Conformity Declaration:



We hereby declare that the below-referenced components by virtue of their design and construction, and in the configuration placed on the market by us, satisfy the safety and health requirements of the applicable EC directives. This declaration becomes invalid in case of modifications that have not been approved by us.

This declaration applies to the following components

- BAT24

as well as all model variants based on these, provided that they correspond to the original factory models and have not been technically modified in any way.

Applicable directives:

- 2001/95/EG

Applicable national standards and technical specifications:

- DIN EN 18800
- DIN EN ISO 12100
- DGUV Vorschrift 17 und 18

Berlin, Germany, January 1st, 2021

A handwritten signature in black ink, appearing to read 'Wüstner', is positioned above the printed name 'Bernhard Wüstner'.

Bernhard Wüstner

7. Disposal

If you have any question regarding the disposal of used devices, please contact us under the following telephone number:

+49 (0) 71 41 - 48 89 89 0

In countries outside of the European Union, comply with local regulations.

TWAMBO GmbH
Karl-Hofer-Str. 42
14163 Berlin
Germany

Phone: + 49 (0) 71 41-48 89 89 0
Fax: + 49 (0) 71 41-48 89 89 99
E-Mail: info@twaudio.de
WWW: www.twaudio.de