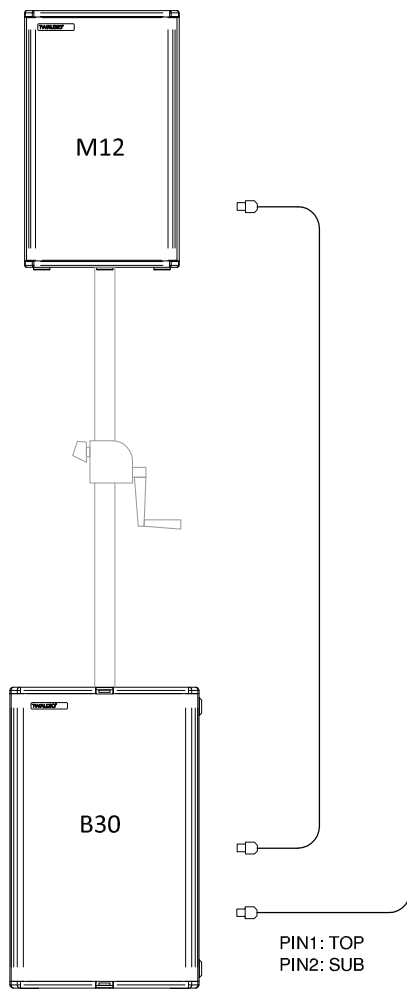


TW AUDIO®

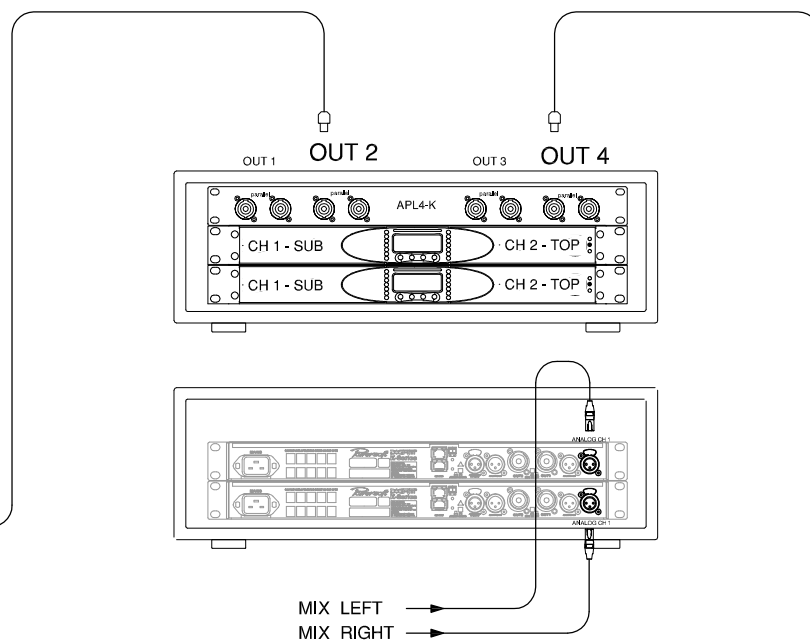
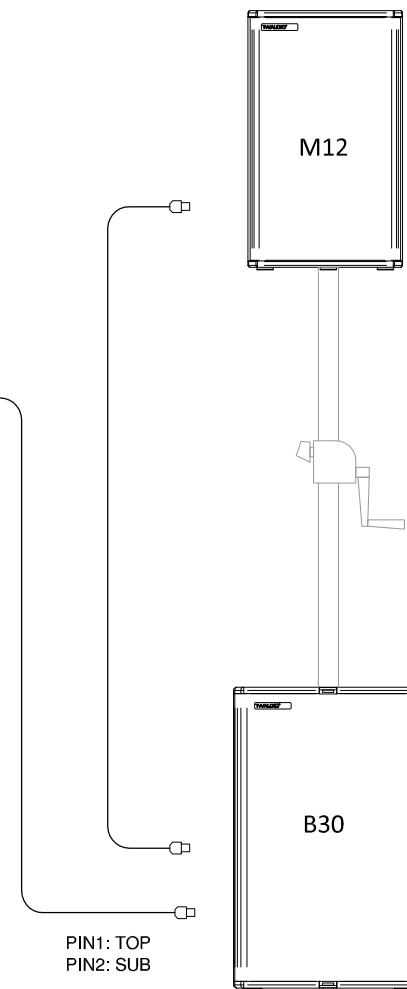
PA-SYS-TWO

PRESET NAME			
	CHANNEL 1	CHANNEL 2	
AMP 1	BS30	M12-cut	A03
AMP 2	BS30	M12-cut	A03

LEFT SIDE



RIGHT SIDE



- 2 x LSK-44-025 — 2.5 m
- 2 x LSK-44-200 — 20 m

Before connecting loudspeakers to the APL4 panel always make sure that connection between amplifiers and APL4 is correct.
For more details refer to *system rack3m-k3dsps with apl4* document available on TW AUDIO website.

Distance poles with hand cranks are not included in PA-SYS-TWO system content