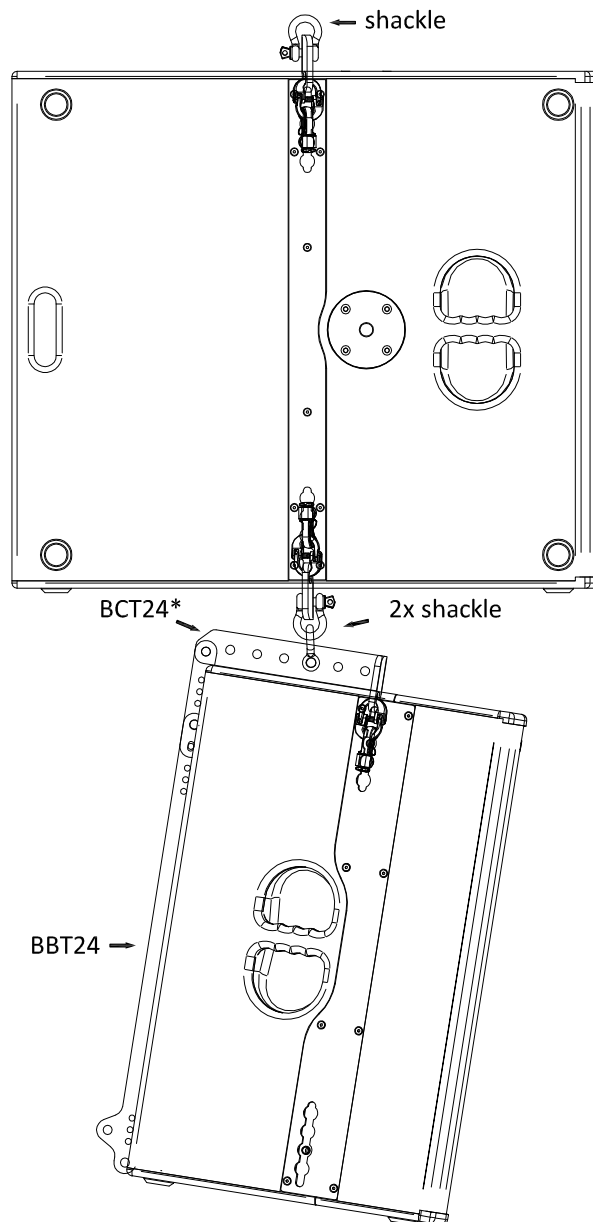
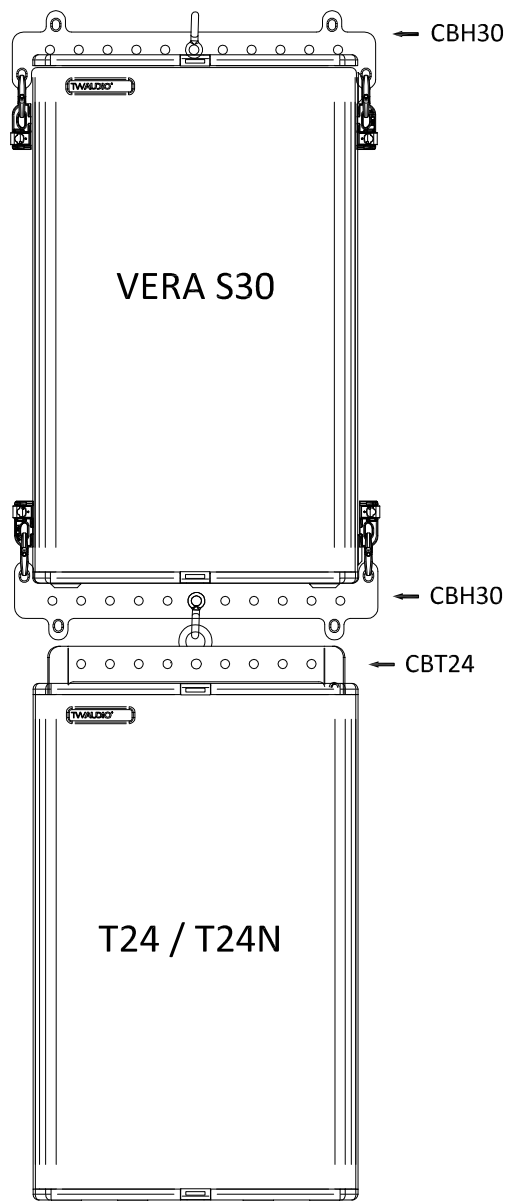
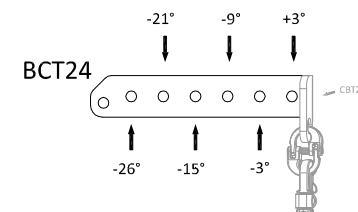


TWAUDIO®

T24/ T24N flown with VERA S30



*T24/ T24N possible vertical angle settings**



** refer to single T24/ T24N flown below single VERA S30.

REQUIRED ACCESSORIES

2x	CBH30 - cradlebar to fly VERA S30
1x	CBT24 - cradlebar to fly T24/ T24N
1x	BBT24 - bracket for the rear side of T24/T24N
1x	BCT24 - adapter for connecting BBT24 with the CBT24
3x	Shackle