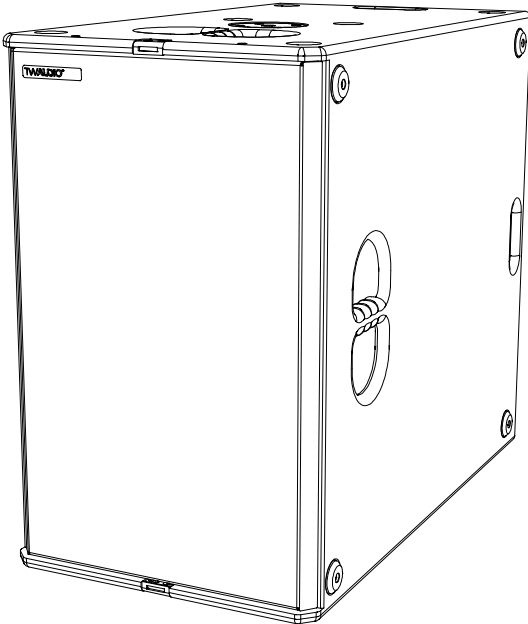


TC30

Operation manual



Introduction

Thank you for choosing a high-quality product “MADE IN GERMANY” from the brand TWAUDIÖ.

The TC30 toolcase is an accessory for the B30 loudspeaker.

This accessory set is characterized by a subtle look, a remarkable size to weight ratio and ease of use.

If you lend your product to another party, inform that party of the safety-related operating procedures and hand over this assembly guide. If you require additional copies of this manual, you can obtain them free of charge from TWAUDIÖ or download them from www.twaudio.de

Instructions in this user manual

Strictly adhere to the instructions contained in this operating manual that are marked as follows:



This symbol in combination with the signal word “Warning” identifies a potentially hazardous situation. Failure to comply with this safety instruction can lead to serious injury or even death.



This symbol in combination with the signal word “Caution” identifies a potentially hazardous situation. Failure to comply with this safety instruction can lead to light or moderate injury.



This symbol in combination with the signal word “Note” identifies a potentially hazardous situation. Failure to comply with this safety instruction can lead to product damage.



This symbol in combination with the signal word “Tip” identifies additional information or notes that will simplify working with TWAUDIÖ products on the basis of practical experience.

Notes on the products

**Read manual
before use!**

Before using the device, carefully read the operating manual and keep it with the TC30 toolcase.

General information

Operation manual: OM-TC30
Version 2.0 en, 07/2022
© by TWAMBO 2022; all rights reserved.

All information contained in this operating manual was correct to the best of our knowledge at the time of printing.

Quality warranties or assurance of suitability for a certain type of use based on the technical specifications, dimensions and weights are not granted by TWAMBO.

TWAMBO also shall not assume liability for any secondary damage (property damage and/or personal injury) nor for the failure to comply with this operating manual!

TWAMBO reserves the right to update this document based on recent developments.

TWAMBO GmbH
Karl-Hofer-Str. 42
14163 Berlin
Germany

Phone : + 49 (0) 71 41-48 89 89 0
Fax: + 49 (0) 71 41-48 89 89 99
E-Mail: info@twaudio.de
WWW: www.twaudio.de

Content

1. Safety Intended use.....	5
2. Overview	7
2.1 Components	7
3. Technical specifications	8
3.1 Data sheet.....	8
4. Commissioning.....	9
4.1 Setup	9
4.2 Wind load.....	9
4.3 System setup with TC30	10
4.4 M20 pole mount flange.....	11
5. Transport and Storage.....	13
6. CE Conformity Declaration.....	14
7. Disposal	15

1. Safety | Intended use

Please adhere to the following safety instructions to avoid risks when using accessories.

The TC30 toolcase was developed for professional use in sound systems. The toolcase may only be used by trained and qualified personnel.

Note the operating modes described in this operating manual. Other uses are not permissible.

Damage caused by improper use is not covered by TWAMBO.



Before each use, check the integrity of the TC30 toolcase and ensure that all components are in perfect condition.



The TC30 toolcase may only be used with the B30 and T24N loudspeaker.

These operating manual describe how to use the TC30 toolcase. Any other use shall be deemed improper and may result in damage or even injury.

Modifications or alterations to individual parts of the TC30 toolcase are not permitted! Danger to life!



When working with heavy loads exceeding 20 kg (44 lbs.), use suitable aids (dollies, hoisting slings, etc.). Multiple persons may be required depending on the situation.

Ensure that the units are in a stable position and are firmly attached. A falling loudspeaker can result in serious personal injury and property damage.

When using and assembling TWAUDIØ loudspeakers, only use materials specified by TWAUDIØ. These tasks must be performed by qualified personnel. Adhere to the applicable safety regulations.



The TC30 is an accessory designed both for indoor and outdoor use.



The TC30 toolcase may only be used by trained and qualified personnel. Personnel must check the TC30 for its full suitability before each use.



When visible damage to any part of the TC30 toolcase is detected, it must be decommissioned immediately.



When moving the TC30 toolcase, ensure full load-bearing capacity and stability of the substrate.

The TC30 toolcase is specified for a load of not more than one T24N loudspeaker. This load capacity must never be exceeded!



During movement (assembly or dismantling, transport to the place of use) of the TC30 toolcase with the B30 or T24N loudspeaker, ensure sufficient space to prevent collisions with other objects.

2. Overview

2.1 Components

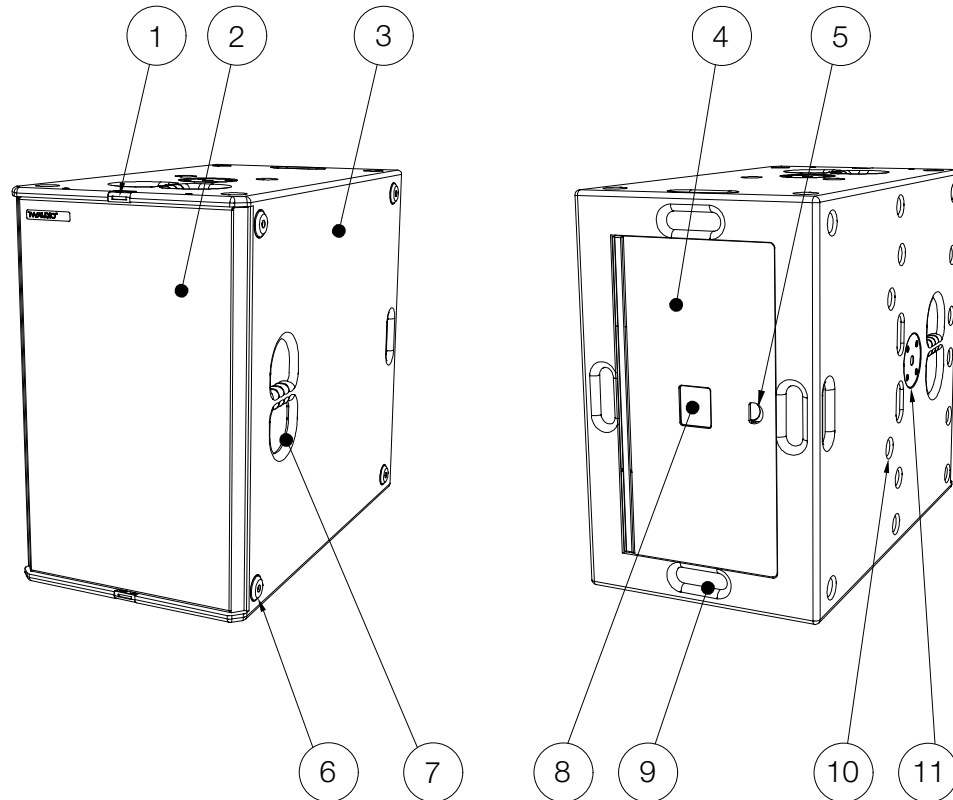


Figure 2.1 - Overview

1. Dolly latch base to attach the TWAUDIÖ B30 front dolly
2. Front grill
3. 15 mm multiplex housing – Warnex texture paint surface finish
4. Flap for opening the toolcase
5. Latch for closing the flap
6. Rubber feet (8 pieces)
7. Ergonomic carrying handle (top and bottom, left and right)
8. Type label
9. Carrying handle (rear, top and bottom, left and right)
10. Milling for rubberfeet for safely stacking loudspeakers
11. M20 pole mount flange for attaching a distance rod

3. Technical specifications

3.1 Data sheet

Maximum load capacity	1x T24N
Dimensions (h x w x d)	706 x 446 x 800mm [27.8 x 17.6 x 31.5in]
Weight	29,6kg [65.3lbs]
Surface	Warnex textured paint

4. Commissioning

4.1 Setup

The TC30 toolcase is designed for standing, vertical and horizontal operation.



Make sure that all system structures are located on a firm, level surface and that the surface can bear the total weight!



Make sure the speakers are securely fastened to prevent personal injury and property damage. Secure stacked loudspeakers properly so that they can be tipped by 10° in any direction without toppling.



TWAUDIÖ recommends using only the accessories specified by TWAUDIÖ for securing and mounting loudspeakers.

4.2 Wind load



Before setting up the system outdoors, consider unexpected wind conditions at the operation site!

Disassemble your system immediately when wind speeds exceed 8 bft (34 to 40 kn / 62 to 74 kph / 38.5 to 46 mph) and secure the system components!

Make sure that there are no persons in the immediate vicinity of the system structure!



Make sure that the system structures are not operated over the audience at wind speeds in excess of 6 bft (22 to 27 kn / 39 to 49 kph / 24.2 to 30.45 mph) and that there are no persons in the immediate vicinity of the system structure!

4.3 System setup with TC30



Position a maximum of one B30 loudspeaker with one TC30 toolcase as well as one T24N loudspeaker on top of each other. Make sure that the system setup is firmly in place to prevent it from tipping over.

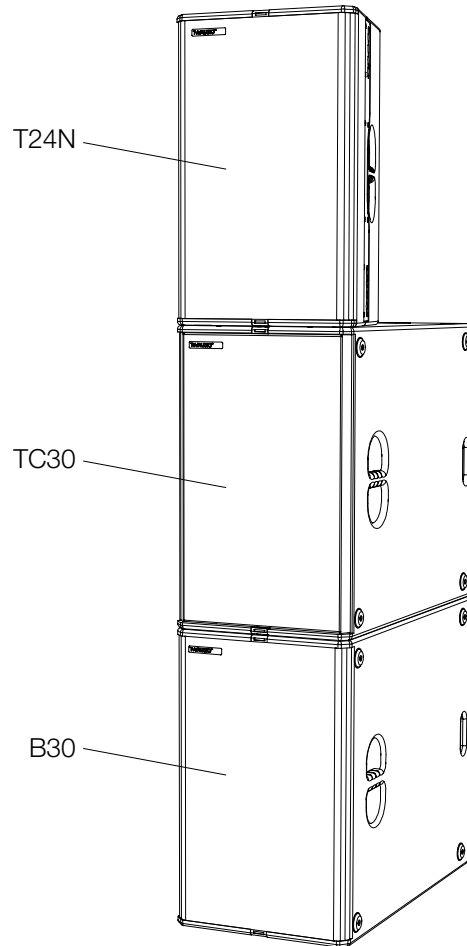


Figure 4.3 - System setup with TC30

4.4 M20 pole mount flange

For all system components mounted on top of the M20 pole mount flange, observe the respective operating instructions!

Also be sure to observe all of the following warnings:



Make sure that the maximum load of 50kg / 110lbs for the M20 pole mount flange is not exceeded! Figure 2.1 – Item 11.



Make sure that no unauthorized persons can access the system structures!

Cordon off the area professionally!



The M20 pole mount flange (figure 2.1- item 11) is not designed for side forces once mounted – do not apply any pressure from the sides.

Make sure that no external forces are applied to the system structures. No objects or persons should lean against the structures, no objects should be thrown against them. If pressure is applied on the flange the loudspeaker may be damaged or falling over.



Please note that only centered loads are allowed to be placed on the M20 pole mount flange – Figure 2.1 – Item 11.

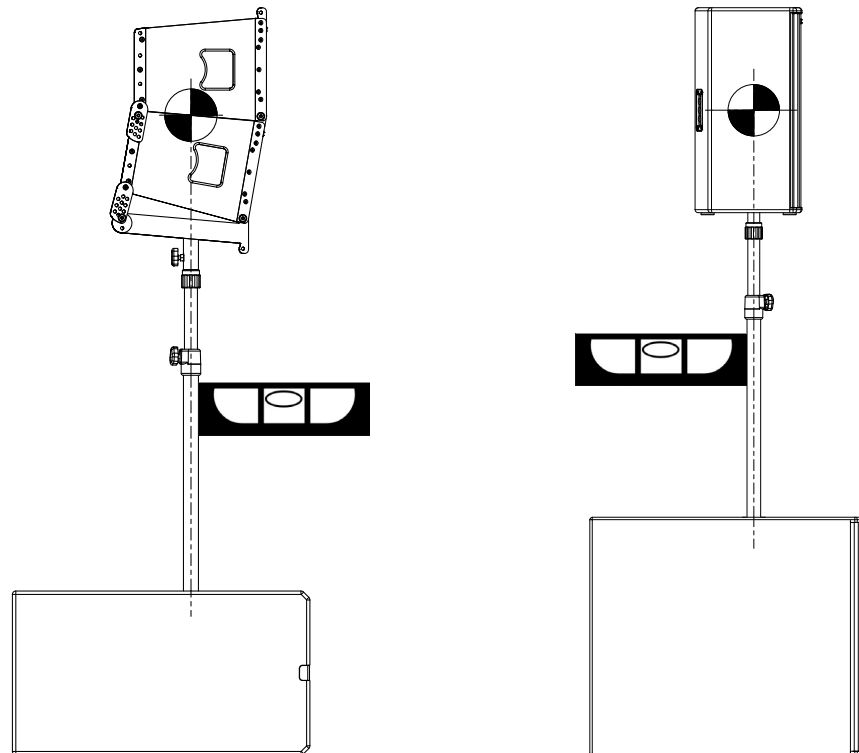


Figure 4.4.1 - system setup TC30

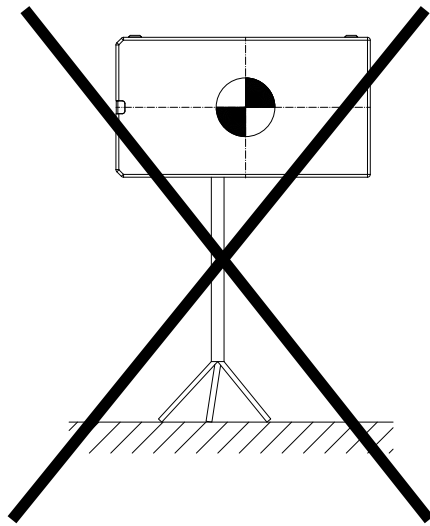


Figure 4.4.2 - TC30 – improper installation

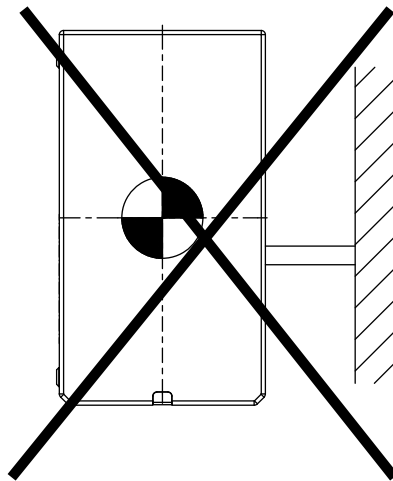


Figure 4.4.3 - TC30 – improper wall mounting

5. Transport and Storage

Due to the TC30 toolcase weighing over 20kg [44 lbs.], two persons are required to handle and transport the unit.



NOTE

To transport the unit with a single person, TWAUDIÖ recommends using the FDB30 front dolly.

When transporting and storing the unit, it is important to ensure that the surface and front grill of the loudspeaker are not damaged. Moisture can penetrate through exposed wood surfaces and cause the wood to swell.

This is why the product should be transported in a safe, careful, dry and largely dust-free manner.

The following transport and storage accessories are available from TW AUDiO:

- FDB30 (front dolly)
- Lashing strap

The original packaging is unsuitable as permanent storage and transport packaging.

6. CE Conformity Declaration

Copy and translation of the original CE Conformity Declaration:



We hereby declare that the below-referenced components by virtue of their design and construction, and in the configuration placed on the market by us, satisfy the safety and health requirements of the applicable EC directives. This declaration becomes invalid in case of modifications that have not been approved by us.

This declaration applies to the following components

- TC30

as well as all model variants based on these, provided that they correspond to the original factory models and have not been technically modified in any way.

Applicable directives:

- 2001/95/EG

Applicable national standards and technical specifications:

- DIN EN ISO 12100
- DGUV Vorschrift 17 und 18

Berlin, Germany, January 1st, 2021

A handwritten signature in black ink, appearing to read 'Wüstner', written in a cursive style.

Bernhard Wüstner

7. Disposal

If you have any question regarding the disposal of used devices, please contact us under the following telephone number:

+49 (0) 71 41 - 48 89 89 0

In countries outside of the European Union, comply with local regulations.

TWAMBO GmbH
Karl-Hofer-Str. 42
14163 Berlin
Germany

Phone: + 49 (0) 71 41-48 89 89 0
Fax: + 49 (0) 71 41-48 89 89 99
E-Mail: info@twaudio.de
WWW: www.twaudio.de