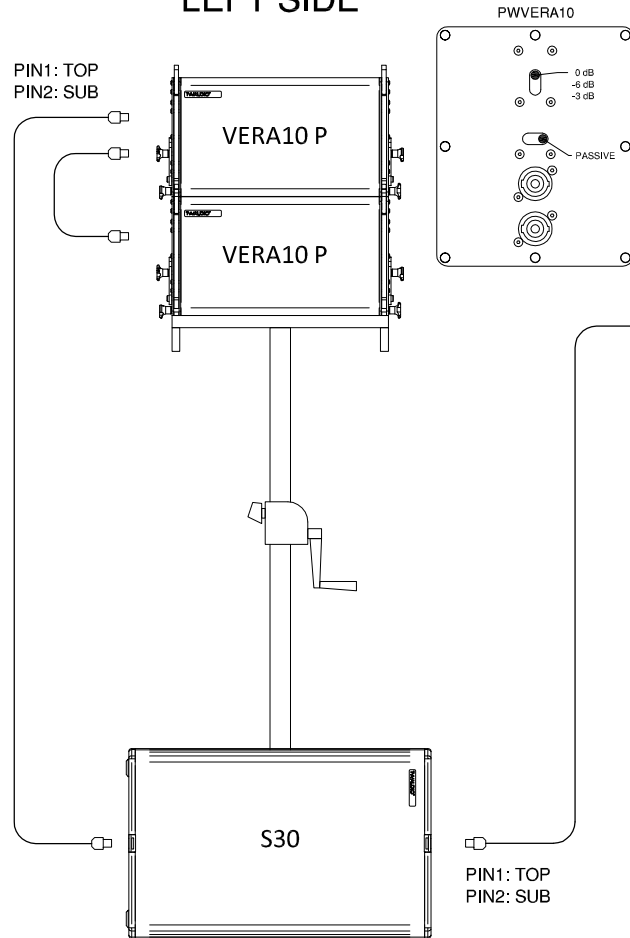


TW AUDIO®

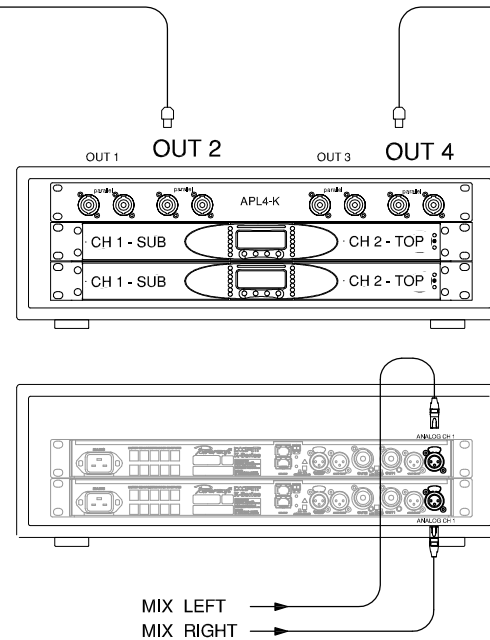
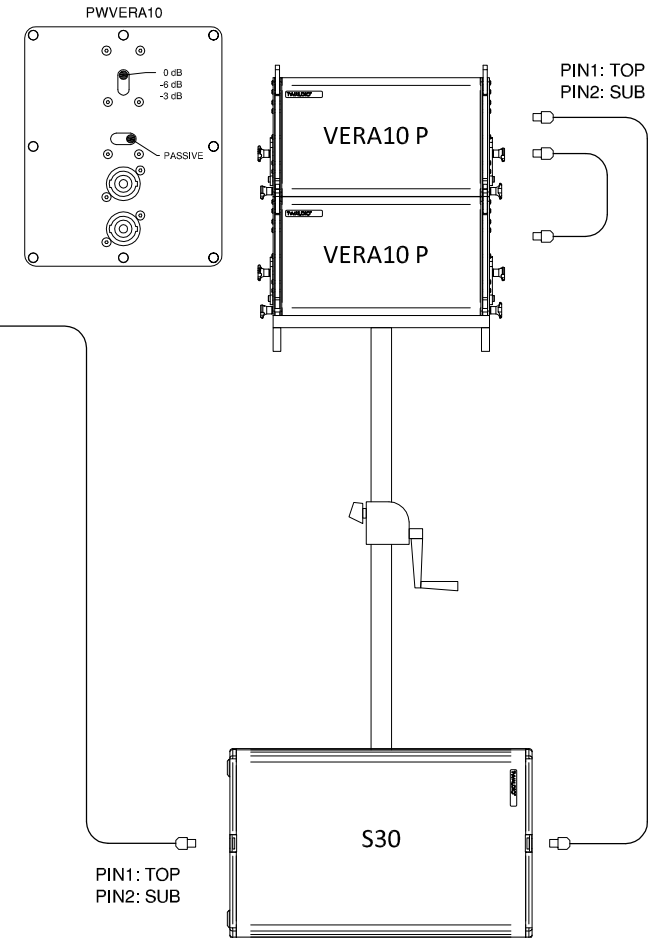
VERA-SYS-TWO

	PRESET NAME	
	CHANNEL 1	CHANNEL 2
AMP 1	BS30	V10-PASSIVE_x2_A03
AMP 2	BS30	V10-PASSIVE_x2_A03

LEFT SIDE



RIGHT SIDE



- 2 x LSK-44-005 0.5 m
- 2 x LSK-44-025 2.5 m
- 2 x LSK-44-200 20 m

Before connecting loudspeakers to the APL4 panel always make sure that connection between amplifiers and APL4 is correct.
For more details refer to *system rack3m-k3dps with apl4* document available on TW AUDIO website.