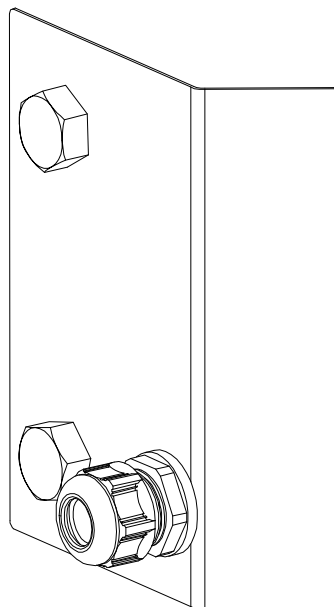


WPC5

Assembly Instructions



Introduction

Thank you for choosing a high-quality product “MADE IN GERMANY” from the brand TWAUDIÖ.

The WPC5 installation cover with cable gland is an accessory for the C5 loudspeaker.

It is characterized by a subtle look, a remarkable size to weight ratio and ease of use.

If you lend your product to another party, inform that party of the safety-related operating procedures and hand over this assembly guide. If you require additional copies of this manual, you can obtain them free of charge from TWAUDIÖ or download them from www.twaudio.de

Instructions in this user manual

Strictly adhere to the instructions contained in this operating manual that are marked as follows:



This symbol in combination with the signal word “Warning” identifies a potentially hazardous situation. Failure to comply with this safety instruction can lead to serious injury or even death.



This symbol in combination with the signal word “Caution” identifies a potentially hazardous situation. Failure to comply with this safety instruction can lead to light or moderate injury.



This symbol in combination with the signal word “Note” identifies a potentially hazardous situation. Failure to comply with this safety instruction can lead to product damage.



This symbol in combination with the signal word “Tip” identifies additional information or notes that will simplify working with TWAUDIÖ products on the basis of practical experience.

Notes on the products

**Read manual
before use!**

Before using the device, carefully read the assembly instructions and keep it with the WPC5 installation cover with cable gland.

General information

Assembly instructions: OM-WPC5
Version 2.0 en, 12/2022
© by TWAMBO 2022; all rights reserved.

All information contained in this operating manual was correct to the best of our knowledge at the time of printing.

Quality warranties or assurance of suitability for a certain type of use based on the technical specifications, dimensions and weights are not granted by TWAMBO.

TWAMBO also shall not assume liability for any secondary damage (property damage and/or personal injury) nor for the failure to comply with this operating manual!

TWAMBO reserves the right to update this document based on recent developments.

TWAMBO GmbH
Karl-Hofer-Str. 42
14163 Berlin
Germany

Phone : + 49 (0) 71 41-48 89 89 0
Fax: + 49 (0) 71 41-48 89 89 99
E-Mail: info@twaudio.de
WWW: www.twaudio.de

Content

| | |
|-------------------------------------|----|
| 1. Safety Intended use | 5 |
| 2. Overview | 7 |
| 2.1 Components | 7 |
| 3. Technical data | 8 |
| 3.1 Data sheet | 8 |
| 4. Commissioning..... | 9 |
| 4.1 Using the WPC5 cover plate..... | 9 |
| 4.2 Installation variants | 11 |
| 5. Transport and storage | 12 |
| 6. CE Conformity Declaration..... | 13 |
| 7. Disposal | 13 |

1. Safety | Intended use

Please adhere to the following safety instructions to avoid risks when using accessories.

The WPC5 installation cover was developed for use in professional sound systems. The installation cover may only be used by trained and qualified personnel.

Note the operating modes described in this assembly instructions. Other uses are not permissible.

Damage caused by improper use is not covered by TWAMBO.



Before every operation, check the scope of delivery of the WPC5 installation cover for its completeness and ensure that all parts are in perfect condition.

The scope of delivery includes specified components. Only use the recommended and certified components.



The WPC5 installation cover may only used with the C5 loudspeaker.

This rigging manual describes how to use the WPC5 installation cover correctly. Any other use shall be deemed improper and may result in damage or even injury.

Modifications or alterations to individual parts of the WPC5 installation cover are not permitted! Danger to life!



The WPC5 installation cover is designed both for indoor and outdoor use.



The WPC5 installation cover may only be used by trained and qualified personnel. Personnel must check the WPC5 installation cover for suitability before each use.



The WPC5 installation cover must be taken out of operation immediately as soon as visible damage to the parts can be seen.



Please keep all elements of the WPC5 installation cover away from children! The small parts can easily be swallowed and lead to suffocation!



All screw connections should be checked when the WPC5 installation cover is installed. If there are loose screws, tighten them. If this is no longer possible, the screws and nuts must be replaced.

2. Overview

2.1 Components

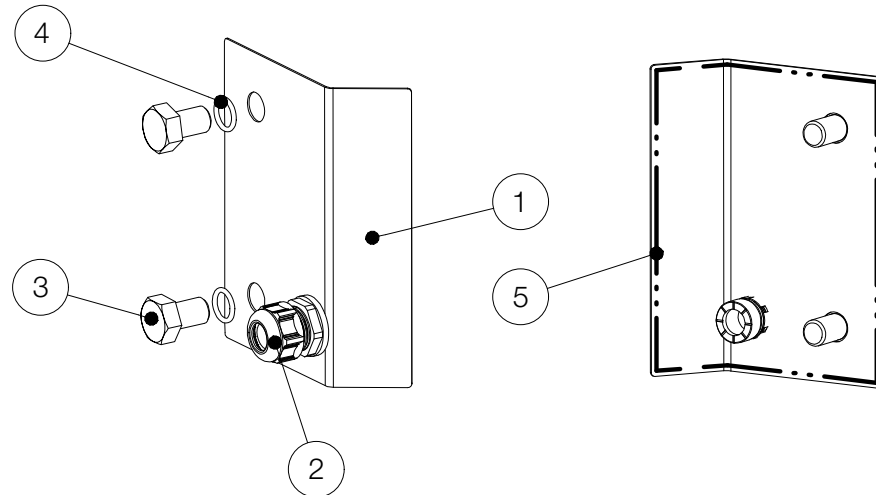


Figure 2.1 - Overview

- | | | |
|----|---|----------|
| 1. | Cover plate - powder-coated surface | 1 piece |
| 2. | Cable gland..... | 1 piece |
| 3. | Hexagon screw M10x16..... | 2 pieces |
| 4. | O-Ring 9x2,5 - NBR - 90 Shore..... | 2 pieces |
| 5. | Butyl round cord..... | 1 piece |

3. Technical data

3.1 Data sheet

| | |
|------------------------|--|
| Dimensions (h x w x d) | 119 x 87 x 26 mm [4.68 x 3.43 x 1.02 in] |
| Weight | 0,8kg [1.76lbs] |
| Protection class | IP54 ¹ |
| Surface | Powder-coated |

¹ Observe installation instructions (chapter 4.2)

4. Commissioning

4.1 Using the WPC5 cover plate



Glue the butyl round cord (see figure 4.1.1) onto the cover plate. The distance between the butyl round cord and the metal sheet's edge should be approximately 2 mm. A line is provided for orientation.

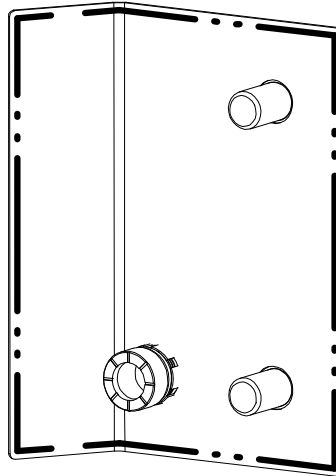


Figure 4.1.1 - Applying Pos.5 (figure 2.1)



Screw the cable gland to the cover plate as shown below.

Make sure that the O-ring attached to or enclosed with the cable gland is placed between the cable gland and the cover plate.

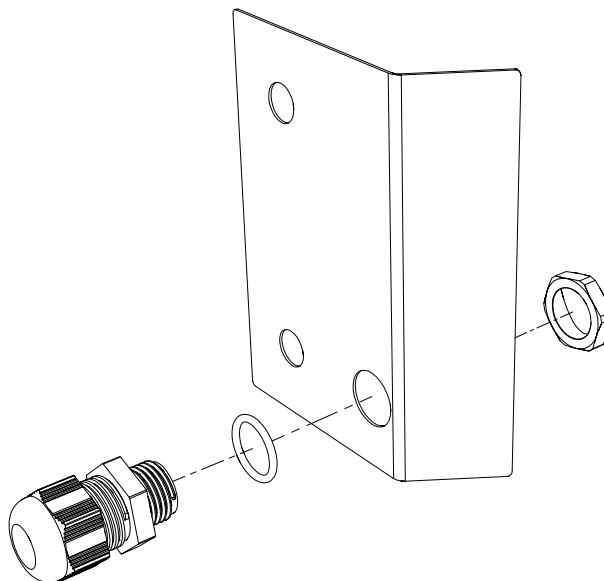


Figure 4.1.2 - Applying Pos.2 (figure 2.1)



Screw the WPC5 cover plate to the C5 loudspeaker using the two M10x16 hexagon bolts and the O-rings included with the WPC5.

Make sure to place the two supplied O-rings (item 4 in figure 2.1) between the screw heads and the cover plate.

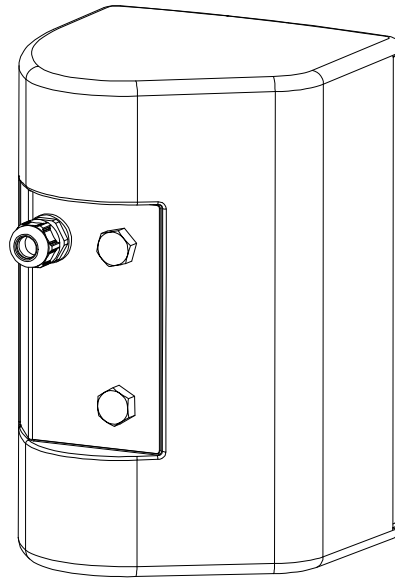


Figure 4.1.3 - Mounted WPC5 installation cover

4.2 Installation variants



To obtain class IP54 protection, mount the C5 loudspeaker with the attached WPC5 cover plate tilted downwards at least by 5°!

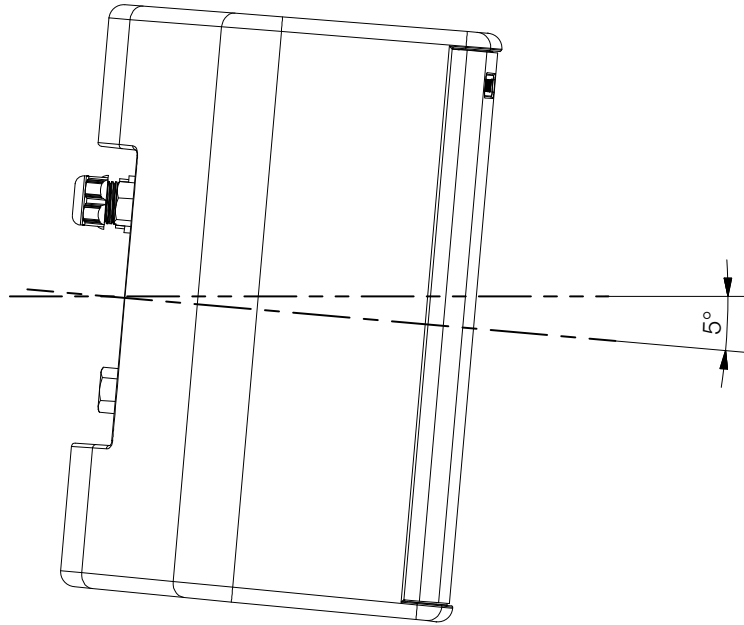


Figure 4.2.1 - Installation variant 1 upright, tilted 5° downwards

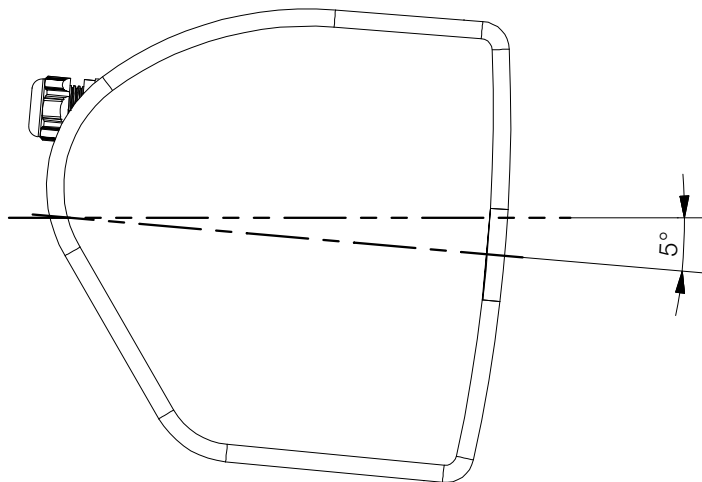


Figure 4.2.2 - Installation variant 2 horizontal, tilted 5° downwards

5. Transport and storage



Ensure that the surface of the cover plate is not damaged during transport and storage. Moisture may penetrate where steel surfaces are exposed by scratches and result in corrosion.

This is why the product should be transported in a safe, careful, dry and largely dust-free manner.

The original packaging is unsuitable as permanent storage and transport packaging.

6. CE Conformity Declaration

Copy and translation of the original CE Conformity Declaration:



We hereby declare that the below-referenced components by virtue of their design and construction, and in the configuration placed on the market by us, satisfy the safety and health requirements of the applicable EC directives. This declaration becomes invalid in case of modifications that have not been approved by us.

Diese Erklärung betrifft folgende Komponenten

- WPC5

as well as all model variants based on these, provided that they correspond to the original factory models and have not been technically modified in any way.

Applicable directives:

- 2001/95/EG

Applicable national standards and technical specifications:

- DIN EN 18800
- DIN EN ISO 12100
- DGUV Vorschrift 17 und 18

Berlin, Germany, January 1st, 2021


Bernhard Wüstner

7. Disposal

If you have any question regarding the disposal of used devices, please contact us under the following telephone number:

+49 (0) 71 41 - 48 89 89 0

In countries outside of the European Union, comply with local regulations.

TWAMBO GmbH
Karl-Hofer-Str. 42
14163 Berlin
Germany

Phone: + 49 (0) 71 41-48 89 89 0
Fax: + 49 (0) 71 41-48 89 89 99
E-Mail: info@twaudio.de
WWW: www.twaudio.de