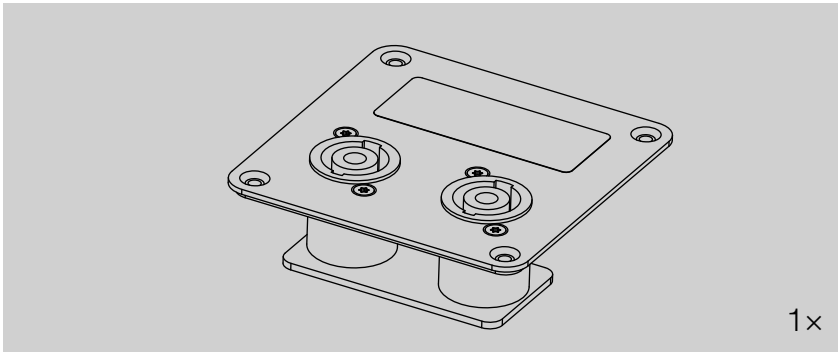


i-series | speakON® wiring plan

item no.	#4708	#4704	#4255	#4706
	SO top	SO sub	SO bi-amp	SO thru
T20i	x			
T30i			x	
B10i		x		
B14i		x		
B17i		x		
B30i		x		
VERA20i	x			
VERA S17i				x
VERA S32i			x	
M8i	x			
M12i	x			

1.0 Parts included



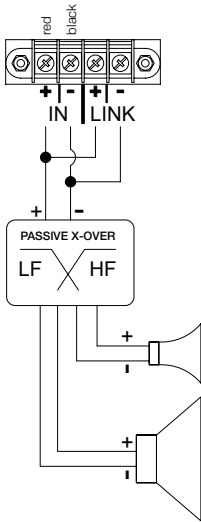
item #4326



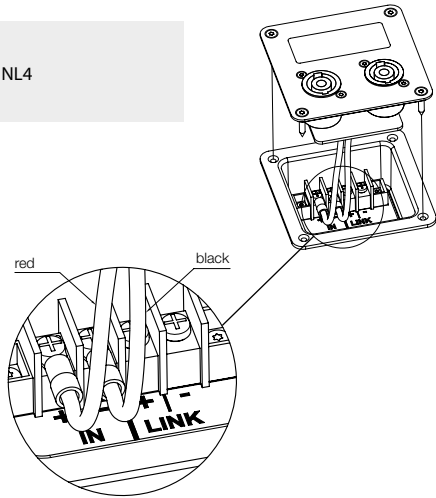
T20

4x

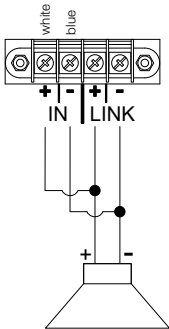
1.1 SO top #4708



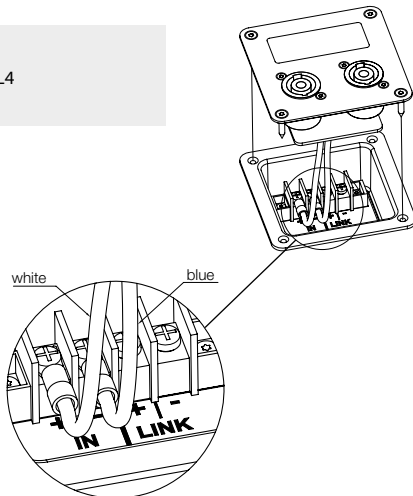
Connector:
2x speakON NL4
1± IN



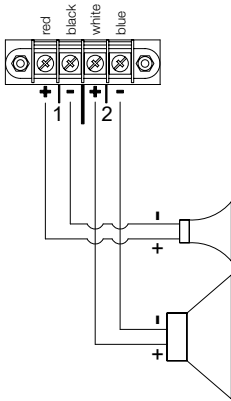
1.2 SO sub #4704



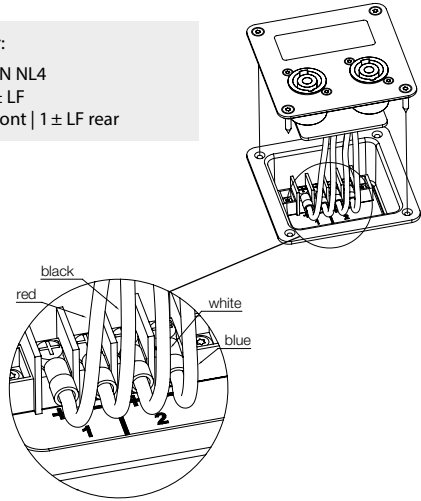
Connector:
2x speakON NL4
2± IN



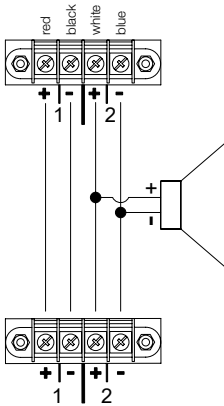
1.3 SO bi-amp #4255



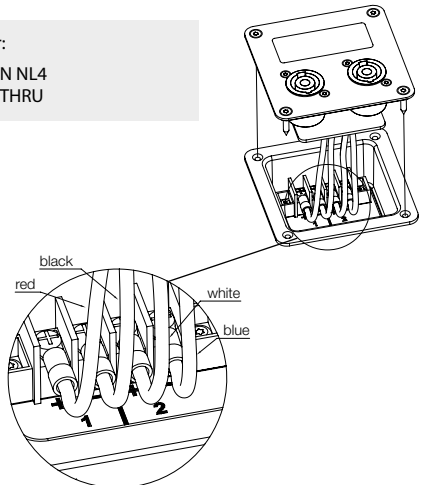
Connector:
 2x speakON NL4
 1 ± HF | 2 ± LF
 or 2 ± LF front | 1 ± LF rear



1.4 SO thru #4706



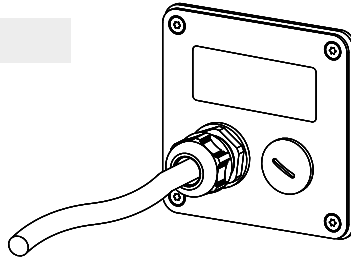
Connector:
 2x speakON NL4
 2 ± IN | 1 ± THRU



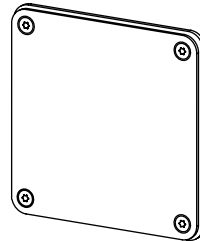
1.5 Related products



cable gland #4324



blind plate #4344



1.6 Manufacturer

TWAUDIO GmbH
Osterholzallee 140-1
71636 Ludwigsburg
Germany

P: +49 7141 488989-0
F: +49 7141 488989-99
E: info@twaudio.com
W: www.twaudio.com

TWAUDIO® SOWP - 2020 - 1.4

Copyright © 2020 TWAUDIO GmbH; all rights reserved.

We recommend you to regularly check the TWAUDIO website for the latest version of this manual.