



The B17i is a compact installation subwoofer in a symmetrically vented enclosure, equipped with one 18" long excursion driver.

The fully symmetrical enclosure design enables identical performance all set-up variations. Also directional sub arrays with partly reversed subwoofers are unrestrictedly possible in all combinations. Whether upright or crosswise, stacked on top of each other or side- by-side.

The B17i comes with i-series standard screw terminal connections at the rear with optional speakON® and cable gland available. Four recessed M10 threads allow multiple mounting options via brackets or steel wires.

## Key Features

- » Installation subwoofer in a compact, symmetrically bass reflex enclosure
- » 18" long excursion chassis with 4" voice coil and 2400W program power capacity
- » 4× M10 screw threads for mounting of swivel bracket and eyebolt
- » Equipped with i-series screw terminal; speakON® and cable gland optional
- » Coherent phase response with all TWAUDIÖ loudspeakers
- » Operation with dedicated TWAUDIÖ presets on Lab.gruppen, Powersoft or Dynacord TGX and IPX amplifiers

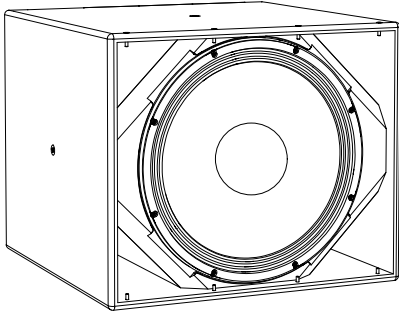
## Applications

- » Galas, events and shows
- » Churches, houses of worship, religious places
- » Theatres and cultural places
- » Bars and restaurants
- » Arenas and sports venues
- » Concerts

# B17i

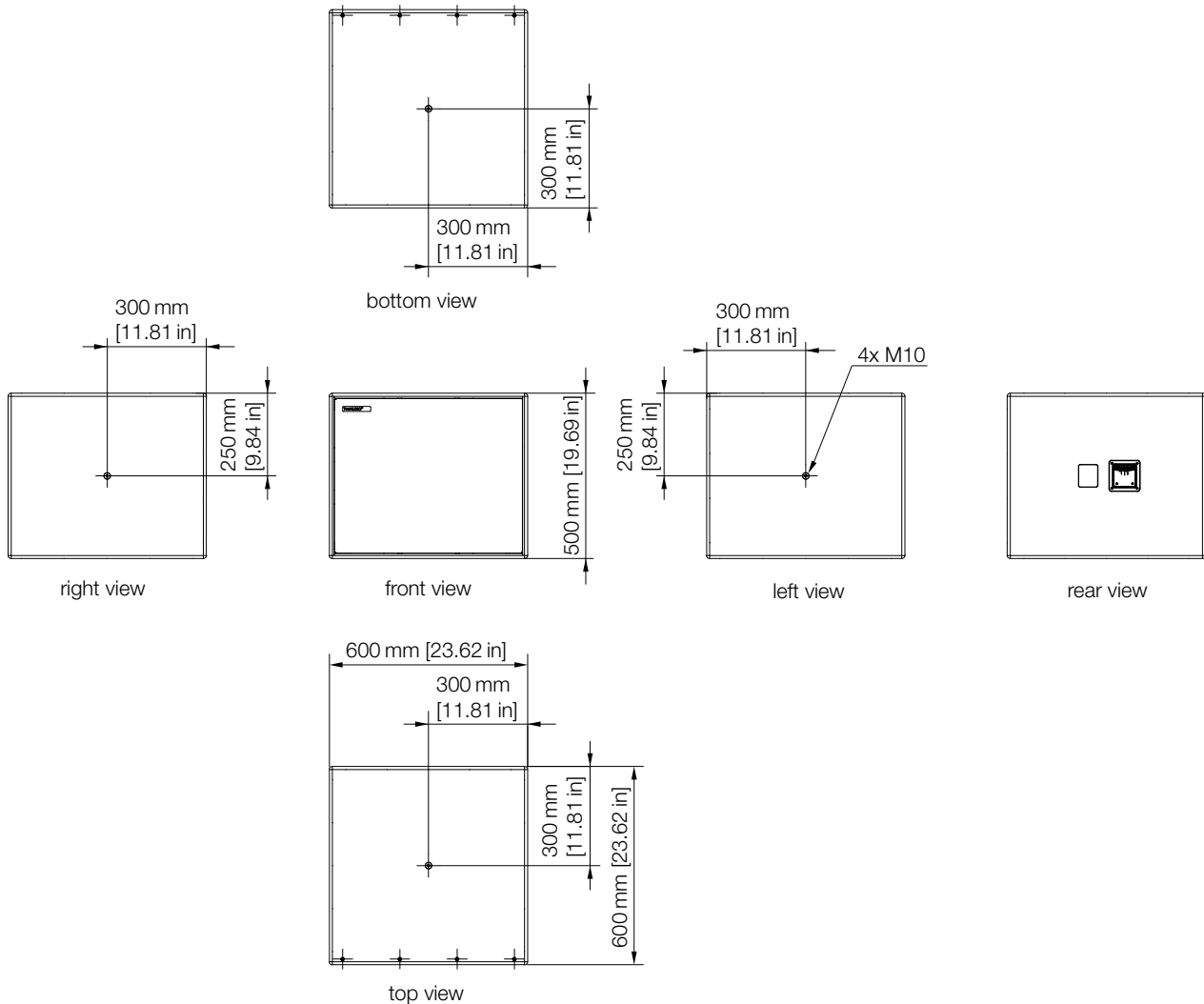
## DATASHEET

### Technical Data



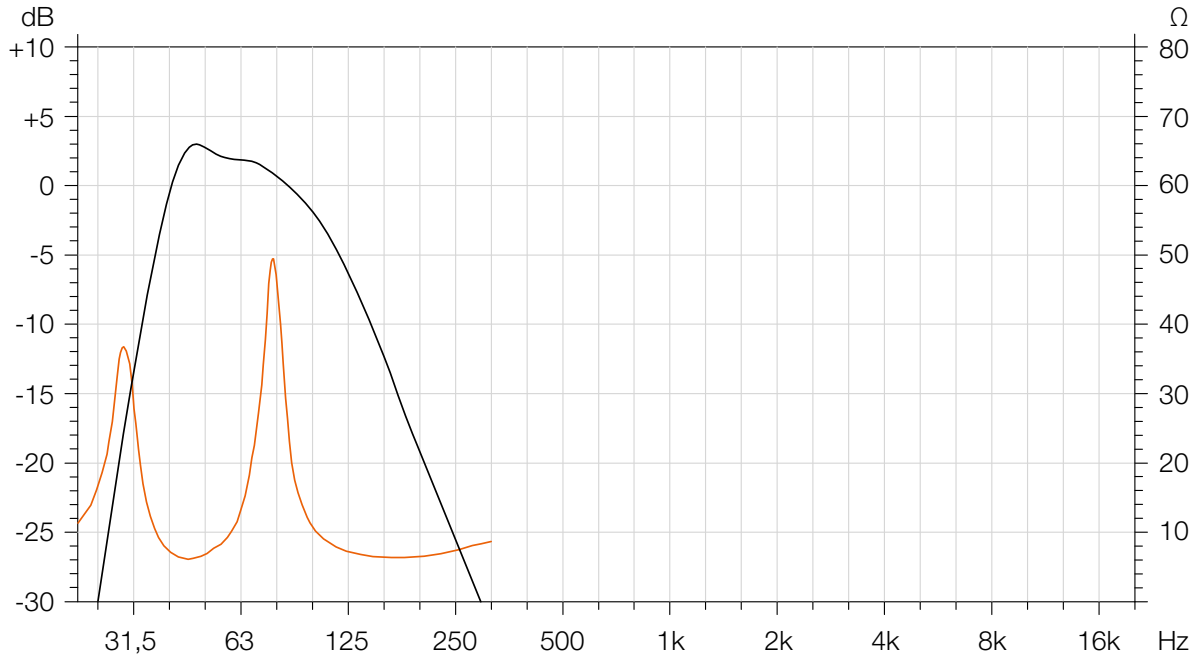
Drivers	1× 18" LF
Frequency range	37 - 110Hz
Power capacity program/peak	2400/4800W
Impedance	8Ω
Sensitivity 1W/1 m	96 dB
SPLmax / 1 m	132 dB
Connection	screw terminal IN±   LINK±
Dimensions (H × W × D)	500×600×600 mm   19.69×23.62×23.62 in
Weight	34 kg   74.96 lbs
Finish	Warnex textured paint (RAL colors optional)
Accessories	see twaudio.com

### Technical Drawing



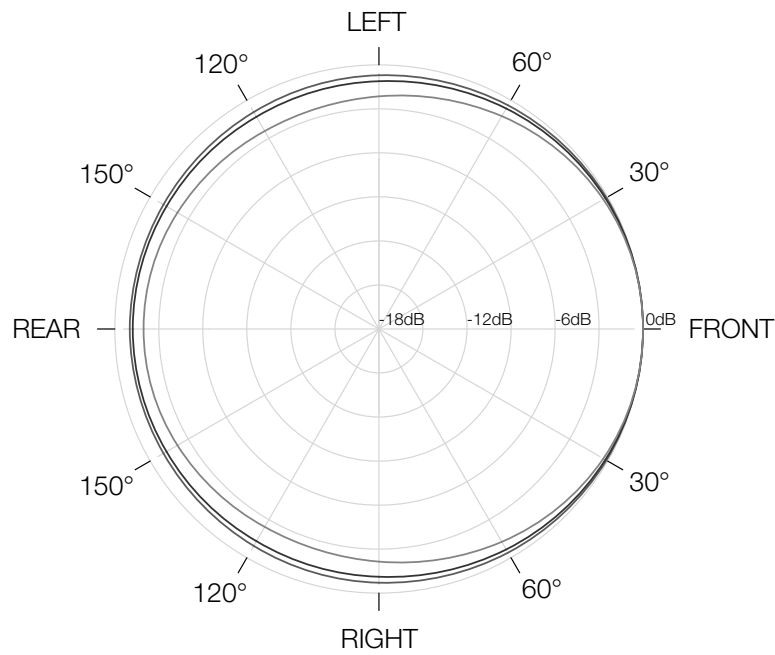
## Frequency Response

Frequency response with preset | IMPEDANCE



## Polar Pattern

40Hz | 63Hz | 100Hz



## Architect Specifications

The loudspeaker shall consist of a compact symmetrically bass reflex enclosure driven and protected by a dedicated powered amplified controller. The loudspeaker shall be a single-channel omnidirectional subwoofer. The enclosure shall feature four M10 threads for mounting swivel bracket or eyebolt. The enclosure shall be equipped with i-series screw terminal as standard; speakON® sockets and cable gland optional.

The enclosure shall feature one 18" long excursion neodymium LF transducer with 4" voice coil.

The usable system bandwidth shall be 37 Hz to 110 Hz.

Maximum peak SPL shall be 132 dB. The long-term handling capacity shall be 2400 W program and 4800 W peak. The nominal impedance of the loudspeaker shall be 8 Ω.

The enclosure cabinet construction shall consist of first grade birch plywood. The front of the enclosure shall be protected by a perforated, powder-coated steel with flame retardant and hydrophobic, black fabric to the rear. The dimensions shall be 600 mm (23.62 in) in width, 500 mm (19.69 in) in height and 600 mm (23.62 in) in depth and the enclosure weight shall be 34.0 kg (75 lbs).

The enclosure shall feature four M10 threads for mounting accessories. The enclosure shall be connected via screw terminals as standard.

The loudspeaker shall be the TWAUDIO B17i.

### References

The response curves of the system are available upon request – support@twaudio.com

Manufacturer:  
TWAMBO GmbH  
Karl-Hofer-Str. 42  
14163 Berlin, Germany



TWAUDIO®

TWAMBO GmbH  
Karl-Hofer-Str. 42  
14163 Berlin  
Germany

Phone: +49 7141 488989-0  
Fax: +49 7141 488989-99  
Mail: info@twaudio.com