

ELLAL18 is a low-mid extension unit for the ELLA6 ELEGANT Line Array system. Especially in ELLA6 arrays of only two to six elements ELLAL18 significantly enhances the low-mid performance in terms of SPL and directivity control in the frequency range from 90 to 1000Hz.

The ELLAL18 enclosure has the size of three coupled ELLA6 modules and is equipped with three of the same 6.5" low-mid drivers used in ELLA6. Due to the special acoustical resistors in the back of the enclosure, ELLAL18 creates the same cardioid dispersion pattern like ELLA6 with greatly reduced low-mid emissions at the back of the system. As ELLAL18 uses the same fully integrated ELLA6 rigging system, it can be simply stacked or flown below and above ELLA6 elements without additional parts.

Due to its internal passive lowpass filter, the ELLAL18 frequency response smoothly rolls off above 1000Hz and exactly matches to ELLA6 phase and frequency response in its working range. Therefore ELLAL18 and ELLA6 can be connected to the same amplifier channel and generally use the same ELLA6 preset. The low-mid built-up generated by the coupling effect within the array will be simply compensated by dedicated low shelf EQ.

Thanks to ELLA6' high-impedance concept, there can be coupled and driven up to three ELLAL18 or the combination of one ELLAL18 plus up to seven ELLA6 in parallel on one amplifier channel (2 ohms operation).

Key Features

- » Passive cardioid dispersion pattern over the whole frequency range
- » Enclosure size identical to three vertically coupled ELLA6 elements
- » Three 6.5" speakers with phase plug for enhanced performance from 90 to 1000Hz
- » Operate three ELLAL18 or the combination of one ELLAL18 and up to seven ELLA6 in parallel on one amplifier channel.
- » Fully compatible with ELLA6 rigging and accessories.
- » Coherent phase response with ELLA6 and all TWAUDIÖ subwoofers
- » Operation with dedicated TWAUDIÖ presets on Lab.gruppen, Powersoft or Dynacord TGX and IPX amplifiers

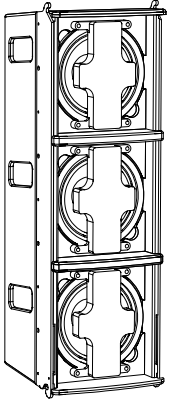
Applications

- » Galas, events and shows
- » Churches, houses of worship, religious places
- » Theatres and cultural places
- » Bars and restaurants
- » Arenas and sports venues
- » Concerts and touring

ELLAL18

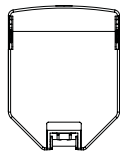
DATASHEET

Technical Data

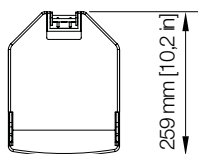
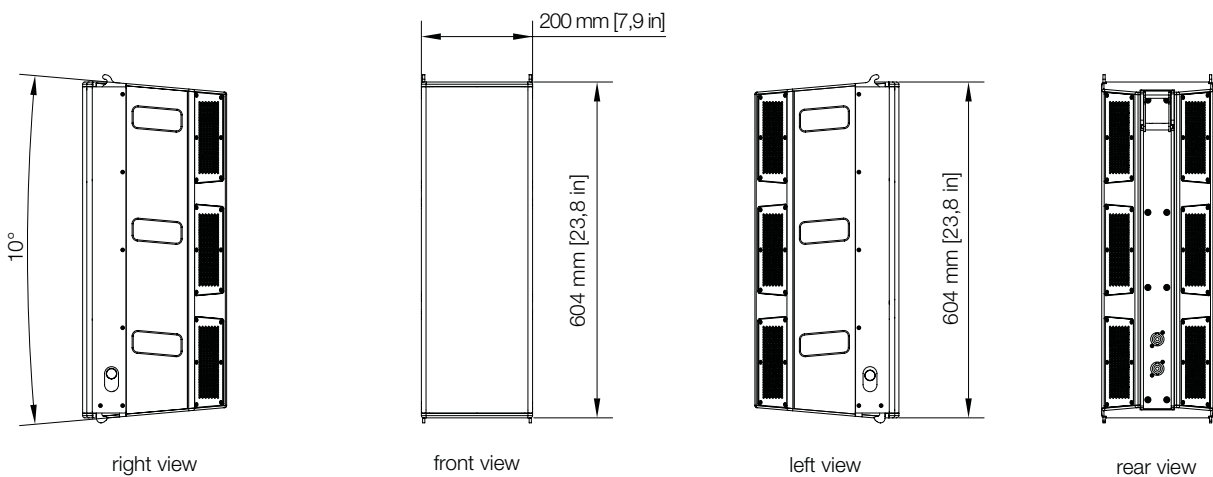


Drivers	3 × 6.5" LF
Frequency range	90 - 1000Hz
Power capacity program/peak	1200/2400W
Impedance	8 Ω
Sensitivity 1W/1 m	95 dB
SPLmax / 1 m	129 dB
Connection	speakON™ NL4 1±
Dimensions (H × W × D)	604 × 200 × 260 mm 23.8 × 7.9 × 10.2 in
Weight	14.2 kg 31.3 lbs
Finish	Warnex texture paint (RAL colors optional)
Accessories	see twaudio.com

Technical Drawing



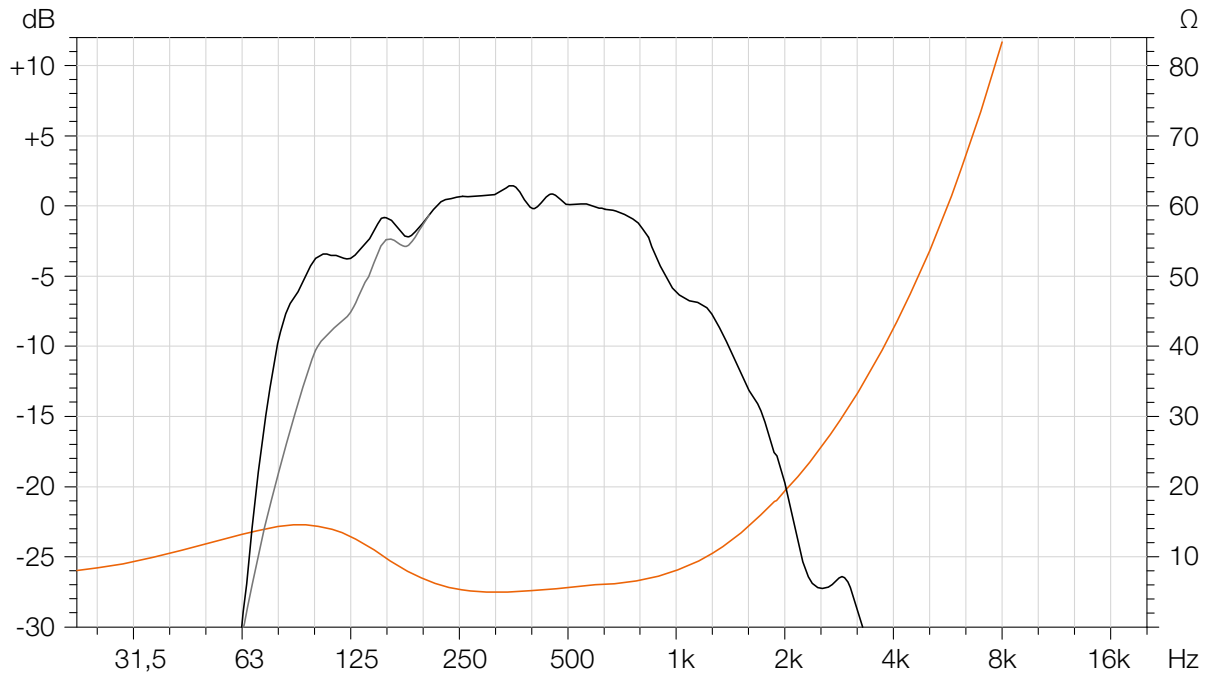
bottom view



top view

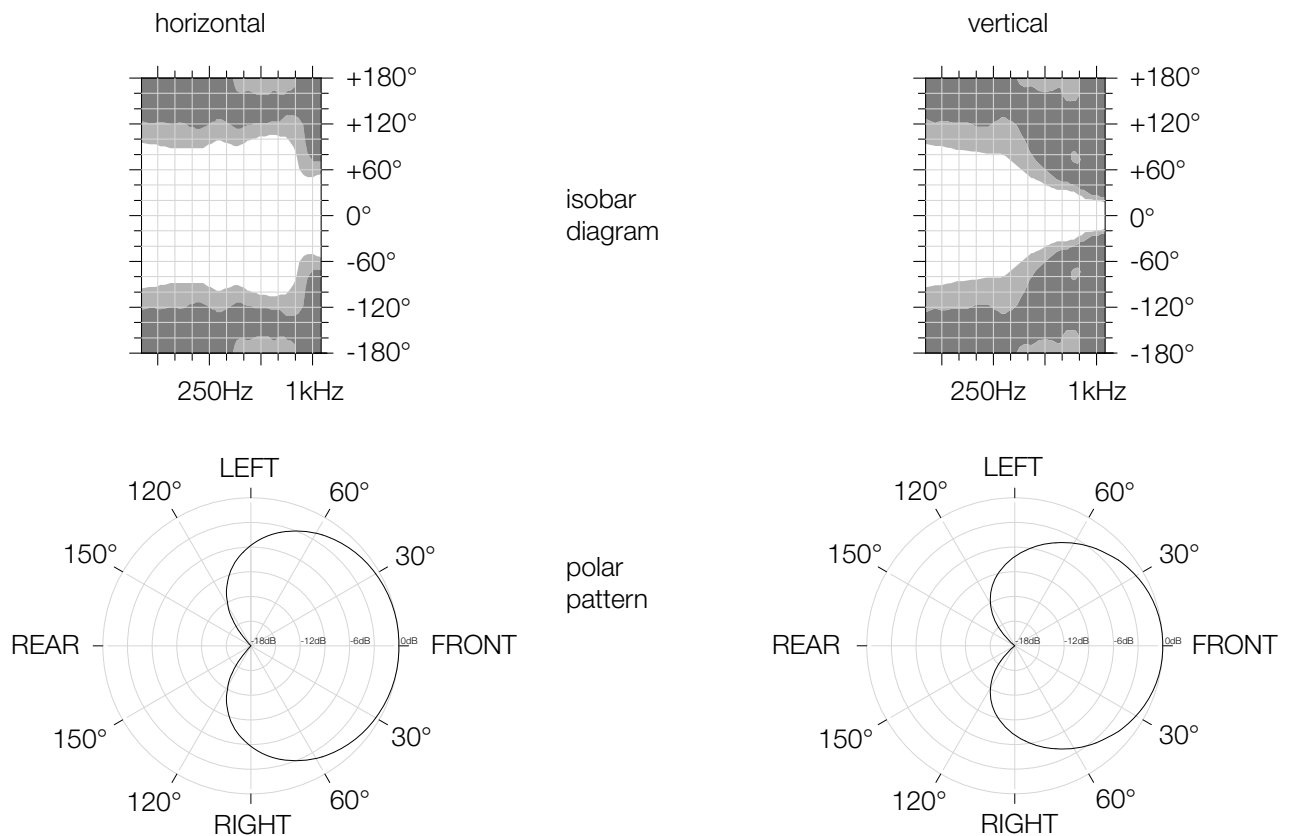
Frequency Response

FULL | CUT | IMPEDANZ



Radiation Pattern

-6dB | -12dB



Architect Specifications

The loudspeaker shall consist of a vented enclosure utilizing specialized passive cardioid directivity by acoustic resistance incorporated in the enclosure and driven and protected by a dedicated powered amplified controller.

The enclosure shall feature three 6.5" neodymium LF transducers.

The usable system bandwidth shall be 90Hz to 1000Hz. In line source mode, the system shall be curved up to a maximum of 10° for each element without breaking the wavefront.

Maximum peak SPL shall be 129dB. The long-term handling capacity shall be 1200W program and 2400W peak. The nominal impedance of the loudspeaker shall be 8Ω.

The enclosure cabinet construction shall consist of first grade birch plywood. The front of the enclosure shall be protected by a perforated, powder-coated steel with flame retardant, black fabric to the rear. The dimensions shall be 200mm (7.87 in) in width, 604mm (23.78 in) in height and 260mm (10.24 in) in depth and the enclosure weight shall be 14.2 kg (31 lbs).

The enclosure shall include carefully concealed internal hardware for rigging and shall be used in conjunction with dedicated rigging accessories. The enclosure shall be connected via two parallel 4-pole speakON® sockets.

The loudspeaker shall be the TWAUDIO ELLAL18.

References

The response curves of the system are available upon request – support@twaudio.com

Manufacturer:
TWAMBO GmbH
Karl-Hofer-Str. 42
14163 Berlin, Germany



TWAUDIO®

TWAMBO GmbH
Karl-Hofer-Str. 42
14163 Berlin
Germany

Phone: +49 7141 488989-0
Fax: +49 7141 488989-99
Mail: info@twaudio.com