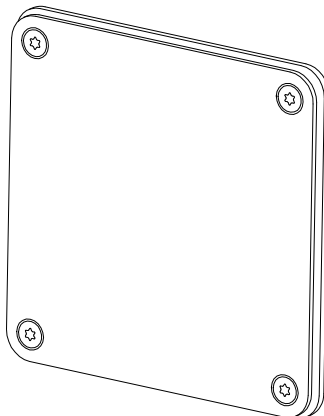
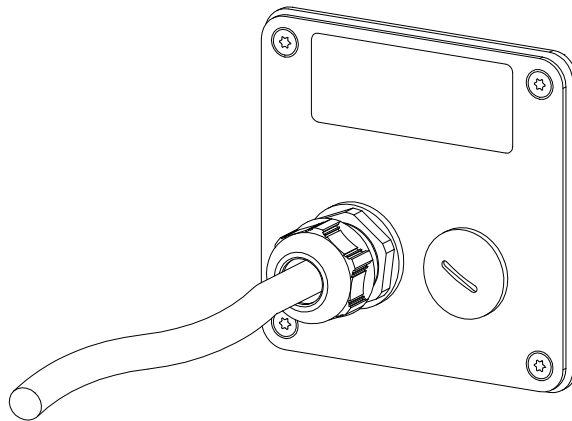
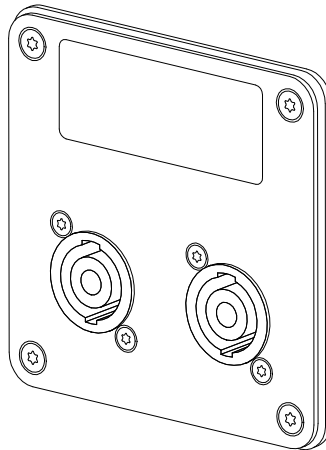


i-series

Connection options



Introduction

Thank you for choosing a high-quality product “MADE IN GERMANY” from the brand TWAUDIO.

The i-Series speakON® connection options, i-Series CG option and the i-Series cover option are accessories for the installation loudspeakers.

It is characterized by a subtle look, a remarkable size to weight ratio and ease of use.

Notes on the products

**Read manual
before use!**

Before using the respective installation loudspeaker, read the operating instructions carefully and keep them safe together with the loudspeakers.

General Information

Assembly instructions: OM-i-series-speakON®-connection options
Version 1.5 en, 03/2024
© by TWAMBO 2024; all rights reserved.

All information contained in this operating manual was correct to the best of our knowledge at the time of printing.

Quality warranties or assurance of suitability for a certain type of use based on the technical specifications, dimensions and weights are not granted by TWAMBO.

TWAMBO also shall not assume liability for any secondary damage (property damage and/or personal injury) nor for the failure to comply with this operating manual!

TWAMBO reserves the right to update this document based on recent developments.

TWAMBO GmbH
Karl-Hofer-Str. 42
14163 Berlin
Germany

Phone : + 49 (0) 71 41-48 89 89 0
Fax: + 49 (0) 71 41-48 89 89 99
E-Mail: info@twaudio.de
WWW: www.twaudio.de

Content

1. Safety Intended use.....	3
2. i-series speakON® connection options.....	4
2.1 Components	4
2.2 Table	5
2.3 SO bi-amp #4255.....	6
2.4 SO sub #4704.....	7
2.5 SO thru #4706.....	8
2.6 SO top #4708	9
3. i-series CG option.....	10
3.1 Components	10
3.2 Variant 1	11
3.3 Variant 2	12
4. i-series cover option	13
4.1 Components	13
5. CE Conformity Declaration.....	14
6. Disposal	15

1. Safety | Intended use

Please adhere to the following safety instructions to avoid risks when operating loudspeakers.

The i-series speakON® connection options, i-series CG option and the i-series cover option were developed for use in professional sound systems. The i-series speakON® connection options, i-series CG option and the i-series cover option may only be used by trained and qualified personnel.

Note the operating modes described in this operating manual. Other uses are not permissible.

Damage caused by improper use is not covered by TWAMBO.

2. i-series speakON® connection options

Please note that you receive the speakON® option (item 1 - Figure 2.1) fully assembled.

Connect the individual cables of the different speakON® options according to the loudspeakers you are using according to chapters 2.3 to 2.6. Please note the table under chapter 2.2.

2.1 Components

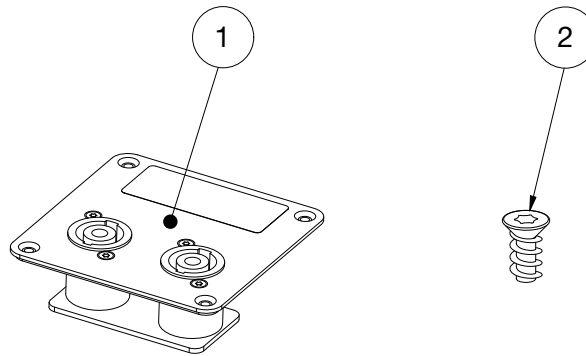


Figure 2.1 - Components

1. SpeakON® option i-series 1 piece
2. Countersunk screw f. plastic - KN 6041 - 4x10 - T20 - 10.9 - black 4 pieces

2.2 Table

Item number:	#4255	#4704	#4706	#4708
	SO bi-amp	SO sub	SO thru	SO top
B10i		x		
B14i		x		
B17i		x		
B30i		x		
M8i				x
M10i				x
M12i				x
T20i				x
T30i	x			
VERA10i	x			
VERA S18i		x		
VERA20i				x
VERA S17i			x	
VERA S32i	x			

2.3 SO bi-amp #4255

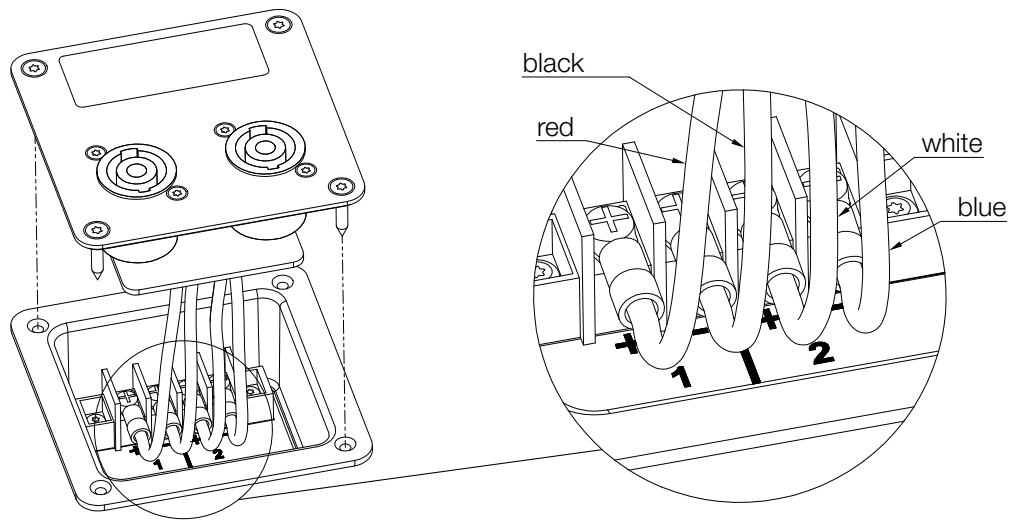


Figure 2.3.1 - SO bi-amp - exploded view

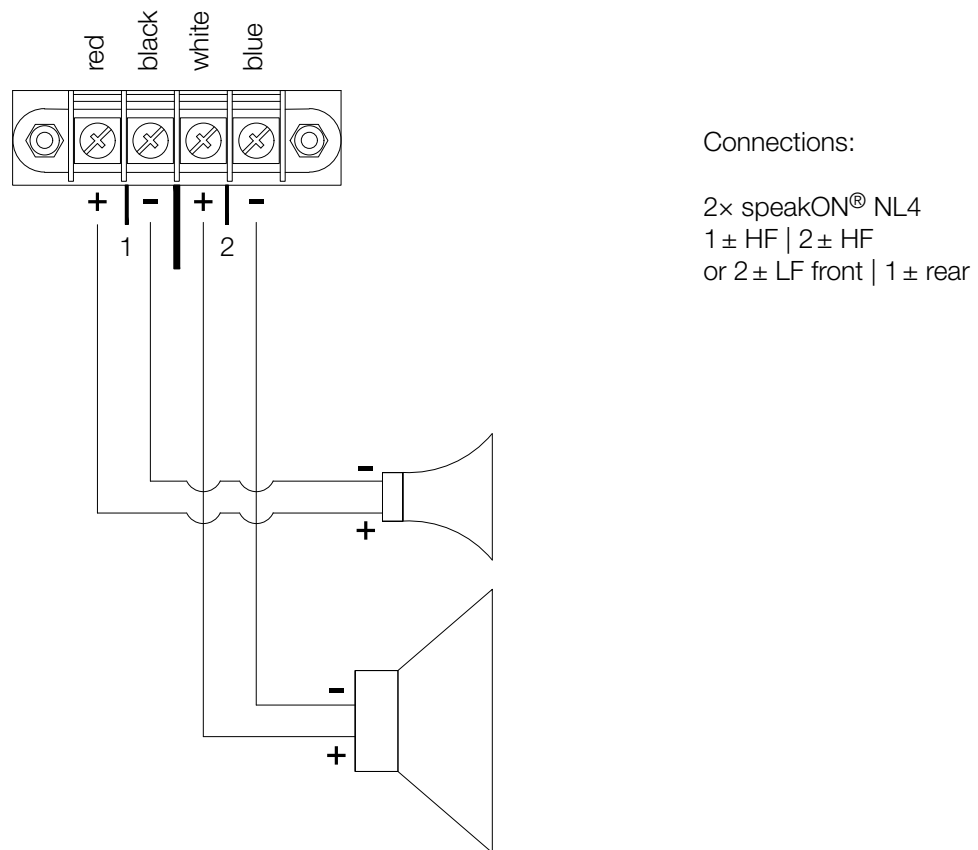


Figure 2.3.2 - SO bi-amp - connection diagram

2.4 SO sub #4704

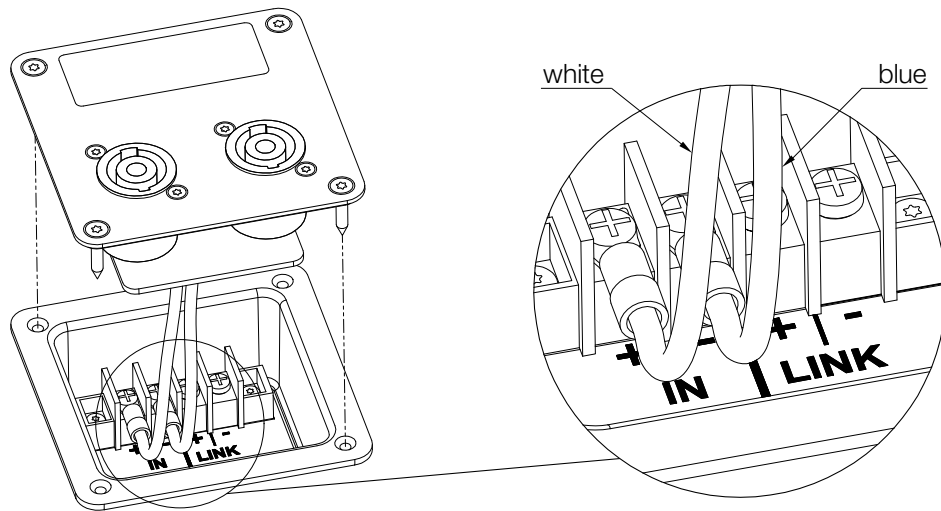
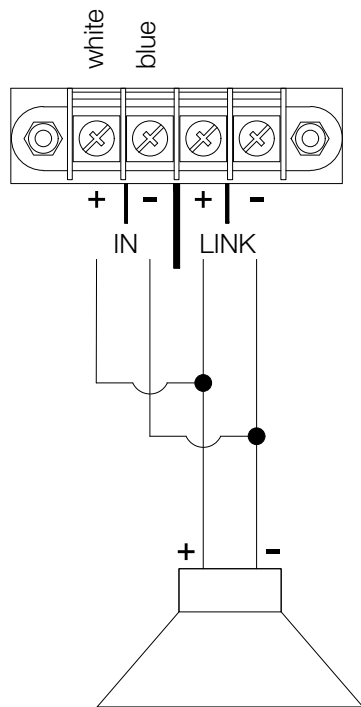


Figure 2.4.1 - SO sub - exploded view



Connections:

2× speakON® NL4
2± IN

Figure 2.4.2 - SO sub - connection diagram

2.5 SO thru #4706

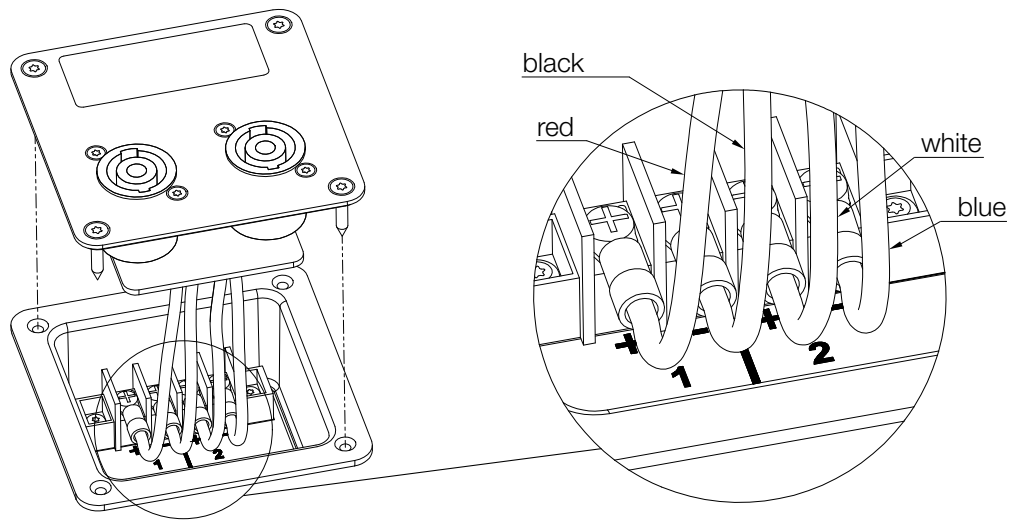
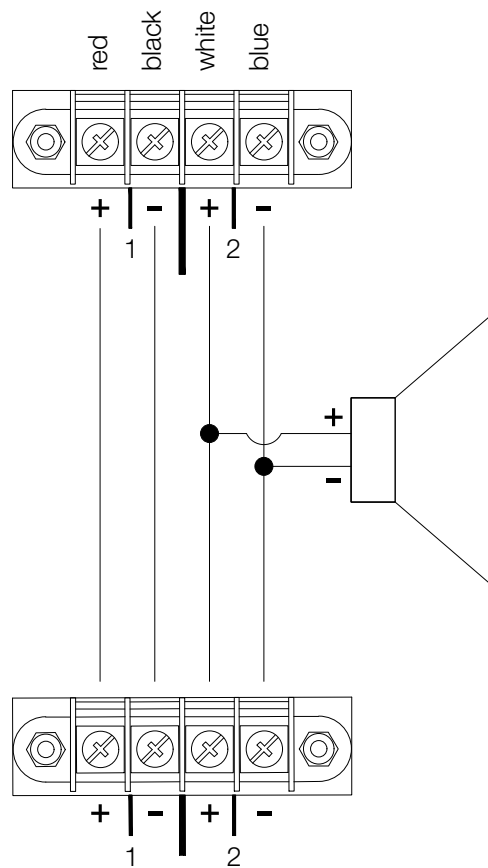


Figure 2.5.1 - SO thru - exploded view



Connections:

2× speakON® NL4
2± IN | 1± THRU

Figure 2.5.2 - SO thru - connection diagram

2.6 SO top #4708

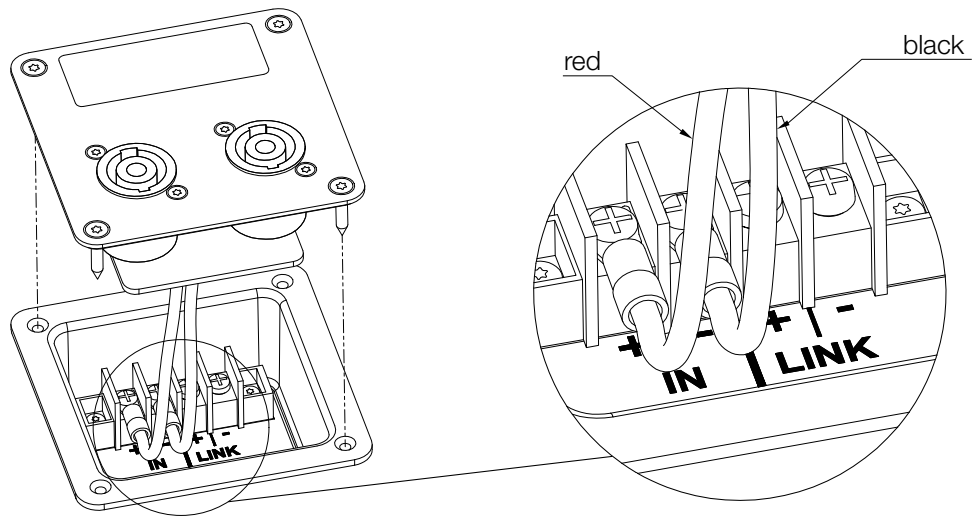
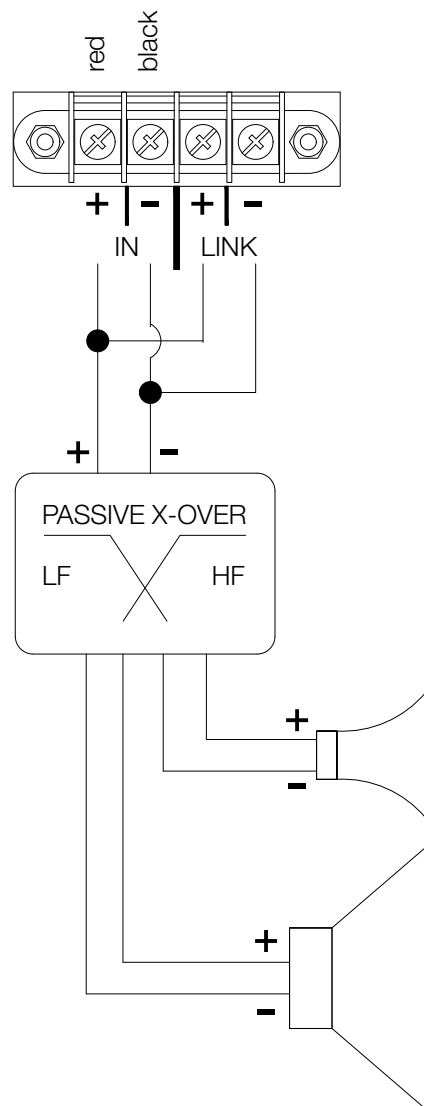


Figure 2.6.1 - SO top - exploded view



Connections:

2x speakON® NL4
1 ± IN

Figure 2.6.2 - SO top - connection diagram

3. i-series CG option

Please note that you can use the cable gland (item 3 - Figure 3.1) in combination with cables from a diameter of $\varnothing 6.0$ mm up to a diameter of $\varnothing 12.0$ mm.

3.1 Components

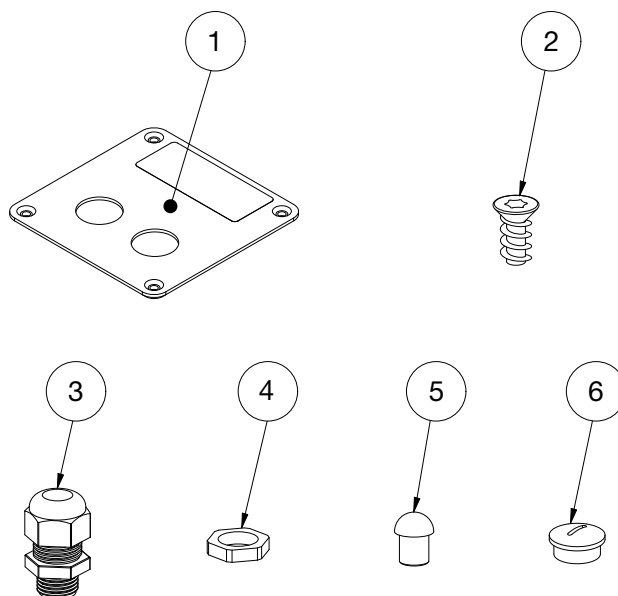


Figure 3.1 - Components

1.	PG option i-series.....	1 piece
2.	Countersunk screw f. plastic - KN 6041 - 4x10 - T20 - 10.9 - black	4 pieces
3.	Cable gland HSK black.....	2 pieces
4.	Lock nut KMK - PA.....	2 pieces
5.	Sealing plug Helutop black	1 piece
6.	Closure screw VSK - PA	1 piece

3.2 Variant 1

Please note that the two pictures below are examples.
Mount the cable gland and lock nut (items 3 and 4 - Figure 3.1) on the left or right, depending on use.

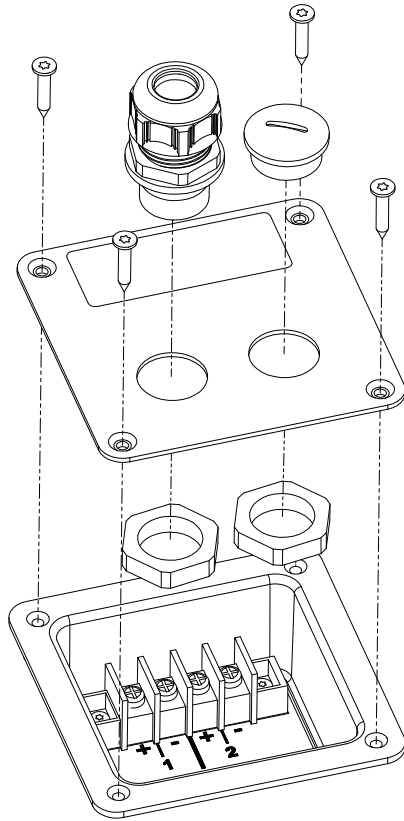


Figure 3.2.1 - Exploded view

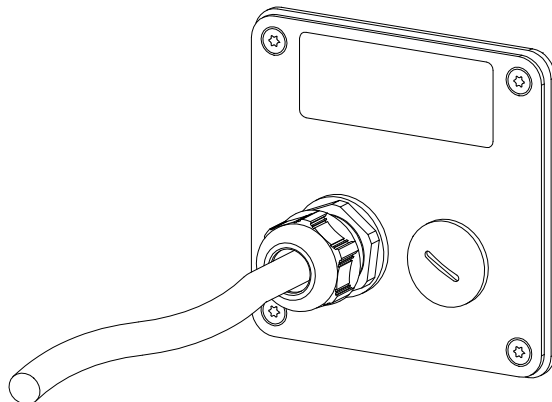


Figure 3.2.2 - Assembled

3.3 Variant 2

Please note that the two pictures below are examples.
Mount the sealing plug (item 5 - Figure 3.1) on the left or right depending on use.

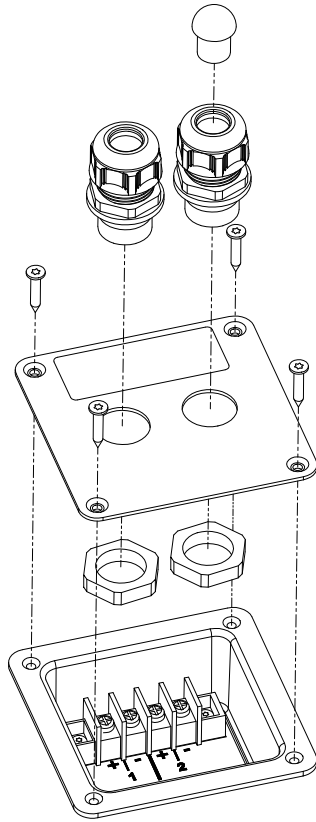


Figure 3.3.1 - Exploded view

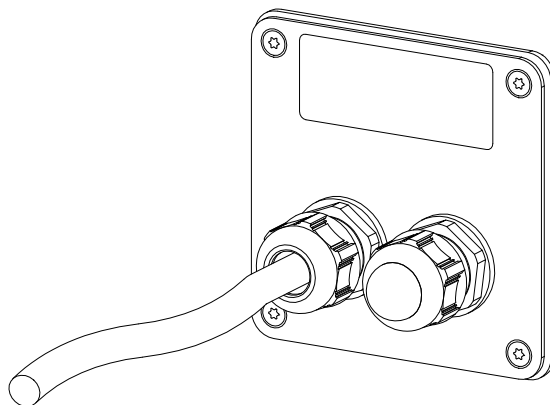


Figure 3.3.2 - Assembled

4. i-series cover option

Please note that the cover option (item 1 - figure 4.1) can be used to close the lower screw connection of the VERAS17i loudspeaker.

Mount the cover option on the bottom loudspeaker in the array.

4.1 Components

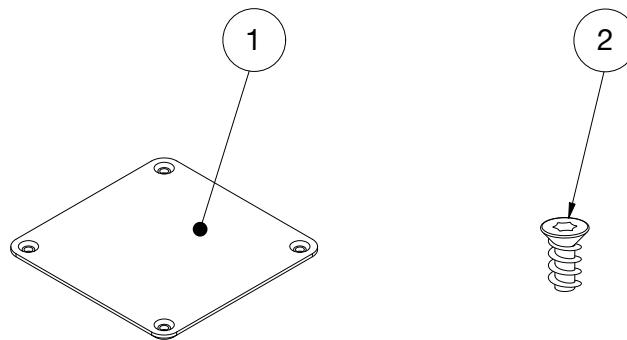


Figure 4.1 - Components

- | | | |
|----|--|----------|
| 1. | Cover option for i-series..... | 1 piece |
| 2. | Countersunk screw f. plastic - KN 6041 - 4x10 - T20 - 10.9 - black | 4 pieces |

5. CE Conformity Declaration

Copy and translation of the original CE Conformity Declaration:



We hereby declare that the below-referenced components by virtue of their design and construction, and in the configuration placed on the market by us, satisfy the safety and health requirements of the applicable EC directives. This declaration becomes invalid in case of modifications that have not been approved by us.

This declaration applies to the following components

- i-series SO bi-amp option
- i-series SO sub option
- i-series SO thru option
- i-series SO top option
- i-series CG option
- i-series cover option

as well as all model variants based on these, provided that they correspond to the original factory models and have not been technically modified in any way.

Applicable directives:

- 2001/95/EG
- 2011/65/EU

Applicable national standards and technical specifications:

- DIN EN 18800
- DIN EN ISO 12100
- DGUV Vorschrift 17 und 18
- EN 50581: 2013-02

Berlin, Germany, January 1st, 2021

A handwritten signature in black ink, appearing to read 'Wüstner'.

Bernhard Wüstner

6. Disposal

It is prohibited to dispose of used electrical equipment with household refuse.



All TWAMBO GmbH products are so-called B2B-products. This means that they are sold by a commercial business to a commercial business. TWAMBO products that bear the trash can symbol shown here may only be disposed of by TWAMBO.

The loudspeaker owner is legally responsible for proper disposal of used devices that do not bear this symbol. This pertains to all products delivered prior to March 29, 2010. Nevertheless, TWAMBO will also be happy to assist you in this case.

If you have any question regarding the disposal of used devices, please contact us under the following telephone number:

+49 (0) 71 41 - 48 89 89 0

Thus, TWAMBO is in strict compliance with the Waste Electrical and Electronic Equipment Directive (2012/19/EU) for the protection of our environment.

TWAMBO is registered under the following WEEE-reg.-no. with the German National Register EAR as a B2B-manufacturer and distributor of electrical devices:

DE93295191

In countries outside of the European Union, comply with local regulations.

TWAMBO GmbH
Karl-Hofer-Str. 42
14163 Berlin
Germany

Phone: + 49 (0) 71 41-48 89 89 0
Fax: + 49 (0) 71 41-48 89 89 99
E-Mail: info@twaudio.de
WWW: www.twaudio.de