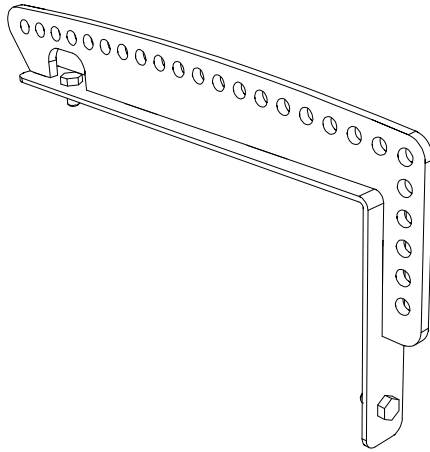


# **URA30i** | **Assembly Instructions**



## Introduction

Thank you for choosing a high-quality product “MADE IN GERMANY” from the brand TWAUDIÖ.

The universal rigging adaptor URA30i is an accessory for the T30i loudspeaker.

It is characterized by a subtle look, a remarkable size to weight ratio and ease of use.

If you lend your product to another party, inform that party of the safety-related operating procedures and hand over this assembly guide. If you require additional copies of this manual, you can obtain them free of charge from TWAUDIÖ or download them from [www.twaudio.de](http://www.twaudio.de)

### Instructions in this user manual

Strictly adhere to the instructions contained in this operating manual that are marked as follows:



This symbol in combination with the signal word “Warning” identifies a potentially hazardous situation. Failure to comply with this safety instruction can lead to serious injury or even death.



This symbol in combination with the signal word “Caution” identifies a potentially hazardous situation. Failure to comply with this safety instruction can lead to light or moderate injury.



This symbol in combination with the signal word “Note” identifies a potentially hazardous situation. Failure to comply with this safety instruction can lead to product damage.



This symbol in combination with the signal word “Tip” identifies additional information or notes that will simplify working with TWAUDIÖ products on the basis of practical experience.

## Notes on the products

**Read manual  
before use!**

Before using the device, carefully read the assembly instructions and keep it with the URA30i universal rigging adaptor.

## General information

Assembly instructions: OM-URA30i  
Version 2.1 en, 08/2023  
© by TWAMBO 2023; all rights reserved.

All information contained in this operating manual was correct to the best of our knowledge at the time of printing.

Quality warranties or assurance of suitability for a certain type of use based on the technical specifications, dimensions and weights are not granted by TWAMBO.

TWAMBO also shall not assume liability for any secondary damage (property damage and/or personal injury) nor for the failure to comply with this operating manual!

TWAMBO reserves the right to update this document based on recent developments.

TWAMBO GmbH  
Karl-Hofer-Str. 42  
14163 Berlin  
Germany

Phone : + 49 (0) 71 41-48 89 89 0  
Fax: + 49 (0) 71 41-48 89 89 99  
E-Mail: [info@twaudio.de](mailto:info@twaudio.de)  
WWW: [www.twaudio.de](http://www.twaudio.de)

## Content

1. Safety   Intended use .....	5
2. Overview .....	7
2.1 Components .....	7
3. Technical data .....	8
3.1 Data sheet .....	8
4. Commissioning.....	9
4.1 Setup .....	9
4.2 Preparation T30i loudspeaker .....	9
4.3 Needed tools for setup .....	10
4.4 Wind load .....	10
4.5 Assembly URA30i to loudspeaker.....	11
5. Transport and storage .....	12
6. CE Conformity Declaration.....	13
7. Disposal .....	13

## 1. Safety | Intended use

Please adhere to the following safety instructions to avoid risks when using accessories.

The URA30i universal rigging adaptor was developed for use in professional sound systems. The universal rigging adaptor may only be used by trained and qualified personnel.

Note the operating modes described in this assembly instructions. Other uses are not permissible.

Damage caused by improper use is not covered by TWAMBO.



Before every operation, check the scope of delivery of the URA30i universal rigging adaptor for its completeness and ensure that all parts are in perfect condition.

The scope of delivery includes specified components. Only use the recommended and certified components.



The URA30i universal rigging adaptor may only used with the T30i loudspeaker.

This rigging manual describes how to use the URA30i universal rigging adaptor correctly. Any other use shall be deemed improper and may result in damage or even injury.

Modifications or alterations to individual parts of the URA30i universal rigging adaptor are not permitted! Danger to life!



The URA30i universal rigging adaptor is designed both for indoor and outdoor use.



The URA30i universal rigging adaptor may only be used by trained and qualified personnel. Personnel must check the URA30i universal rigging adaptor for suitability before each use.



The URA30i universal rigging adaptor must be taken out of operation immediately as soon as visible damage to the parts can be seen.



Please keep all elements of the URA30i universal rigging adaptor away from children! The small parts can easily be swallowed and lead to suffocation!



When working with heavy loads exceeding 20 kg (44 lbs.), use suitable aids (dollies, hoisting slings, etc.). Multiple persons may be required depending on the situation.



The payload of the URA30i universal rigging adaptor is designed for one T30i loudspeaker. Do not exceed this payload.



All screw connections should be checked when the URA30i universal rigging adaptor is installed. If there are loose screws, tighten them. If this is no longer possible, the screws must be replaced.



Whenever you make changes to the flown system, always use new cylinder screws (Item 1) as delivered with the product. These items are available from TWAUDIO.



Before mounting the URA30i universal rigging adaptor check that e.g. ceilings are capable to carrying the payload of the components.



Make sure that no water pipes, electrical lines or any other lines are behind the intended place of mounting.



Only use wall plugs and screws which are suitable for the intended mounting and structural fabric. All screws must be set and tightened properly. Ensure that the fixing holes have the correct depth and diameter. Always use all fixing holes.



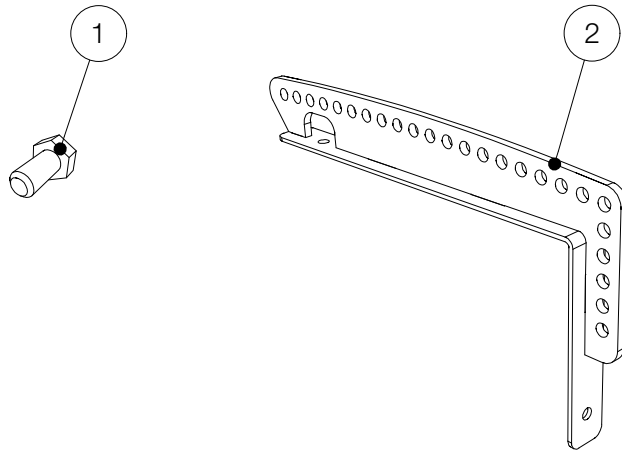
When moving (assembling, dismantling, maintaining) the URA30i universal rigging adaptor with T30i loudspeaker, ensure sufficient space to prevent collisions with other objects.



Do not squeeze or twist the electrical cables of the T30i loudspeaker during the installation of the URA30i universal rigging adaptor! The respective national electrotechnical rules and regulations are applicable.

## 2. Overview

### 2.1 Components



**Figure 2.1 - Overview**

- |    |                             |          |
|----|-----------------------------|----------|
| 1. | Hexagon screw M10 x 20..... | 2 pieces |
| 2. | Rigging adaptor URA30i..... | 1 pieces |

### 3. Technical data

#### 3.1 Data sheet

Maximum load capacity	1x T30i
Dimensions (h x w x d)	259 x 459 x 40 mm [10.20 x 18.07 x 1,57 in]
Weight	2,3kg [5.1 lbs]
Surface	Powder-coated



## 4. Commissioning

### 4.1 Setup

The URA30i universal rigging adaptor is designed for hanging operation. TWAUDIÖ provides a wide range of accessories to securely attach the swivel bracket.



Please note that setting up the URA30i universal rigging adaptor always requires two persons!



TWAUDIÖ recommends using only the accessories specified by TWAUDIÖ for securing and mounting loudspeakers.



Whenever you make changes to the flown system, always use new cylinder screws (item 1 on scope of delivery) as delivered with the product. These items are available from TWAUDIÖ.

### 4.2 Preparation T30i loudspeaker

Please note that when the T30i loudspeaker is delivered, a plastic threaded plug is included in all M10 threads because of production reasons.

Before installing the swivel bracket, remove the threaded plugs from the M10 threads that are required.

To do this, follow these steps:



1. Carefully carve the textured paint with a cutter knife on the edge of the threaded plugs. Be careful not to damage the remaining textured paint on the loudspeaker.
2. Then remove the threaded plugs using the torque wrench and the Torx TX30 bit insert.

## 4.3 Needed tools for setup

Have the following tools ready for each setup:

- Cutter knife
- Torque wrench
- Bit insert for torque wrench: TX30

## 4.4 Wind load



Before setting up the system outdoors, consider unexpected wind conditions at the operation site!

Disassemble your system immediately when wind speeds exceed 8 bft (34 to 40 kn / 62 to 74 kph / 38.5 to 46 mph) and secure the system components!

Make sure that there are no persons in the immediate vicinity of the system structure!



Make sure that the system structures are not operated over the audience at wind speeds in excess of 6 bft (22 to 27 kn / 39 to 49 kph / 24.2 to 30.45 mph) and that there are no persons in the immediate vicinity of the system structure!

4.5 Assembly URA30i to loudspeaker



Mount positions 1 and 2 (see figure 2.1) to the T30i loudspeaker as shown in figure 4.5.1 or 4.5.2. Be sure to use both screws.



Tighten both screws sufficiently. (torque: 20Nm)

General safety instructions:



Use shackles that are designed according to the payload for each system setup.



Fasten the URA30i universal rigging adaptor with a shackle and chain hoist according to the pin points.



For the secondary safety component, the respective national electrotechnical regulations apply.



Attach this secondary safety component by using a second shackle, chain sling or chain hoist on another pin point.

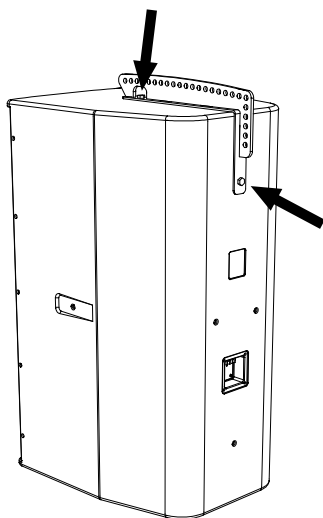


Figure 4.5.1 - Assembly URA30i to T30i loudspeaker - upright

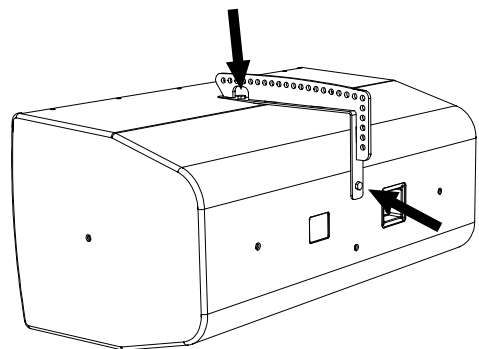


Figure 4.5.2 - Assembly URA30i to T30i loudspeaker - cross

## 5. Transport and storage



Ensure that the surface of the universal rigging adaptor is not damaged during transport and storage. Moisture may penetrate where steel surfaces are exposed by scratches and result in corrosion.

This is why the product should be transported in a safe, careful, dry and largely dust-free manner.

## 6. CE Conformity Declaration

Copy and translation of the original CE Conformity Declaration:



We hereby declare that the below-referenced components by virtue of their design and construction, and in the configuration placed on the market by us, satisfy the safety and health requirements of the applicable EC directives. This declaration becomes invalid in case of modifications that have not been approved by us.

### **This declaration applies to the following components**

- URA30i

as well as all model variants based on these, provided that they correspond to the original factory models and have not been technically modified in any way.

### **Applicable directives:**

- 2001/95/EG

### **Applicable national standards and technical specifications:**

- DIN EN 18800
- DIN EN ISO 12100
- DGUV Vorschrift 17 und 18

Berlin, Germany, January 1st, 2021

A handwritten signature in black ink, appearing to read 'Wüstner', is positioned above the printed name 'Bernhard Wüstner'.

Bernhard Wüstner

## 7. Disposal

If you have any question regarding the disposal of used devices, please contact us under the following telephone number:

+49 (0) 71 41 - 48 89 89 0

In countries outside of the European Union, comply with local regulations.

TWAMBO GmbH  
Karl-Hofer-Str. 42  
14163 Berlin  
Germany

Phone: + 49 (0) 71 41-48 89 89 0  
Fax: + 49 (0) 71 41-48 89 89 99  
E-Mail: [info@twaudio.de](mailto:info@twaudio.de)  
WWW: [www.twaudio.de](http://www.twaudio.de)