



With the VERA S18 subwoofer, it is now possible to configure cardioid sub arrays with reversed subs within a VERA10 array. The creation of these clusters is facilitated by additional connectors positioned in the front grille, while its band-pass design, inspired by the B18 subwoofer, guarantees the same acoustic quality, a deep low frequency extension, defined punch and high SPL. All of which makes the S18 the universal subwoofer for the VERA10 system.

Key Features

- » Symmetrical band pass design
- » Tonal control down to 32 Hz
- » 8 handles
- » M20 pole mount flanges for distance rods
- » Integrated rigging system for VERA10 arrays
- » Two SpeakON® sockets integrated in the front grille
- » Coherent phase response with all TWAUDIO loudspeakers
- » Operation with dedicated TWAUDIO presets on Lab.gruppen, Powersoft or Dynacord TGX and IPX amplifiers

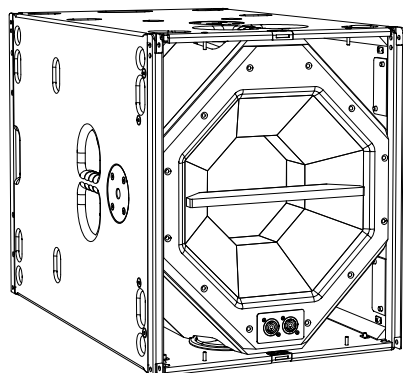
Applications

- » Galas, events and shows
- » Churches, houses of worship, religious places
- » Theatres and cultural places
- » Bars and restaurants
- » Arenas and sports venues
- » Concerts and touring

VERA S18

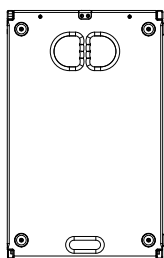
DATASHEET

Technical Data

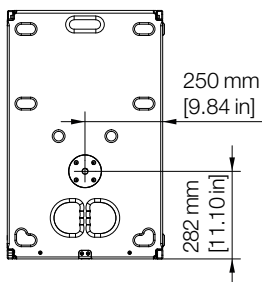
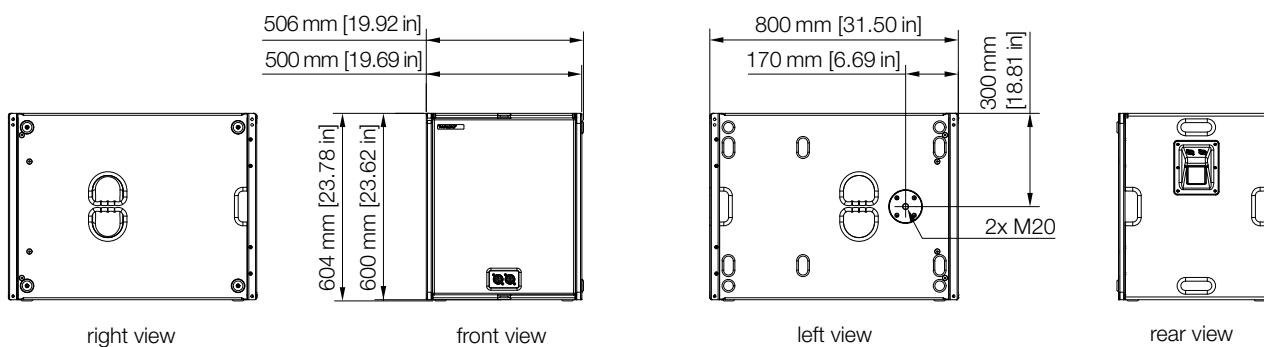


Drivers	1× 18" LF
Frequency range	32 - 160Hz
Power capacity program/peak	2400/4800W
Impedance	8Ω
Sensitivity 1W/1 m	96 dB
SPLmax / 1 m	132 dB
Connection	speakON® NL4 2± rear NL4 1± front
Dimensions (H × W × D)	604 × 506 × 800 mm 23.78 × 19.92 × 31.5 in
Weight	48,4 kg 106.7 lbs
Finish	Polyurea-coated (Warnex RAL colors optional)
Accessories	see twaudio.com

Technical Drawing

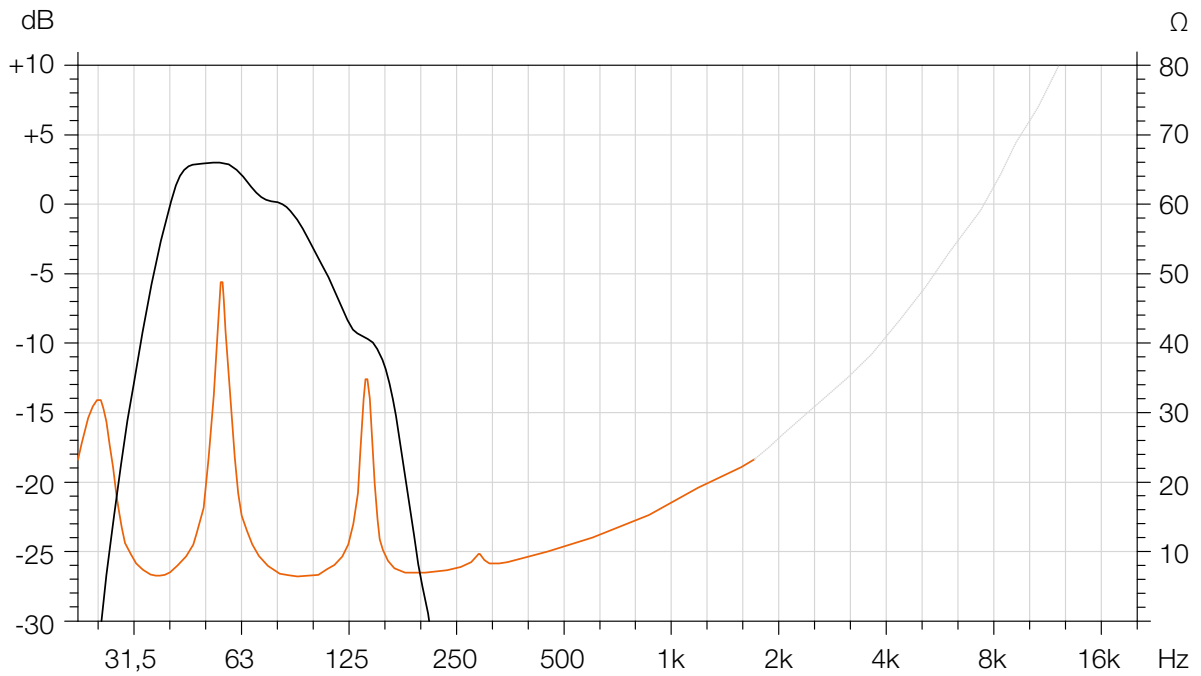


bottom view



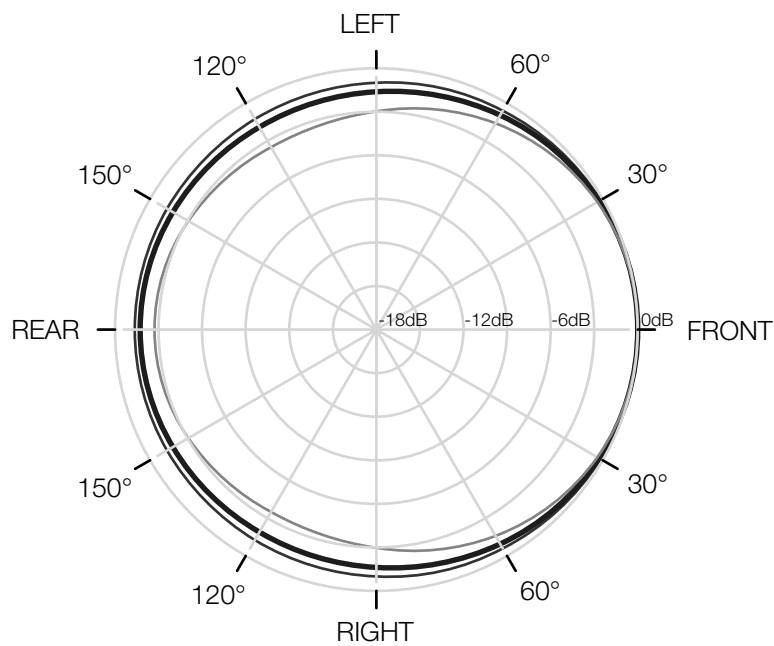
Frequency Response

FULL mode | IMPEDANCE



Polar Pattern

40Hz | 63Hz | 100Hz



Architect Specifications

The loudspeaker shall consist of a symmetrical band-pass enclosure driven and protected by a dedicated powered amplified controller. The loudspeaker shall be a single-channel omnidirectional subwoofer. The loudspeaker shall have a tight control down to 32 Hz. The loudspeaker shall have two speakON® sockets integrated in the front grille. The loudspeaker shall have two M20 pole mount flanges for distance rods.

The enclosure shall feature one 18" long excursion neodymium LF transducer.

The usable system bandwidth shall be 32 Hz to 160 Hz.

Maximum peak SPL shall be 132 dB. The long-term handling capacity shall be 2400 W program and 4800 W peak. The nominal impedance of the loudspeaker shall be 8 Ω.

The enclosure cabinet construction shall consist of first grade birch plywood. The front of the enclosure shall be protected by a perforated, powder-coated steel with flame retardant and hydrophobic, black fabric to the rear. The dimensions shall be 506 mm (19.92 in) in width, 604 mm (23.78 in) in height and 800 mm (31.5 in) in depth and the enclosure weight shall be 48.4 kg (106.7 lbs).

The enclosure shall feature four integrated ergonomic handles and four carrying handles, eight stacking rubber feet and two M20 pole mount flanges to adopt a distance rod when used with a top loudspeaker. The enclosure shall be connected via two parallel 4-pole speakON® sockets at the rear and additional via two parallel 4-pole speakON® sockets at the front.

The loudspeaker shall be the TWAUDIO VERA S18.

References

The response curves of the system are available upon request – support@twaudio.com

Manufacturer:
TWAMBO GmbH
Karl-Hofer-Str. 42
14163 Berlin, Germany

TWAUDIO®

TWAMBO GmbH
Karl-Hofer-Str. 42
14163 Berlin
Germany

Phone: +49 7141 488989-0
Fax: +49 7141 488989-99
Mail: info@twaudio.com

