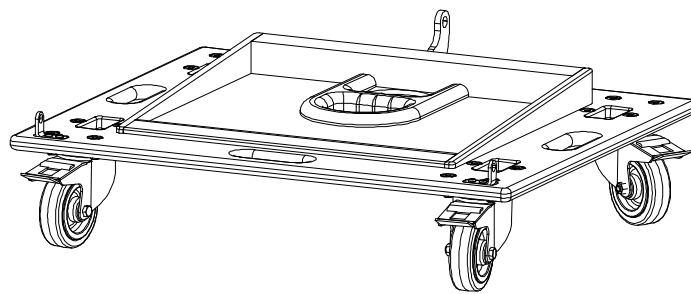


VERA DLV36

Operation manual



Introduction

Thank you for choosing a high-quality product “MADE IN GERMANY” from the brand TWAUDIÖ.

The VERADLV36 dolly is an accessory for the VERA36 loudspeaker.

It is characterized by a subtle look, a remarkable size to weight ratio and ease of use.

If you lend your product to another party, inform that party of the safety-related operating procedures and hand over this assembly guide. If you require additional copies of this manual, you can obtain them free of charge from TWAUDIÖ or download them from www.twaudio.de

Instructions in this user manual

Strictly adhere to the instructions contained in this operating manual that are marked as follows:



This symbol in combination with the signal word “Warning” identifies a potentially hazardous situation. Failure to comply with this safety instruction can lead to serious injury or even death.



This symbol in combination with the signal word “Caution” identifies a potentially hazardous situation. Failure to comply with this safety instruction can lead to light or moderate injury.



This symbol in combination with the signal word “Note” identifies a potentially hazardous situation. Failure to comply with this safety instruction can lead to product damage.



This symbol in combination with the signal word “Tip” identifies additional information or notes that will simplify working with TWAUDIÖ products on the basis of practical experience.

Notes on the products

**Read manual
before use!**

Before using the dolly, carefully read the operation manual and keep it in a safe place together with the VERA DLV36 dolly.

General information

Operation manual: OM-VERADLV36
Version 2.0 en, 10/2022
© by TWAMBO 2023; all rights reserved.

All information contained in this operating manual was correct to the best of our knowledge at the time of printing.

Quality warranties or assurance of suitability for a certain type of use based on the technical specifications, dimensions and weights are not granted by TWAMBO.

TWAMBO also shall not assume liability for any secondary damage (property damage and/or personal injury) nor for the failure to comply with this operating manual!

TWAMBO reserves the right to update this document based on recent developments.

TWAMBO GmbH
Karl-Hofer-Str. 42
14163 Berlin
Germany

Phone : + 49 (0) 71 41-48 89 89 0
Fax: + 49 (0) 71 41-48 89 89 99
E-Mail: info@twaudio.de
WWW: www.twaudio.de

Content

- 1. Safety | Intended use 5
- 2. Overview 7
 - 2.1 Components 7
- 3. Technical specifications 8
 - 3.1 Data sheet 8
- 4. Commissioning 9
 - 4.1 Preparation VERA36 loudspeaker 9
 - 4.2 Mounting VERA36 loudspeaker on the VERA DLV36 dolly 11
 - 4.3 Danger of tipping VERA DLV36 dolly with VERA36 loudspeaker 17
- 5. Transport and Storage 18
- 6. CE Declaration of Conformity 19
- 7. Disposal 19

1. Safety | Intended use

Please adhere to the following safety instructions to avoid risks when using accessories.

The VERADLV36 dolly was developed for use in professional sound systems. The dolly may only be used by trained and qualified personnel.

Note the operating modes described in this assembly instructions. Other uses are not permissible.

Damage caused by improper use is not covered by TWAMBO.



Before each use, check the integrity of the VERADLV36 dolly and ensure that all components are in perfect condition.



The VERADLV36 dolly may only be used with the VERA36 loudspeaker.

These assembly instructions describe how to use the VERADLV36 dolly. Any other use shall be deemed improper and may result in damage or even injury.

Modifications or alterations to individual parts of the VERADLV36 dolly are not permitted!
Danger to life!



During and after each system setup, check that all quick-lock pins are always completely inserted! All quick-lock pins must always be used!



The VERADLV36 is an accessory designed both for indoor and outdoor use.



The VERADLV36 dolly may only be used by trained and qualified personnel. Personnel must check the VERADLV36 for its full suitability before each use.



When visible damage to any part of the VERADLV36 dolly is detected, it must be decommissioned immediately.



When moving the VERADLV36 dolly, ensure full load-bearing capacity and stability of the substrate.

The VERADLV36 dolly is specified for a load of not more than four VERA36 loudspeakers. This load capacity must never be exceeded!



During movement (assembly or dismantling, transport to the place of use) of the VERADLV36 dolly with VERA36 loudspeakers, ensure sufficient space to prevent collisions with other objects.

2. Overview

2.1 Components

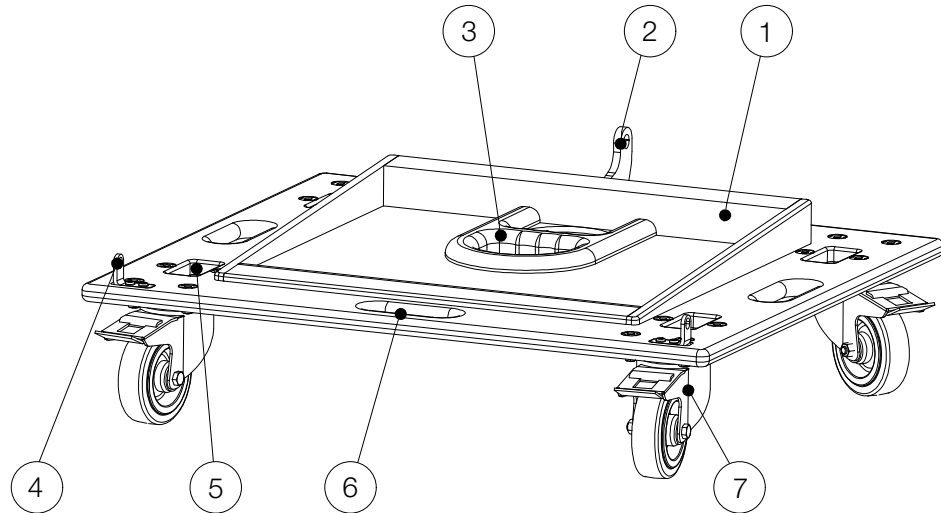


Figure 2.1 - Overview

1. Transport dolly - Polyurea coated surface
2. Retaining bracket
3. Ergonomic handle
4. Front angle (2 pieces)
5. Recesses for stacking the VERADLV36 dollies (4 pieces)
6. Handle (4 pieces)
7. Swivel castors with brakes, 100mm (4 pieces)

3. Technical specifications

3.1 Data sheet

Maximum load capacity	4x VERA36
Dimensions (h x w x d)	100 x 700 x 650 mm [3,94 x 27,56 x 25,59 in]
Weight	10,5 kg [23,15 lbs]
Surface	Polyurea-coated

4. Commissioning

4.1 Preparation VERA36 loudspeaker

To prepare the VERA36 loudspeakers for transport on the dolly, proceed as follows:



1. Loosen the two locking pins at the front of four VERA36 loudspeakers.

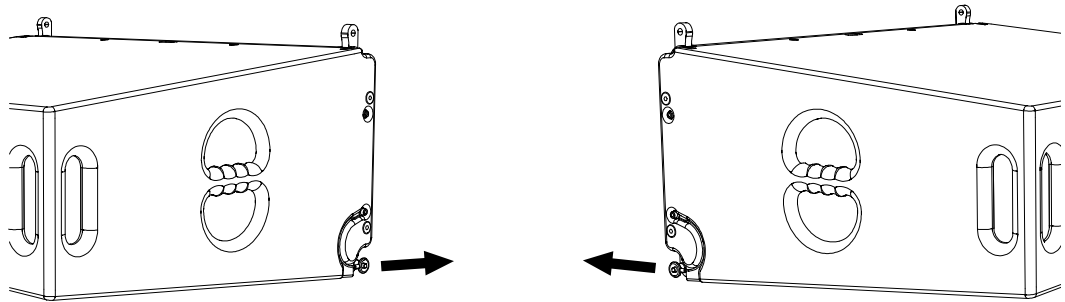


Figure 4.1.1 - loosen locking pin in front



2. Loosen the rear locking pin of four VERA36 loudspeakers.

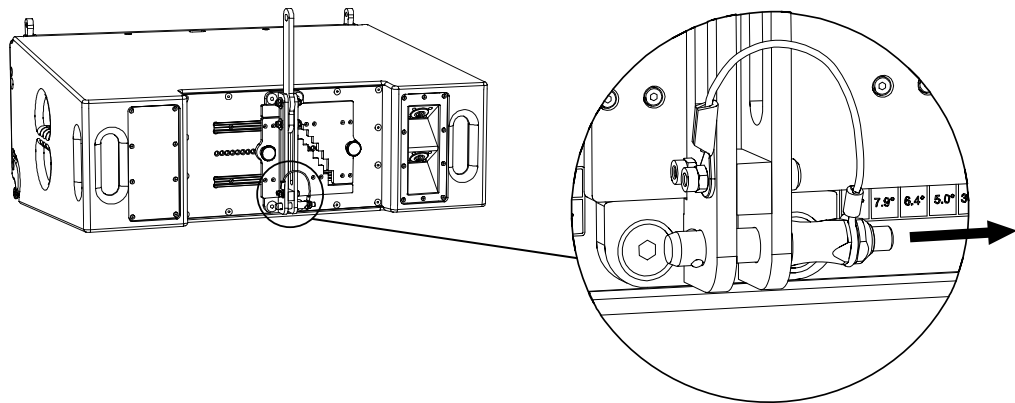


Figure 4.1.2 - loosen rear locking pin



- Slide the right slider completely to the right. With one hand, pull the bracket all the way up and with the other hand, slide the left slider completely to the right so that the rear rigging is set to 0 degrees. Repeat this for all four VERA36 loudspeakers.

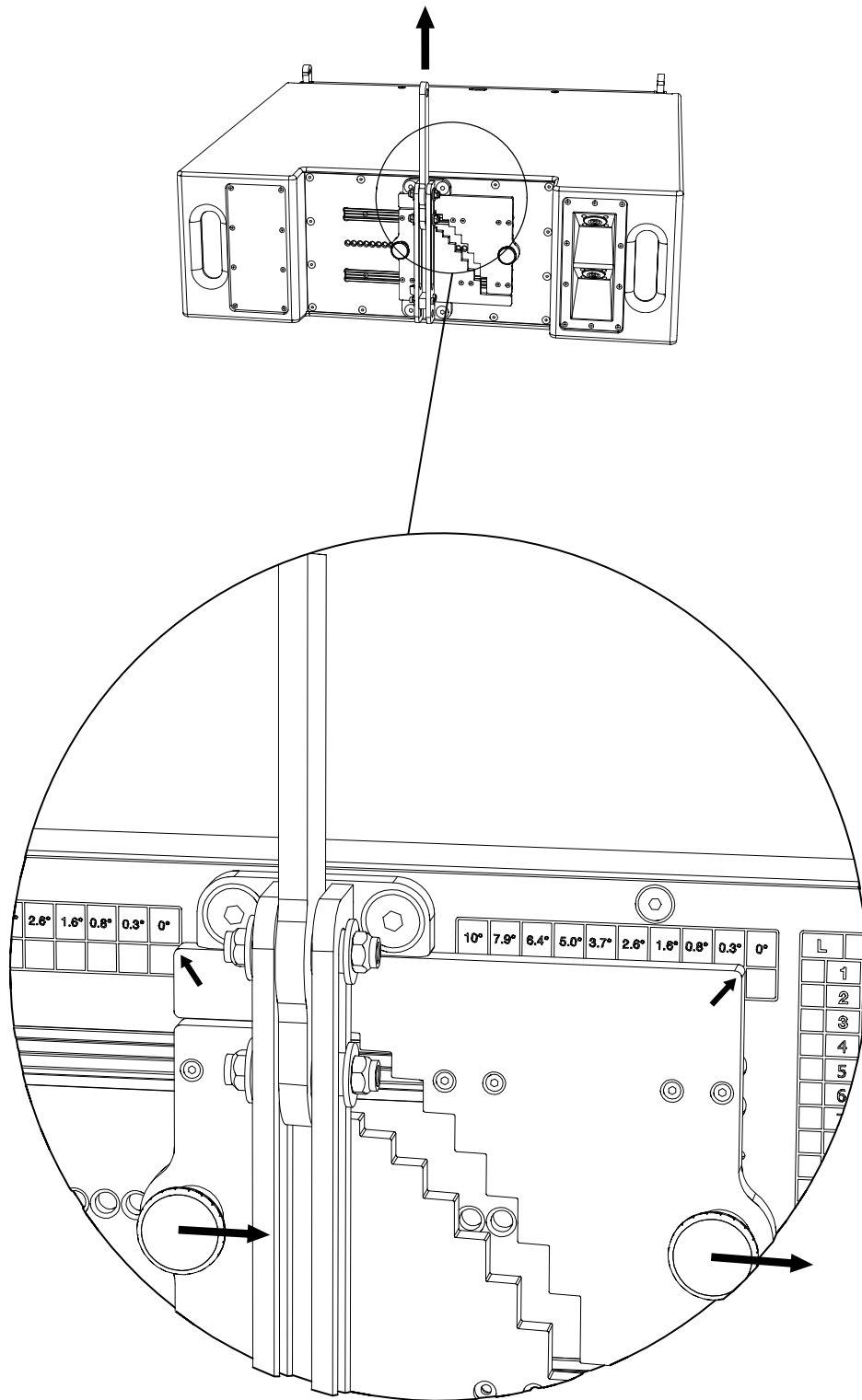


Figure 4.1.3 - move all sliders to zero degree

4.2 Mounting VERA36 loudspeaker on the VERA DLV36 dolly

To load the VERA36 loudspeakers onto the dolly, proceed as follows:



1. Press down the locking levers on the two castors with your foot. This will secure the dolly from rolling away.

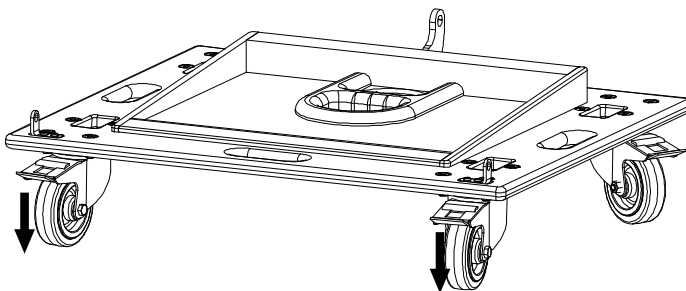


Figure 4.2.1 - dolly



2. Please note that setting up the VERA DLV36 dolly with VERA36 loudspeakers always requires two persons!



3. Have two persons place the first VERA36 loudspeaker on the VERA DLV36 dolly.



4. Now attach the two locking pins of the VERA36 into the holes in the front angles (see figure 2.1-pos.4) of the VERA DLV36 dolly.
5. Check that all locking pins are always completely inserted!

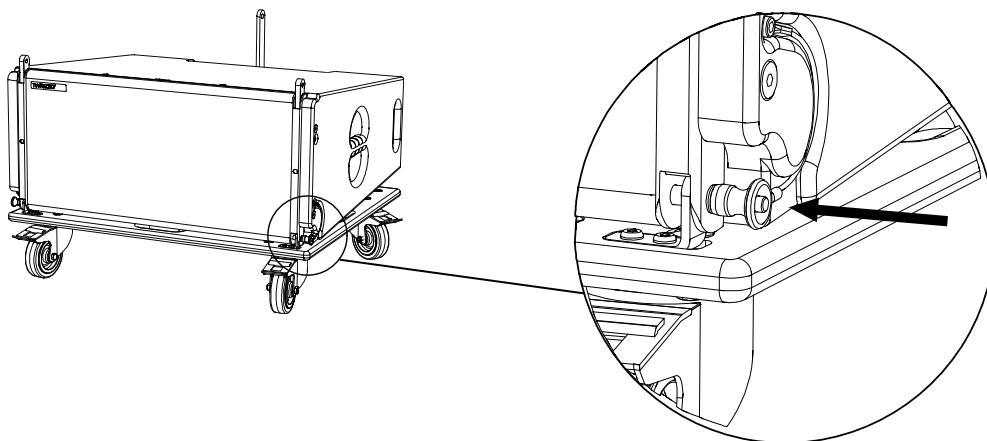


Figure 4.2.2 - first VERA36 loudspeaker on VERA DLV36 dolly



6. Now attach the rear locking pin of the VERA36 to the hole in the retaining bracket (see figure 2.1 - pos.2) of the VERADLV36 dolly.
7. Check that the locking pin is always completely inserted!

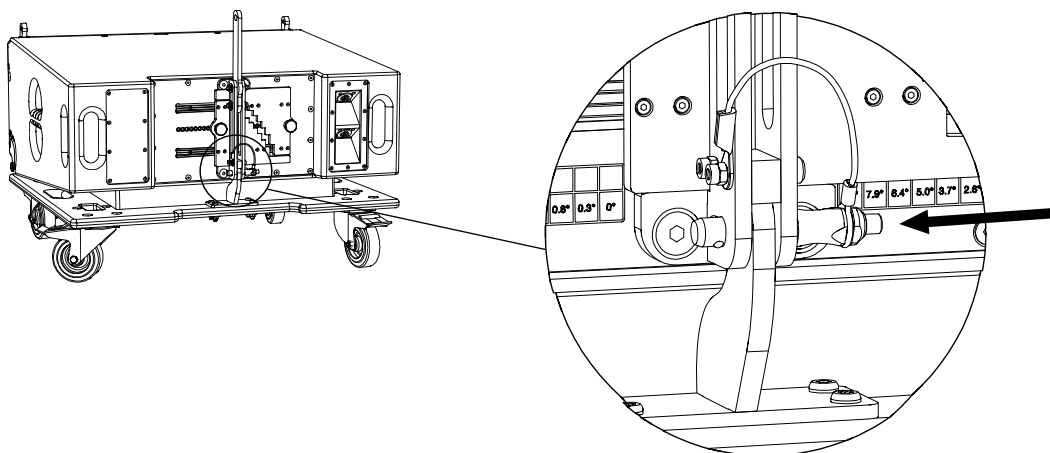


Figure 4.2.3 - insert rear locking pin



8. Next, use two people to put the second VERA36 loudspeaker on top.
9. Make sure that the links on the first VERA36 loudspeaker interlock at the front and rear of the second rigging tracks.



10. Now attach the two front locking pins of the second VERA36 loudspeaker in the holes of the upper speaker.
11. Check that all locking pins are always completely inserted!

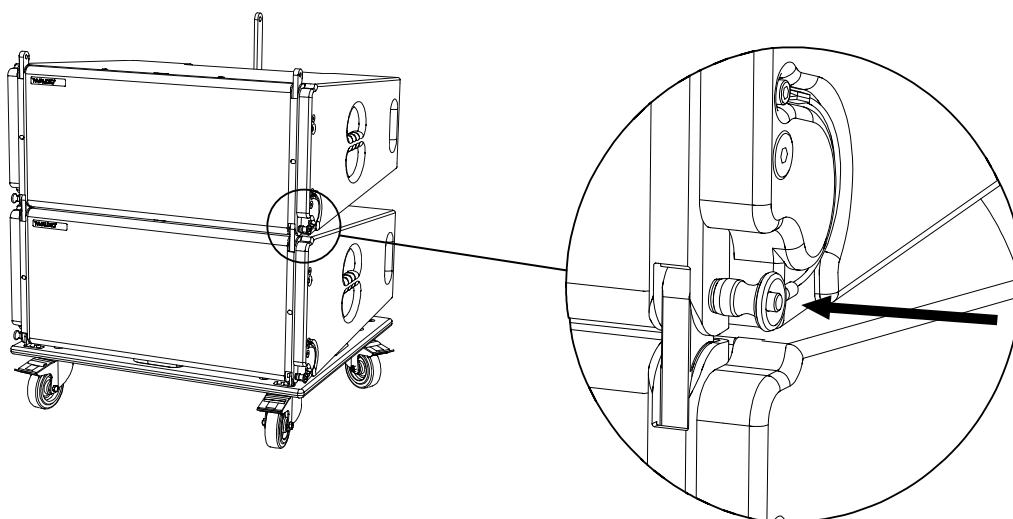


Figure 4.2.4 - insert front locking pins



12. Now attach the rear locking pin of the second VERA36 to the hole in the bracket of the first VERA36 speaker.
13. Check that the locking pin is always completely inserted!

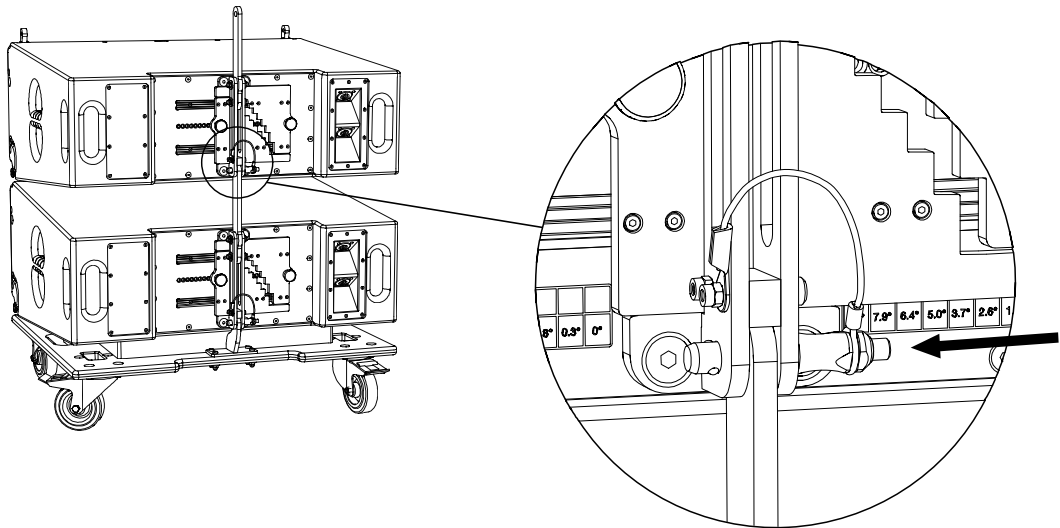


Figure 4.2.5 - insert rear locking pin



14. Follow steps 8 to 11 to mount in front the third and fourth VERA36 loudspeaker in the same manner.
15. Check that all locking pins are always completely inserted!

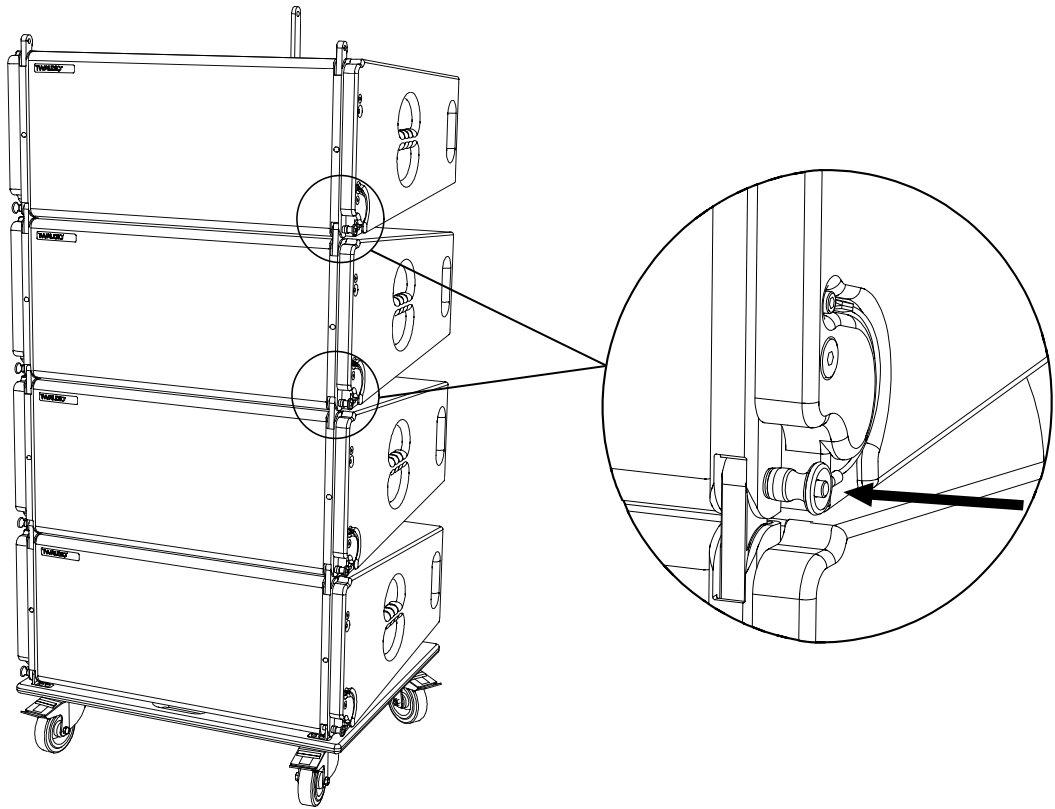


Figure 4.2.6 - third and fourth VERA36 loudspeaker on VERA DLV36 dolly



16. Follow steps 12 and 13 to mount the rear of the third and fourth VERA36 loudspeaker in the same manner.

17. Check that all locking pins are always completely inserted!

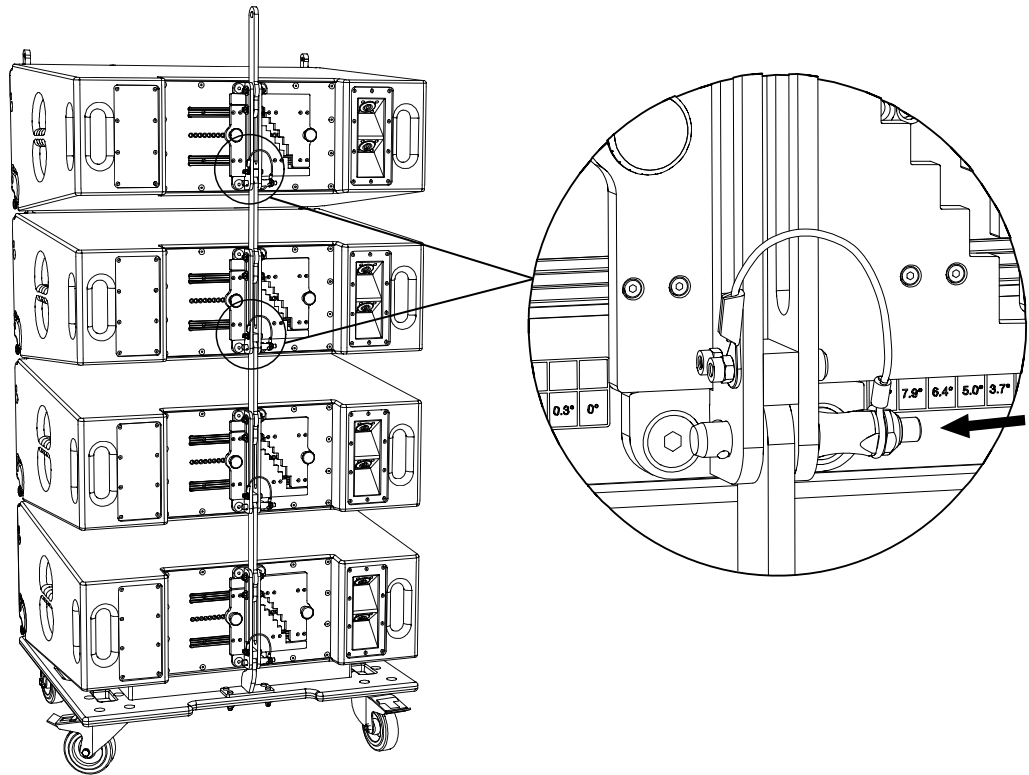


Figure 4.2.7 - third and fourth VERA36 loudspeaker on VERA DLV36 dolly



18. At the top VERA36 loudspeaker, slide the left slider to the left to 5 degrees. Hold the bracket with one hand and lower it. Then, with the other hand on the top VERA36 loudspeaker, slide the right slider to the left to 5 degrees so that the rear rigging on this VERA36 loudspeaker is closed.

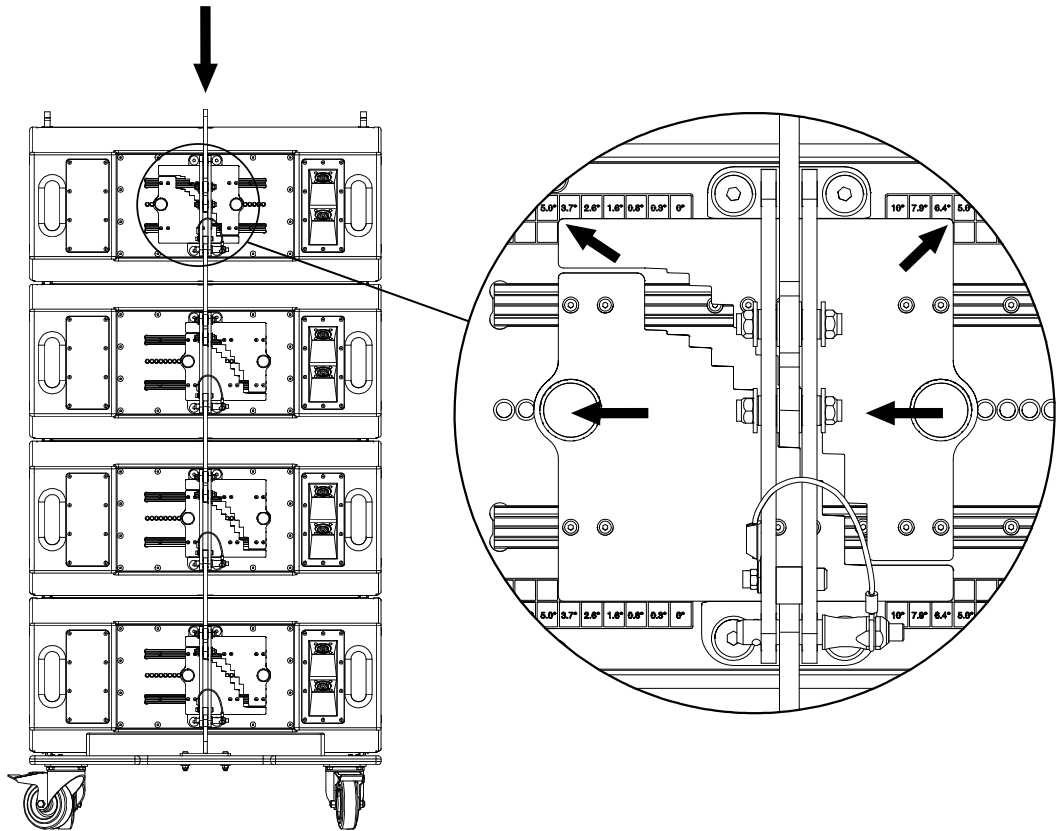


Figure 4.2.8 - move the slider on the top VERA36 loudspeaker to five degree



19. Pull the Cover4V36 cover over the dolly and close it.

20. Lift the locking levers on the two castors with your foot. This will unlock the dolly.

4.3 Danger of tipping VERA DLV36 dolly with VERA36 loudspeaker



When moving the VERA DLV36 dolly transport setup with the VERA36 loudspeaker, note that there is a risk of tipping due to the high center of gravity.

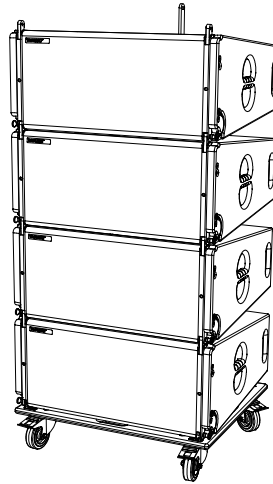


Figure 4.2 - Moving VERA36 loudspeaker with VERA DLV36



The VERA DLV36 dolly can be stacked for storage. For this purpose, recesses (see figure 2.1 - Pos.5) are provided in the dolly (see figure 2.1 - Pos.1).



When moving the stacked dollies, note that there is a risk of tipping on each individual dolly.

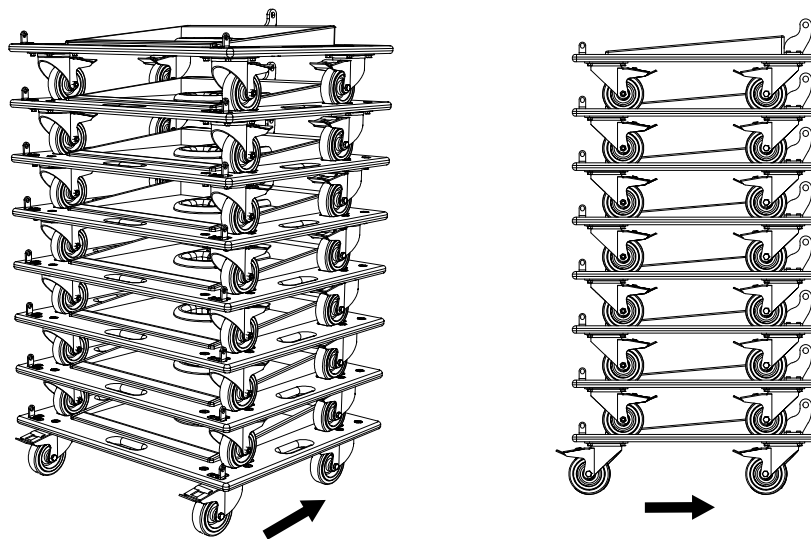


Figure 4.3 - Stacking the dollies

5. Transport and Storage



NOTE

Ensure that the surface of the transport dolly is not damaged during transport and storage. Moisture can penetrate exposed wood surfaces and cause the wood to swell.

This is why the product should be transported and stored in a safe, careful, dry and largely dust-free manner.

The following accessories are available from TWAUDI^o for the transport dolly:

- Cover4V36 (Cover)

The original packaging is not suitable as permanent storage and transport packaging.

6. CE Declaration of Conformity

Copy and translation of the original CE Conformity Declaration:



We hereby declare that the below-referenced components by virtue of their design and construction, and in the configuration placed on the market by us, satisfy the safety and health requirements of the applicable EC directives. This declaration becomes invalid in case of modifications that have not been approved by us.

This declaration applies to the following components

- VERA DLV36

as well as all model variants based on these, provided that they correspond to the original factory models and have not been technically modified in any way.

Applicable directives:

- 2001/95/EG

Applicable national standards and technical specifications:

- DIN EN ISO 12100
- DGUV Vorschrift 17 und 18

Berlin, Germany, January 1st, 2021



Bernhard Wüstner

7. Disposal

If you have any question regarding the disposal of used devices, please contact us under the following telephone number:

+49 (0) 71 41 - 48 89 89 0

In countries outside of the European Union, comply with local regulations.

TWAMBO GmbH
Karl-Hofer-Str. 42
14163 Berlin
Germany

Phone: + 49 (0) 71 41-48 89 89 0

Fax: + 49 (0) 71 41-48 89 89 99

E-Mail: info@twaudio.de

WWW: www.twaudio.de