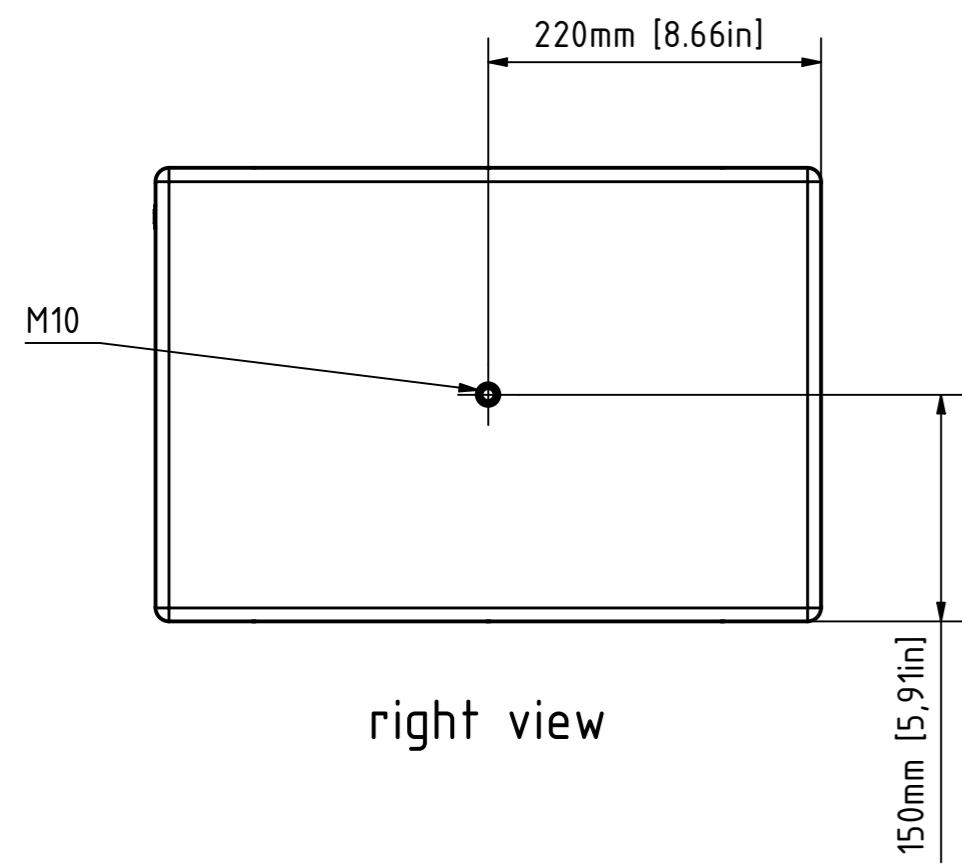
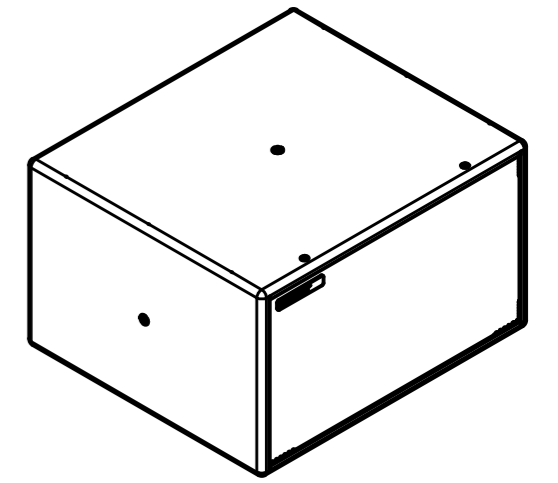
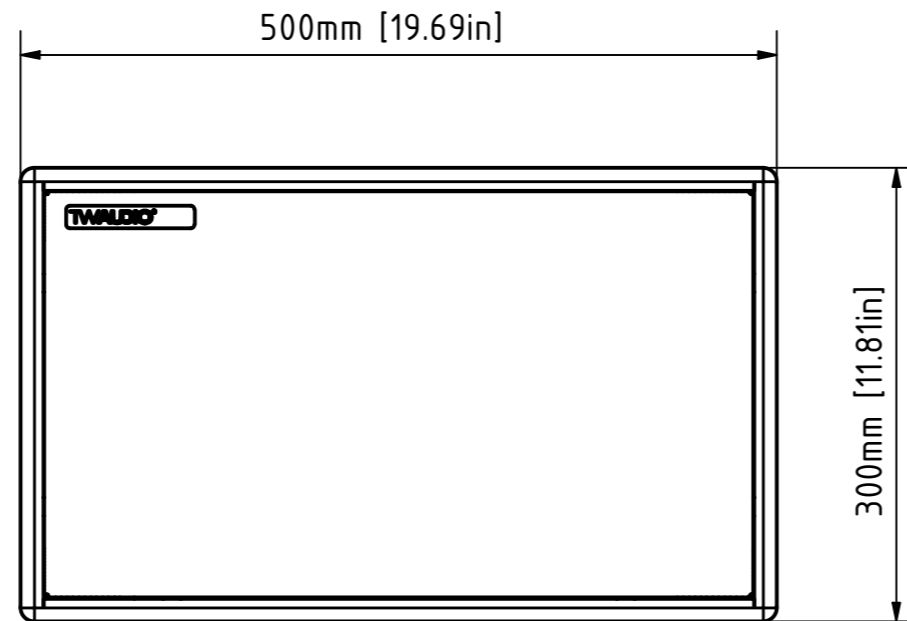


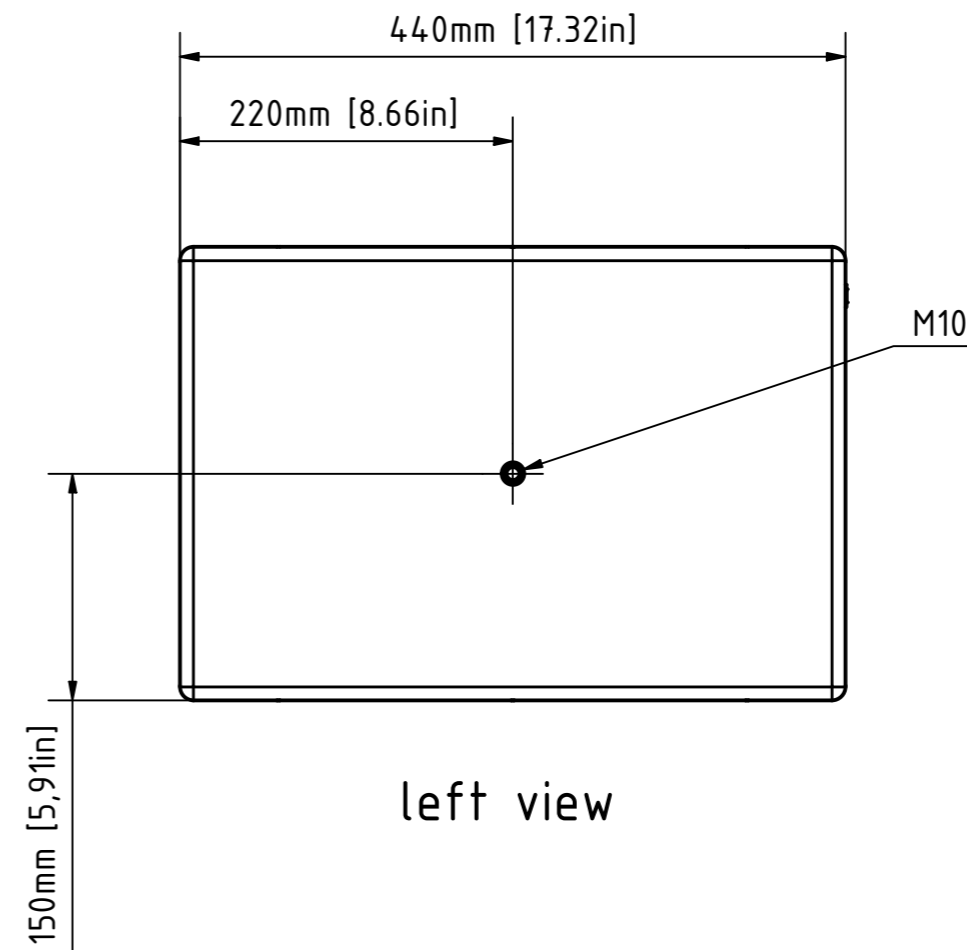
bottom view



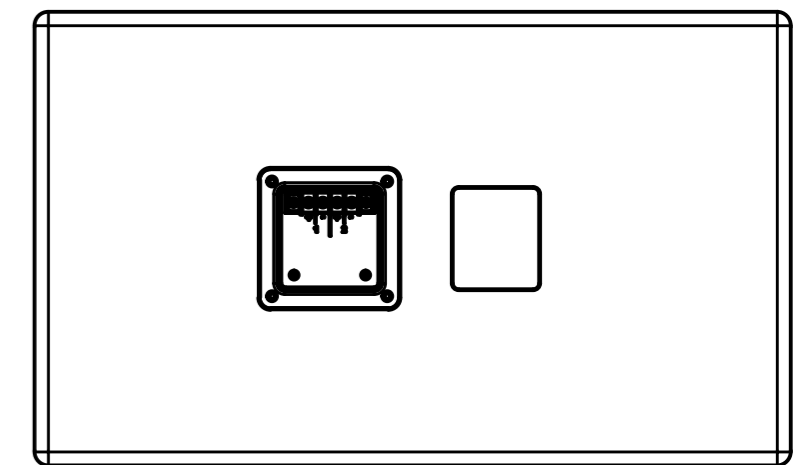
right view



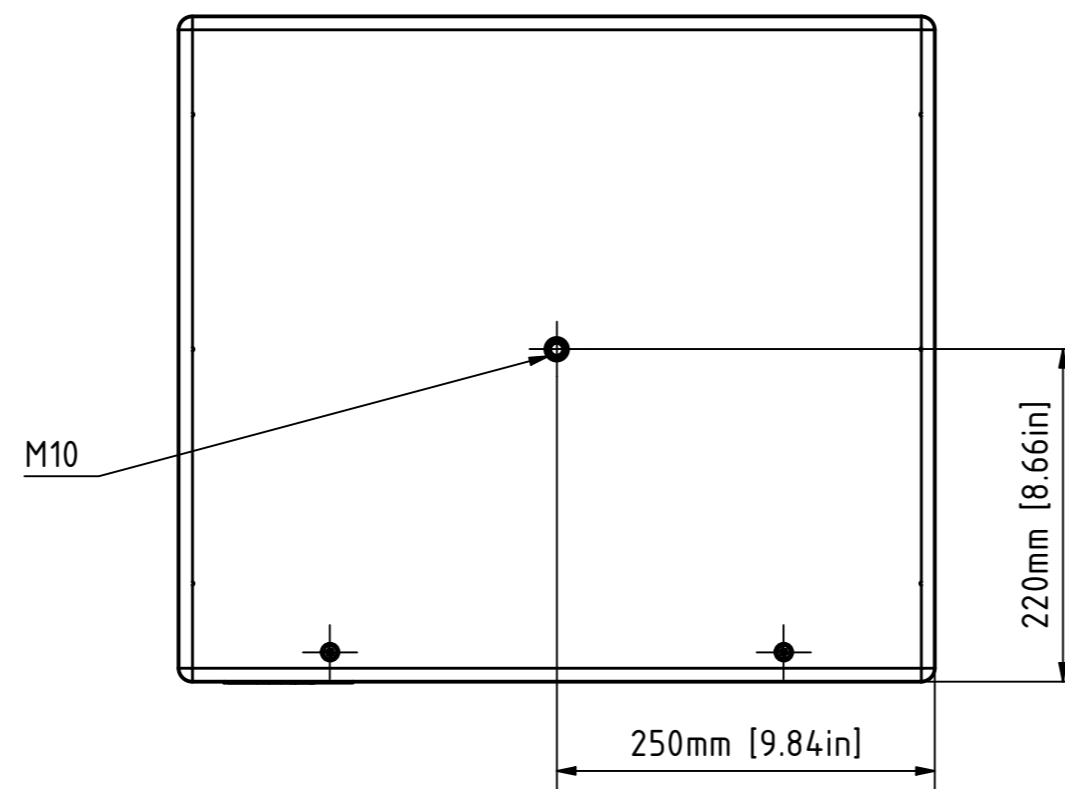
front view



left view



rear view



top view

1	Address modified		24.04.2024	Heike Konrad
rev. no.		description	date	modified by
<b>revision process</b>				
<b>TWAUDIO</b> Karl-Hofer-Str. 42 14163 Berlin www.twaudio.de		scale: 1:5 (1:10)		
All rights to this drawing reserved in accordance with ISO 16016. Copying and distribution by manufacturer's permission only.		weight: 16.1 kg [36 lbs]		
general tolerance ISO 2768-mK ISO 13920-BF ISO 9013-IIA/K according to ISO 8015		document type: overview drawing	order number:	
edges according to ISO 13715 surfaces (Ra) array 2 array 3 according to ISO 1302		status type: released	type: B10i	
		drawn: 02.05.2017 Heike Konrad	drawing number: TWA-B10i-0001	
		checked: 24.04.2024 Heike Konrad	revision no: 1	
		approved: 24.04.2024 Heike Konrad	sheet: 1/1	