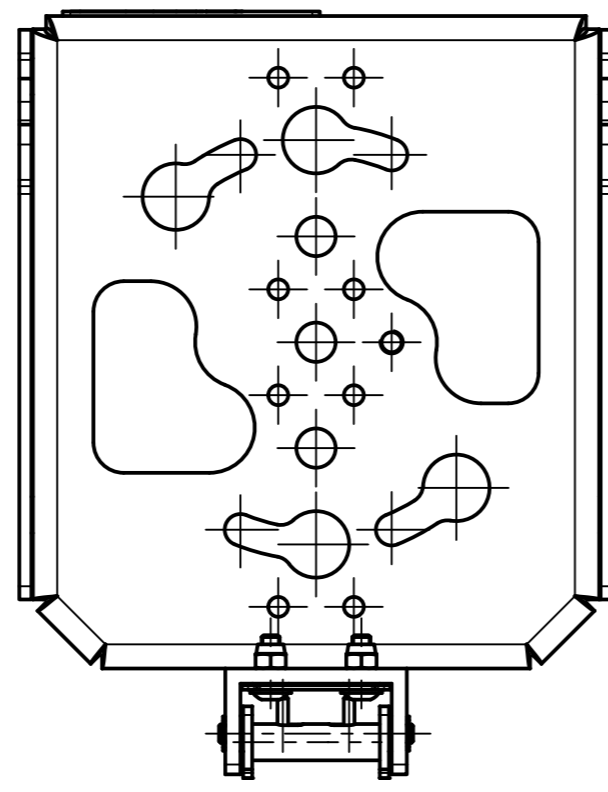
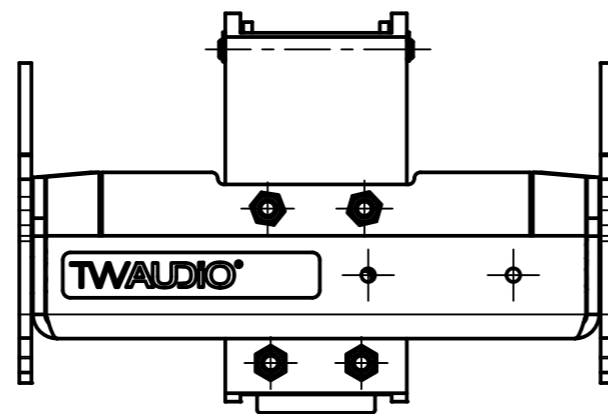


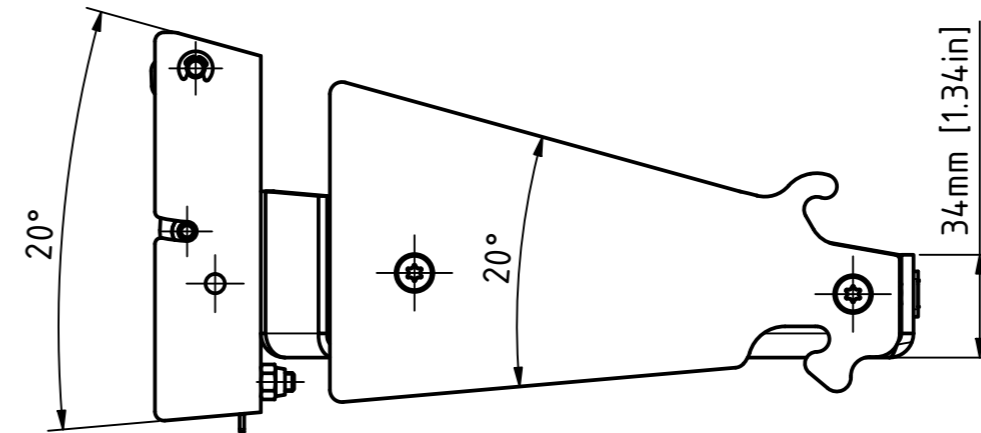
right view



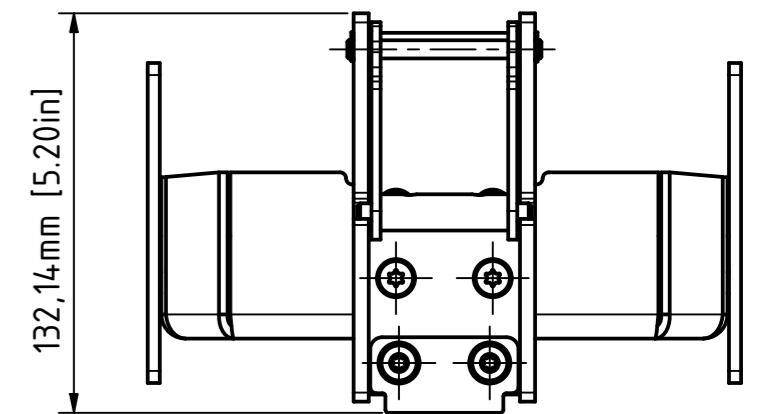
bottom view



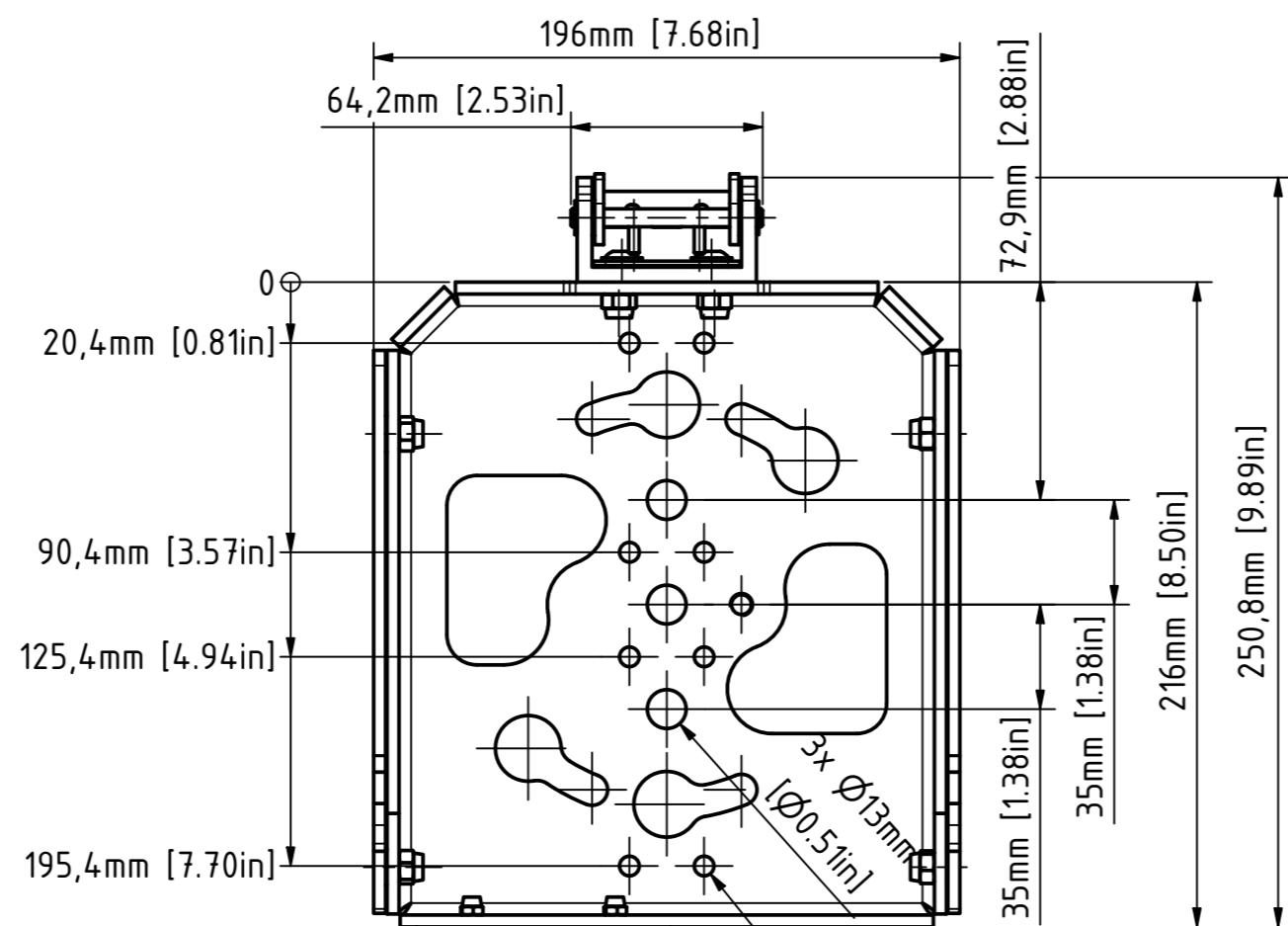
front view



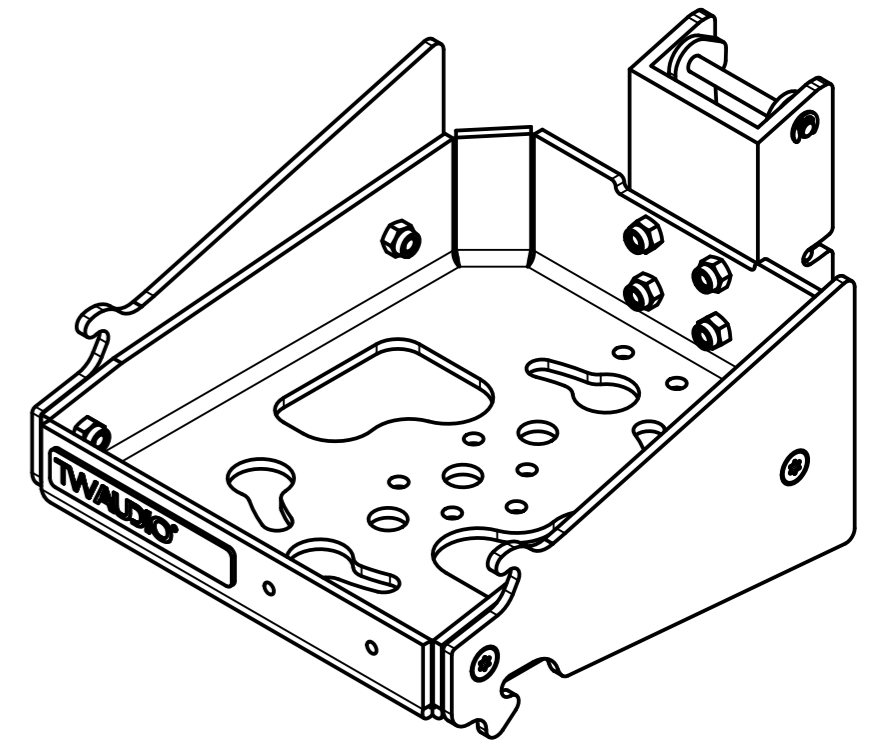
left view



rear view



top view



0			08.07.2024	Heike Konrad
rev. no.		description	date	modified by
<b>revision process</b>				
<b>TWAUDIO</b> Karl-Hofer-Str. 42 14163 Berlin www.twaudio.de		scale: 1:2,5 weight: 3,1 kg (6.83lbs)	order number:	
All rights to this drawing reserved in accordance with ISO 16016. Copying and distribution by manufacturer's permission only.		document type: overview drawing	type: Downtiltadapter E6 - DTE6	
general tolerance ISO 2768-mK ISO 13920-BF ISO 9013-IIA/K according to ISO 8015		status type: development	drawing number: TWA-DTE6-0001	
edges according to ISO 13715 surfaces (Ra) array 2 array 3 according to ISO 1302		date: 02.07.2024 name: Yannick Faas	date: 08.07.2024 name: Heike Konrad	revision no: 0
		checked: 08.07.2024 approved: 08.07.2024	sheet: 1   1 Az	