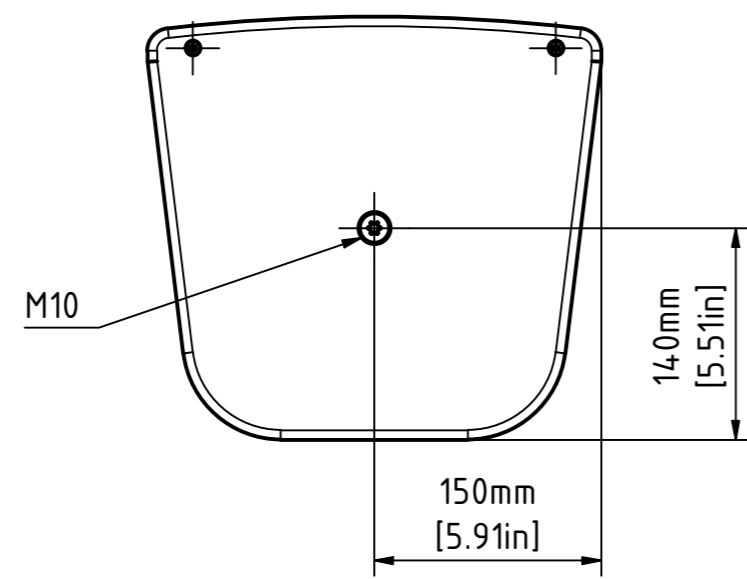


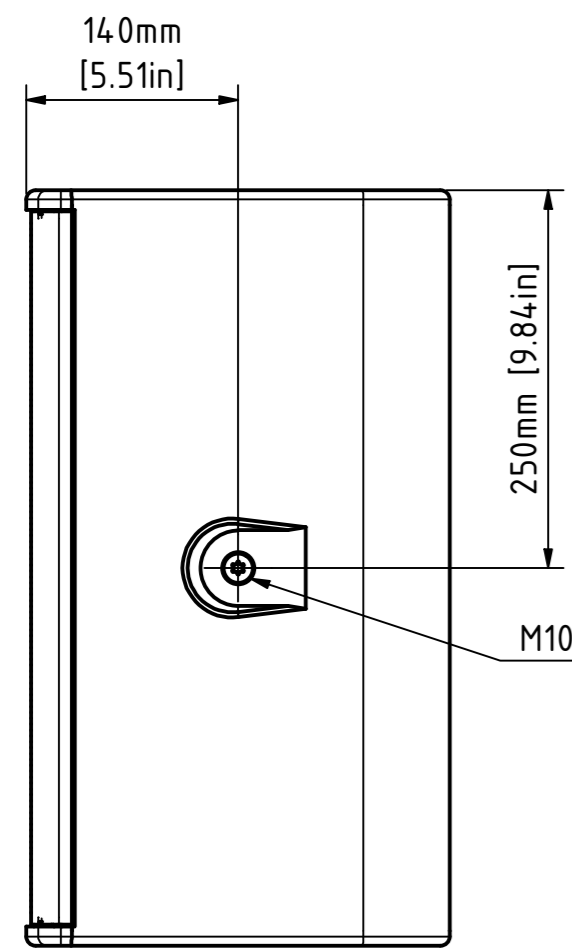
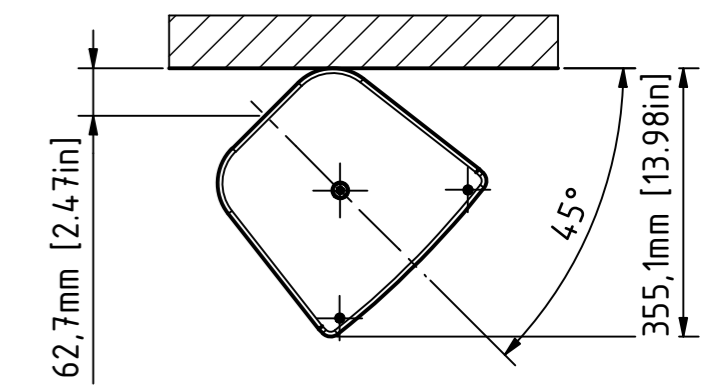
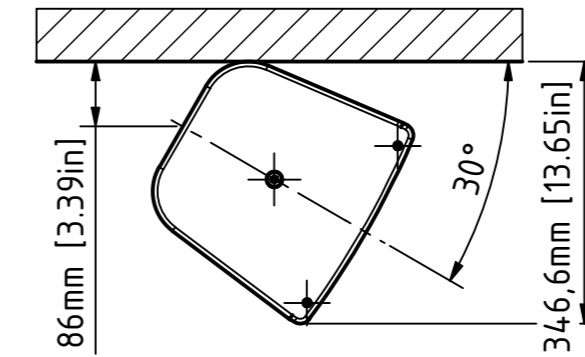
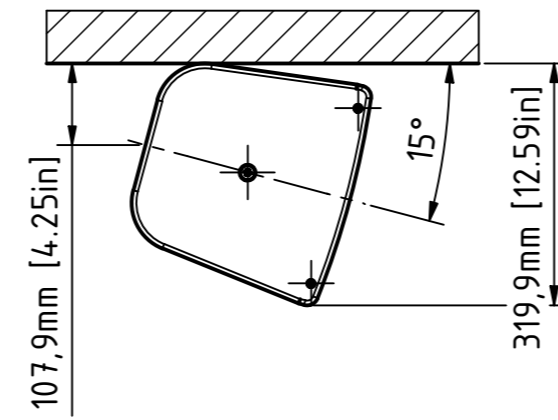
Limit dimensions at 15° downtilt

Limit dimensions at 30° downtilt

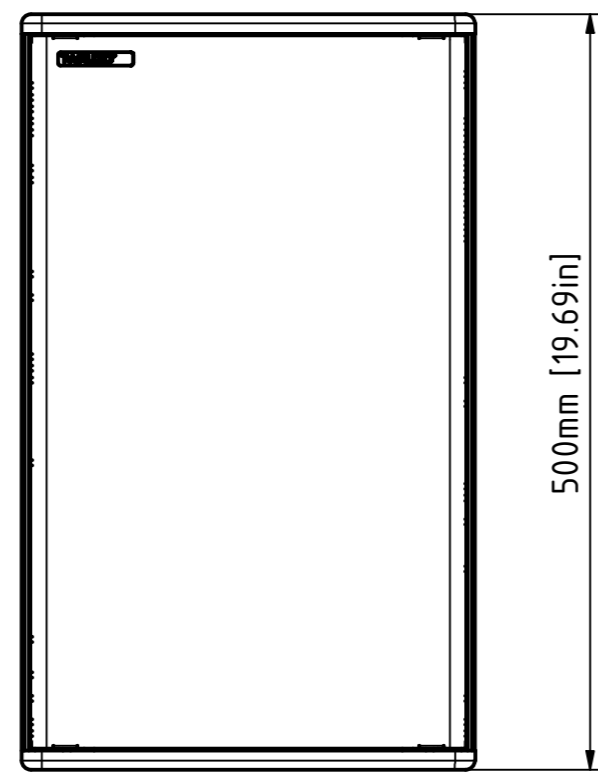
Limit dimensions at 45° downtilt



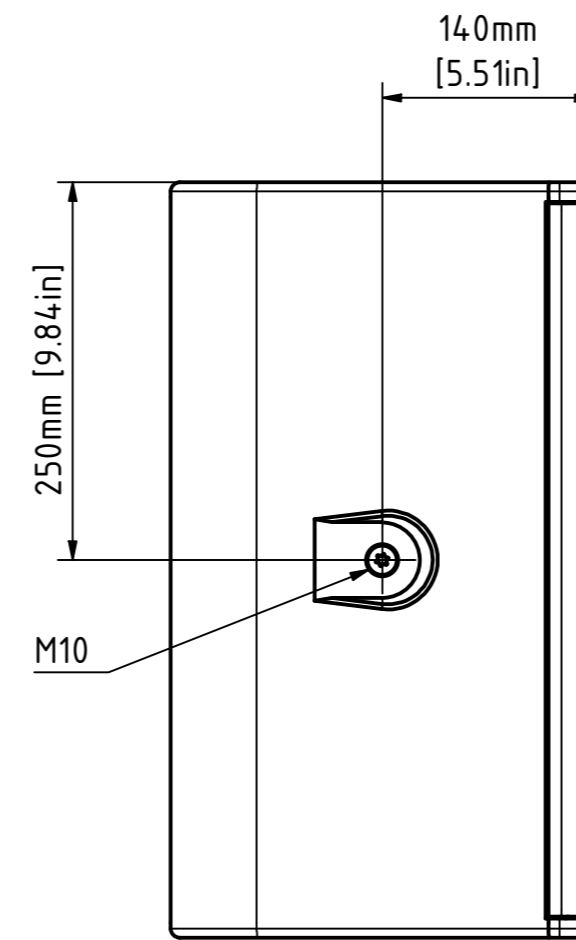
bottom view



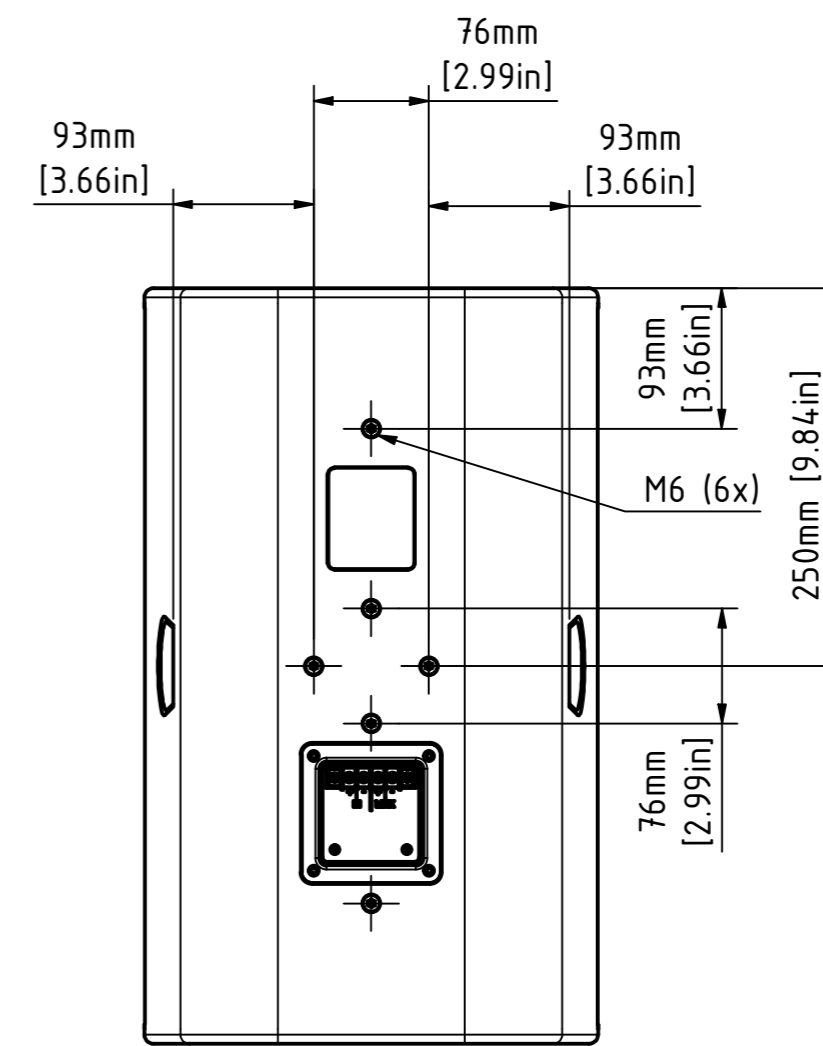
right view



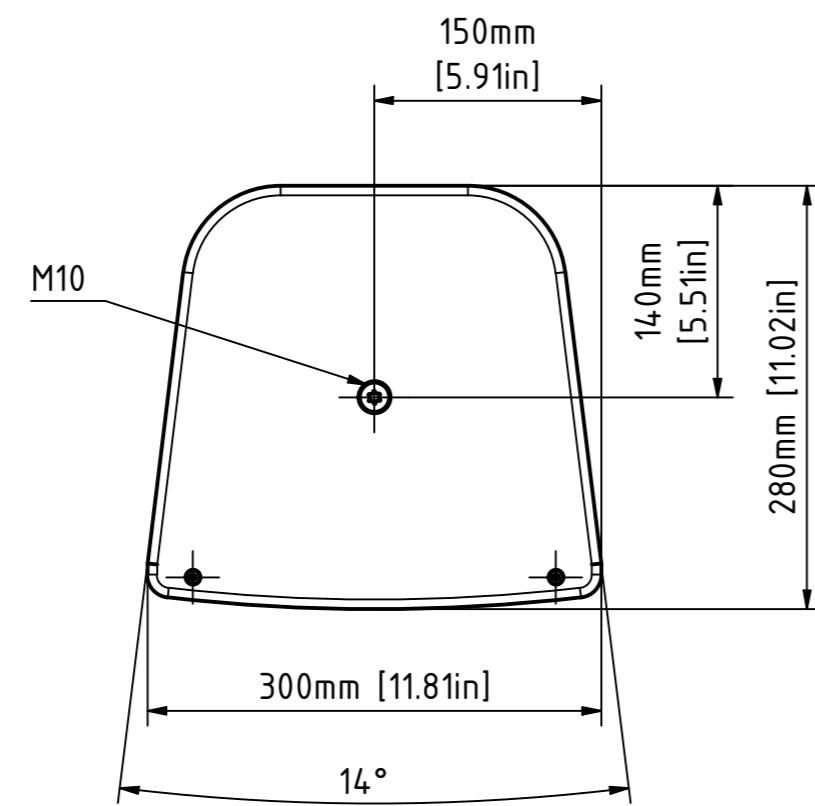
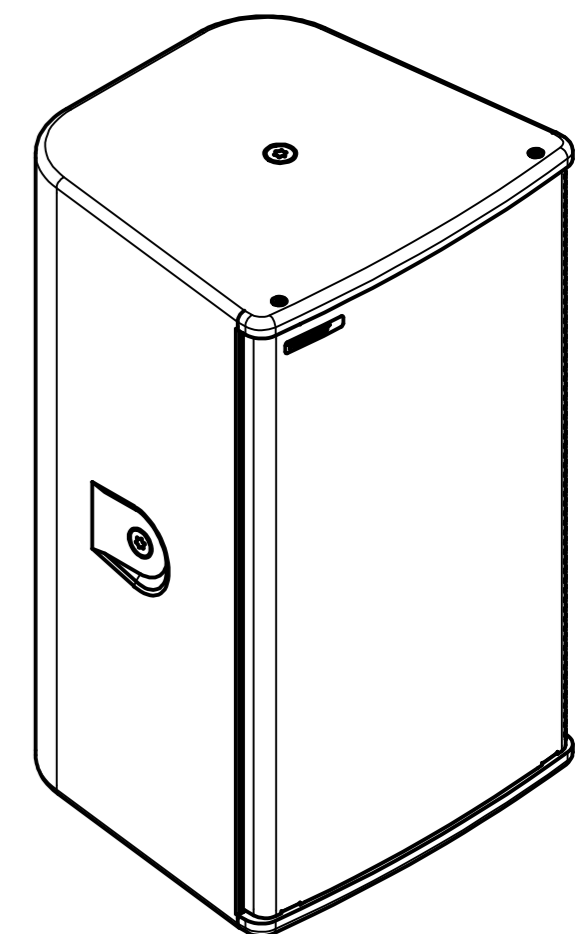
front view



left view



rear view



top view

0			04.03.2024	Heike Konrad
Rev.		Beschreibung	Datum	Geändert von
REVISIONSVERLAUF				
TWAUDIO Karl-Hofer-Str. 42 14163 Berlin www.twaudio.de		scale: 1:5 weight: 15.5kg (34.2 lbs)	order number:	
All rights to this drawing reserved in accordance with ISO 16016. Copying and distribution by manufacturer's permission only.		document type: overview drawing	type: M10i	
status type: released		date: 20.02.2024	name: Heike Konrad	
general tolerance: ISO 2768-mK		constructed: 14.11.2023	YFaas	
edges according to ISO 13715		drawn: 04.03.2024	Heike Konrad	
ISO 13920-BF		checked:		
ISO 9013-IIA/K according to ISO 8015		approved: 04.03.2024	Heike Konrad	
surfaces (Ra) array 2 array 3 according to ISO 1302		drawing number: TWA-M10i-0001	revision no: 0	sheet: 1/1