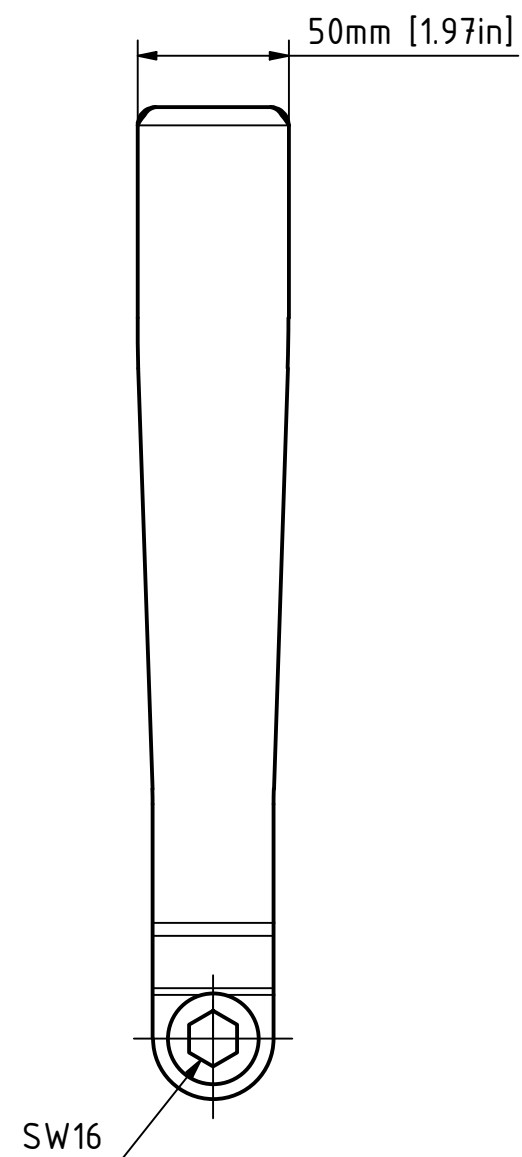
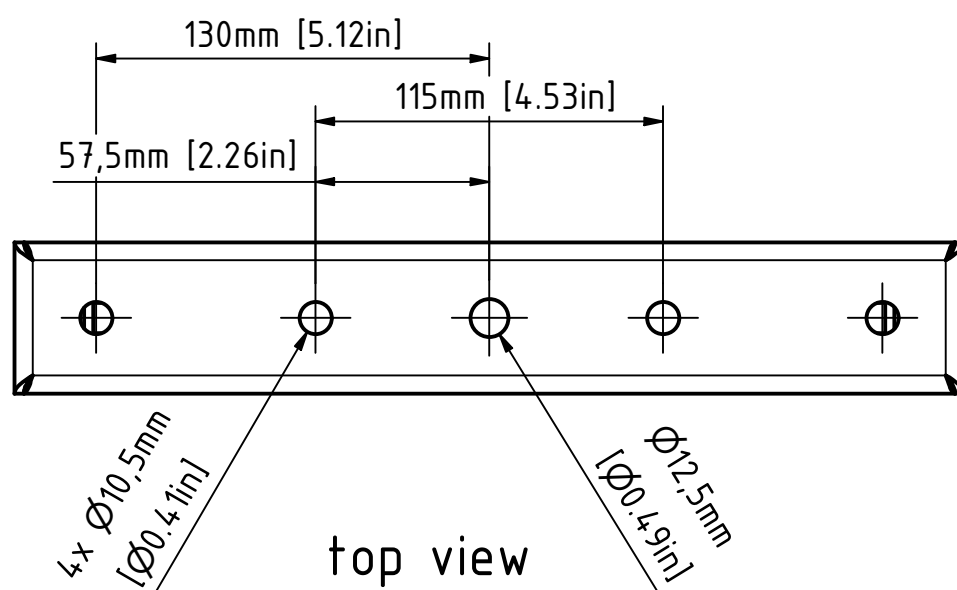
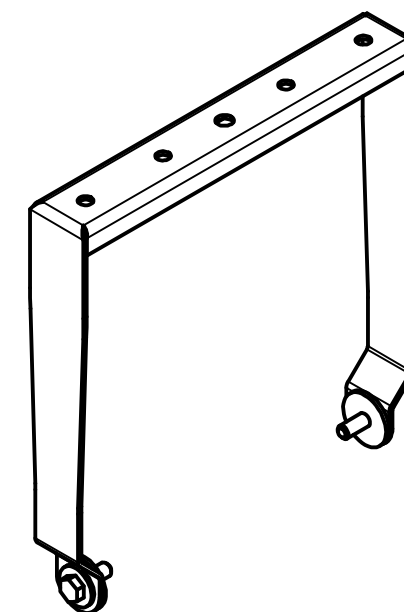


front view



side view



top view

0		11.04.2024	Heike Konrad
rev. no.	description	date	modified by
revision process			
TWAUDIO Karl-Hofer-Str. 42 14163 Berlin www.twaudio.de	scale: 1:2,5 (1:5)		
	weight: 1,6 kg [3.53lbs]		
All rights to this drawing reserved in accordance with ISO 16016. Copying and distribution by manufacturer's permission only.	document type: overview drawing	order number:	
	status type: released	type: Installation swivel bracket	
general tolerance according to ISO 2768-mK ISO 13920-BF ISO 9013-IIA/K according to ISO 8015	edges according to ISO 13715	date	name
	surfaces (Ra) array 2 array 3 DIN ISO 1302	constructed: 16.11.2023	Heike Konrad
	drawn: 16.11.2023	Heike Konrad	
	checked:		
	approved: 11.04.2024	Heike Konrad	
C:\CAD_TW_AUDIO\CAD-Daten\Zubehör\Schwenkbügel\SBM10i\SBM10i-kpl.iam		drawing number: TWA-SBM10i-0001	revision no.: 0
		sheet: 1	1
		A3	