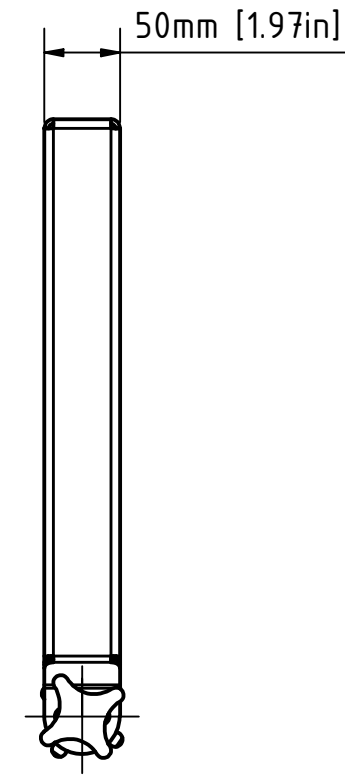
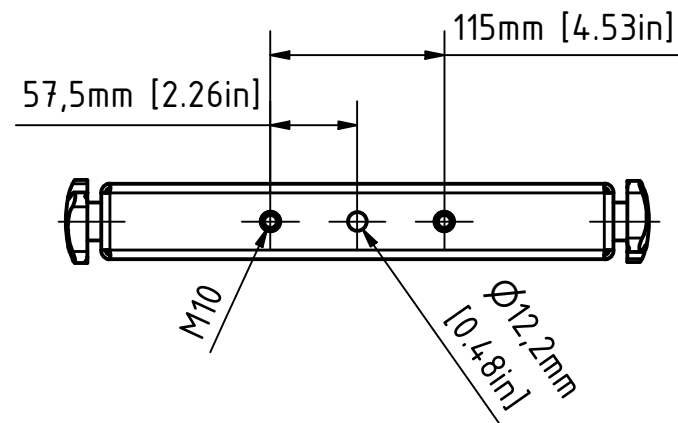


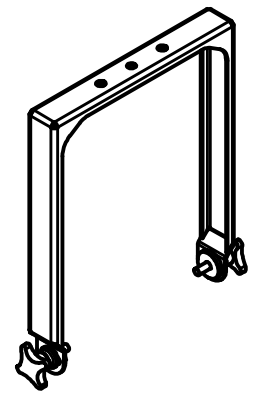
front view



side view



top view



1	Adress modified	15.04.2024	Heike Konrad
rev. no.	description	date	modified by
<b>revision process</b>			
<b>TWAUDIO®</b> Karl-Hofer-Str. 42 14163 Berlin www.twaudio.de	scale: 1:5 (1:10)		
	weight: 3,0 kg [6.6lbs]		
All rights to this drawing reserved in accordance with ISO 16016. Copying and distribution by manufacturer's permission only.	document type: overview drawing	order number: SBT20	
	<b>released</b>		
	status type:	type: Swivel Bracket	
	date	name	
constructed:	23.03.2015	Stefan Ullrich	
drawn:	12.04.2017	Heike Konrad	
checked:			
approved:	15.04.2024	Heike Konrad	
general tolerance ISO 2768-mK ISO 13920-BF ISO 9013-IIA/K according to ISO 8015	edges according to ISO 13715 surfaces (Ra) array 2 array 3 DIN ISO 1302	drawing number: TWA-SBT20-0001	
		revision no.: 1	sheet: 1   3 A3