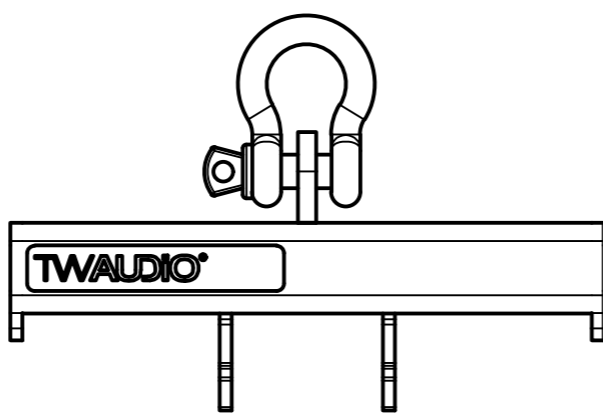
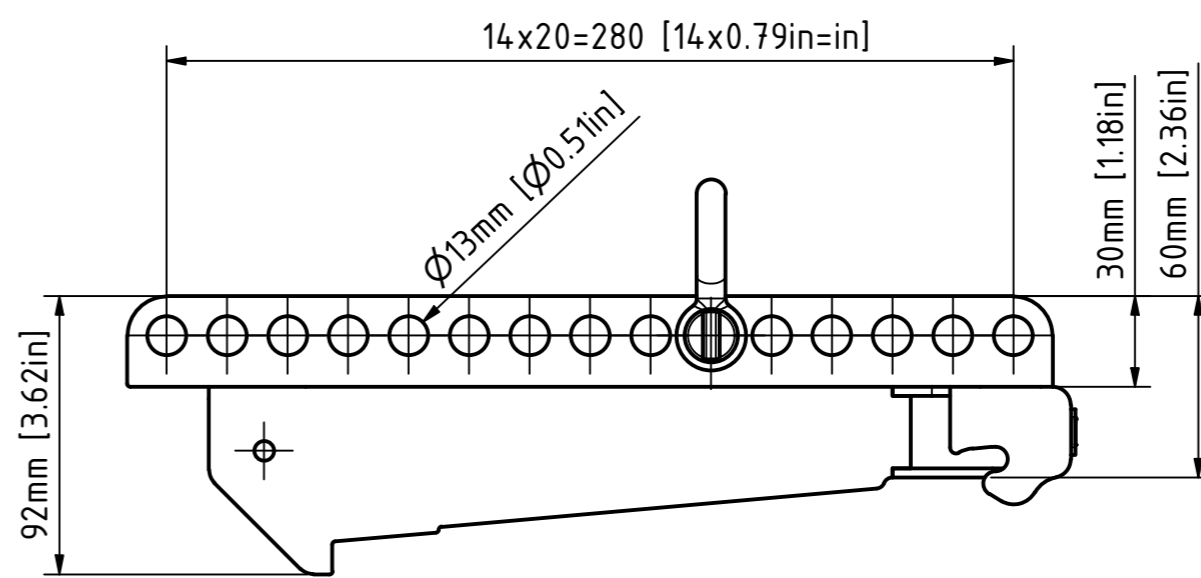


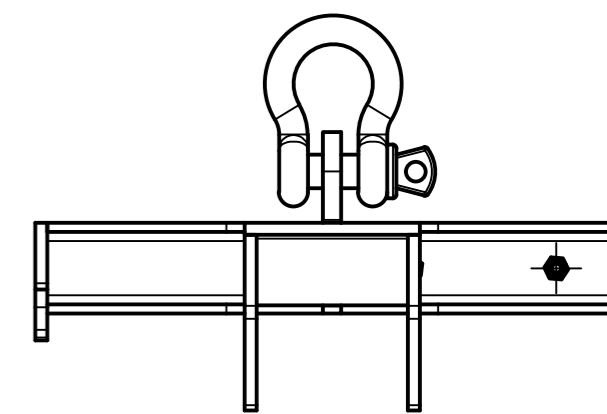
right view



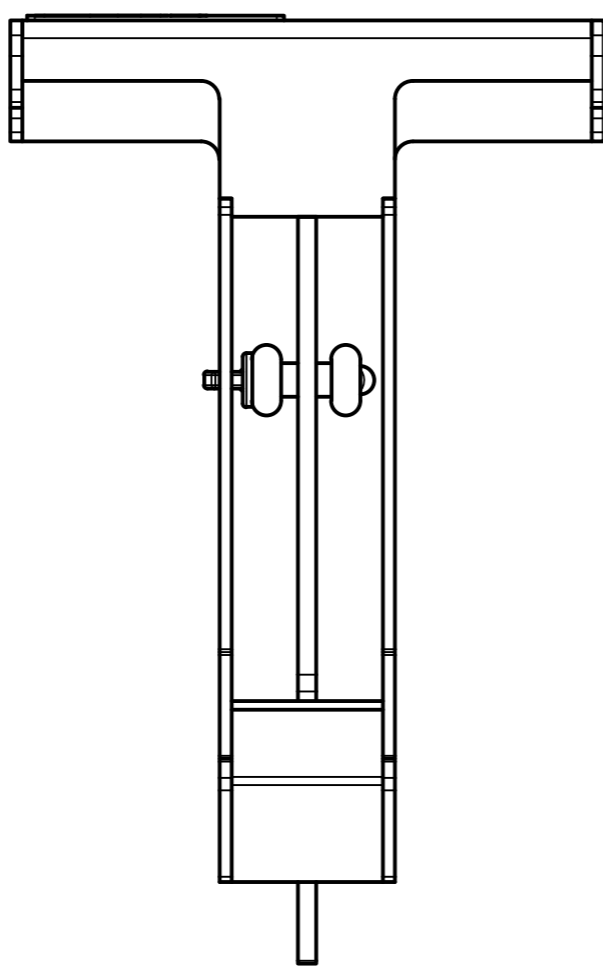
front view



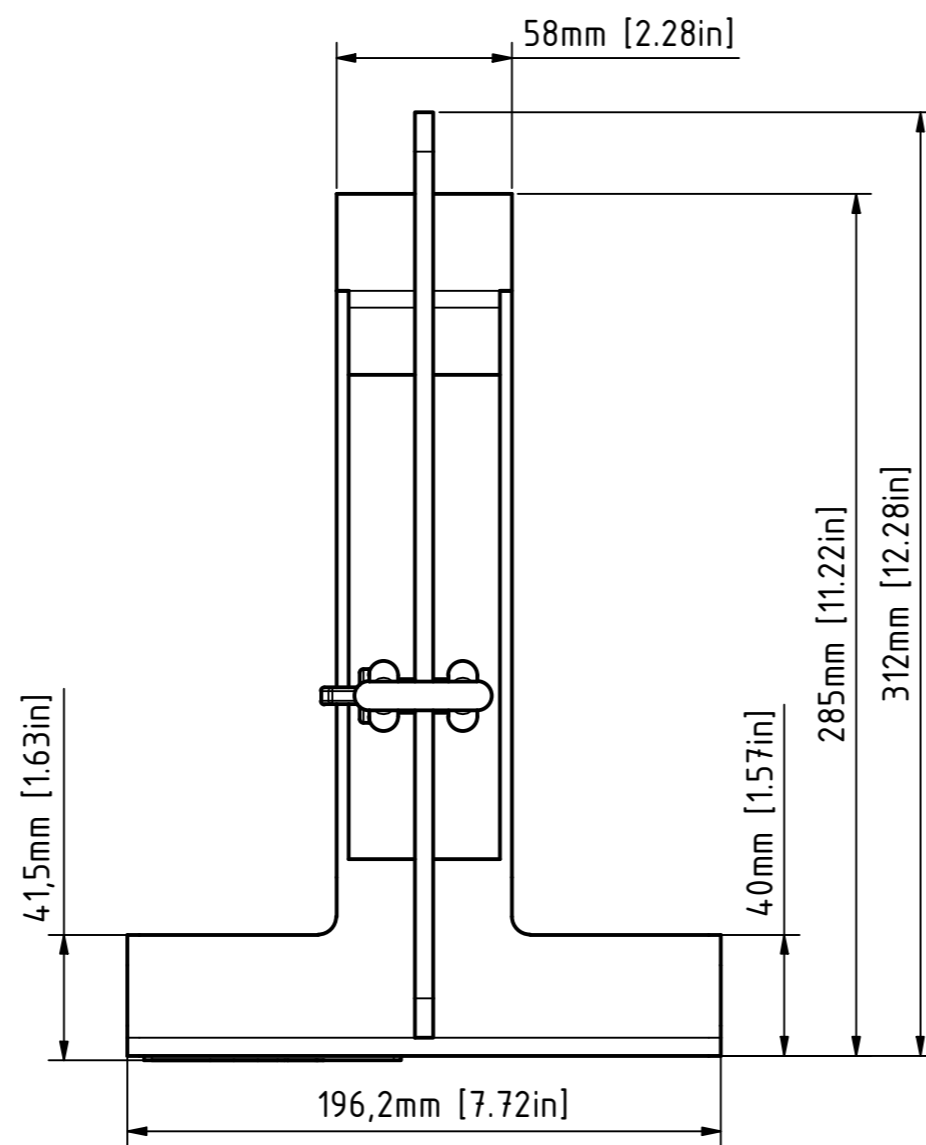
left view



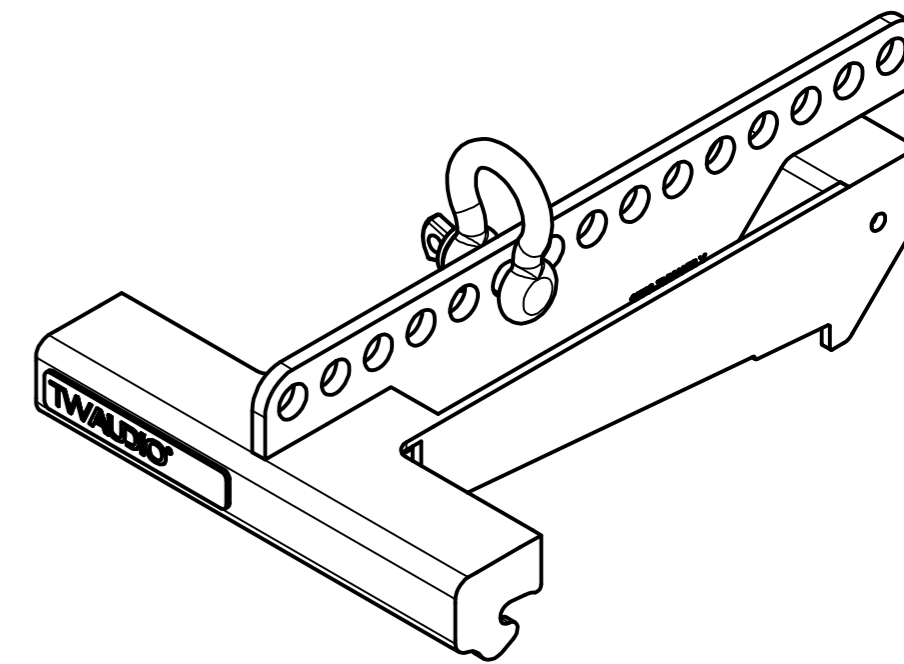
rear view



bottom view



top view



0				23.04.2024	Lukas Buhl
Rev.		Beschreibung		Datum	Geändert von
REVISIONSVERLAUF					
TWAUDIO Karl-Hofer-Str. 42 14163 Berlin www.twaudio.de		scale: 1:2,5			
		weight: 2,03 kg [lbs]			
		document type: overview drawing	order number:		
		status type: released	type: SFE6-II		
All rights to this drawing reserved in accordance with ISO 16016. Copying and distribution by manufacturer's permission only.		date 23.04.2024	name Heike Konrad		
general tolerance ISO 2768-mK ISO 13920-BF ISO 9013-IIA/K according to ISO 8015		constructed 23.04.2024	checked: 23.04.2024		approved: 23.04.2024
edges according to ISO 13715 surfaces (Ra) array 2 array 3 DIN ISO 1302		drawn: 23.04.2024	name Heike Konrad		revision no: 0
		drawing number: TWA-SFE6-II-0001		sheet: 1	of: 1
				Az	